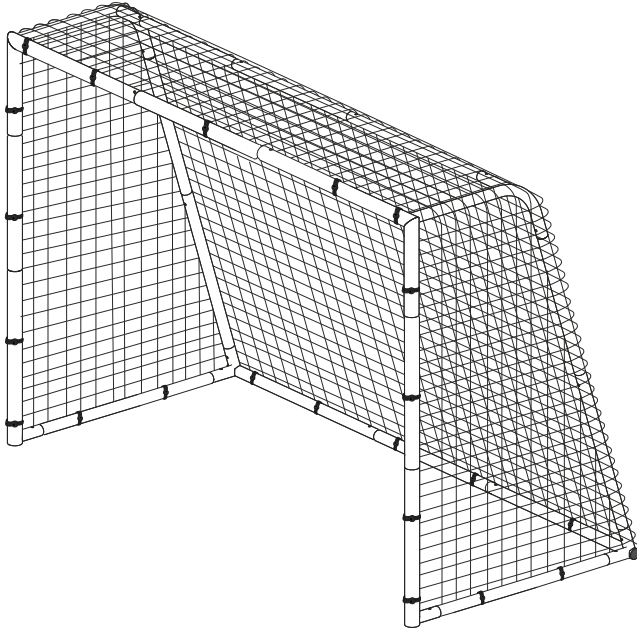


QUICKPLAY
GS GOAL SERIES
INSTRUCTIONS
6X4FT

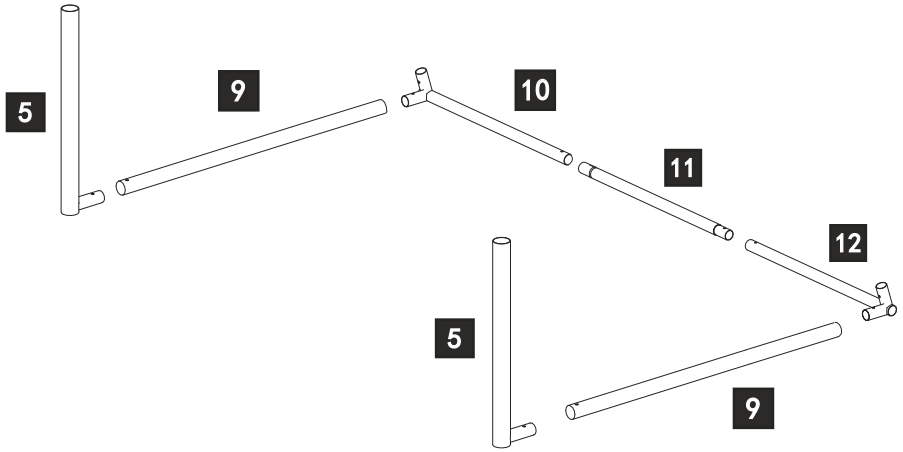


GOT AN ISSUE?
DON'T RETURN
TO THE STORE

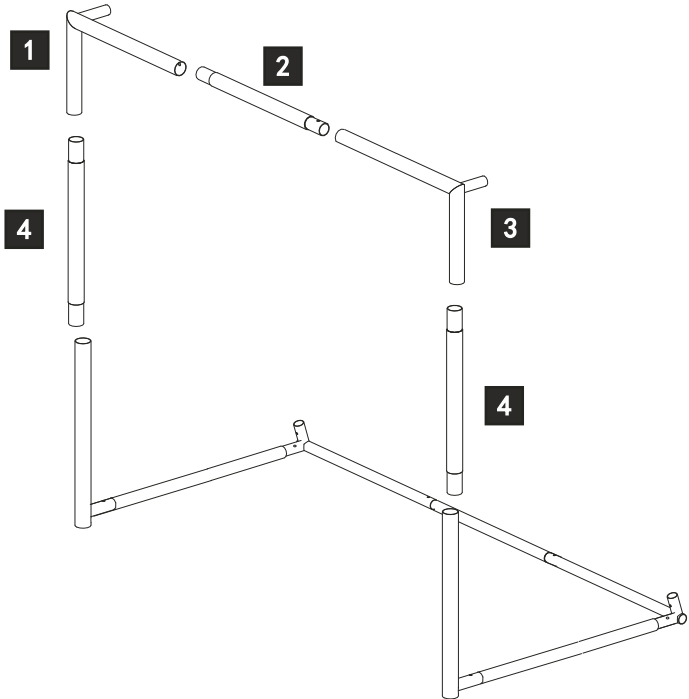
please contact us instead:
support@quickplaysport.com

STEP 1

FRAME ASSEMBLY

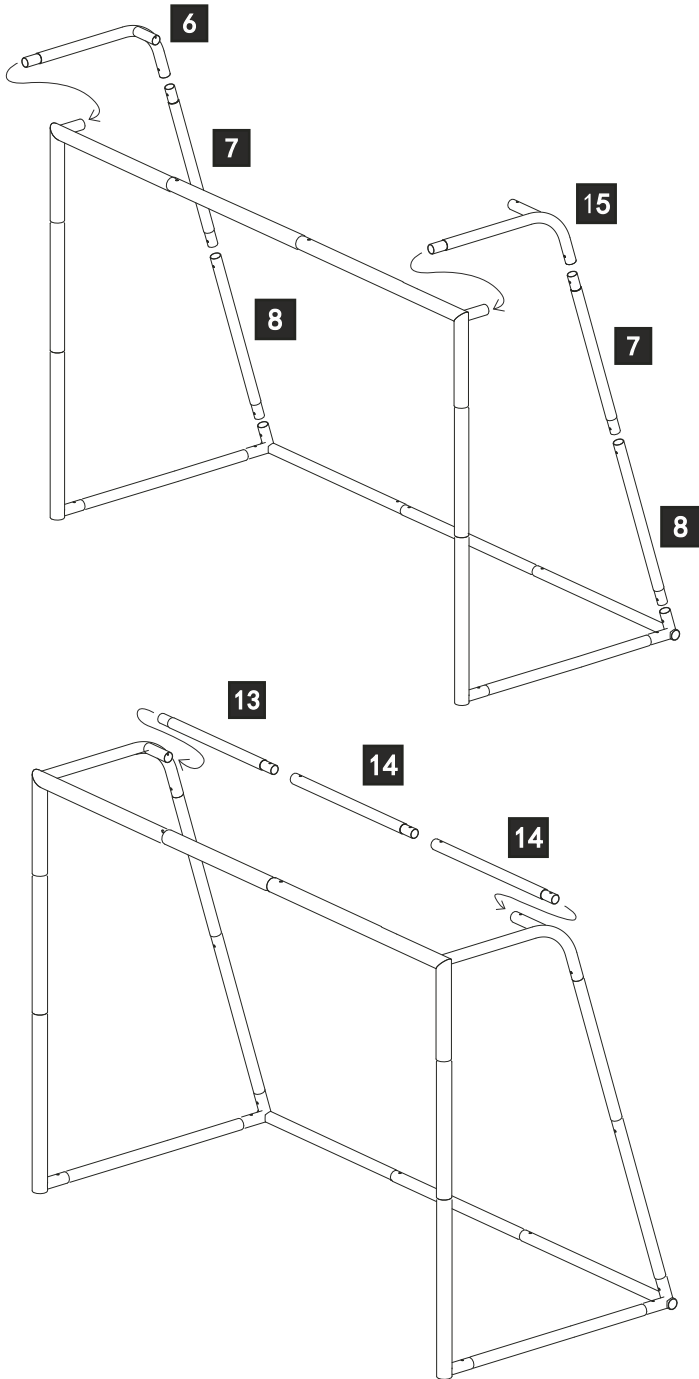


STEP 2



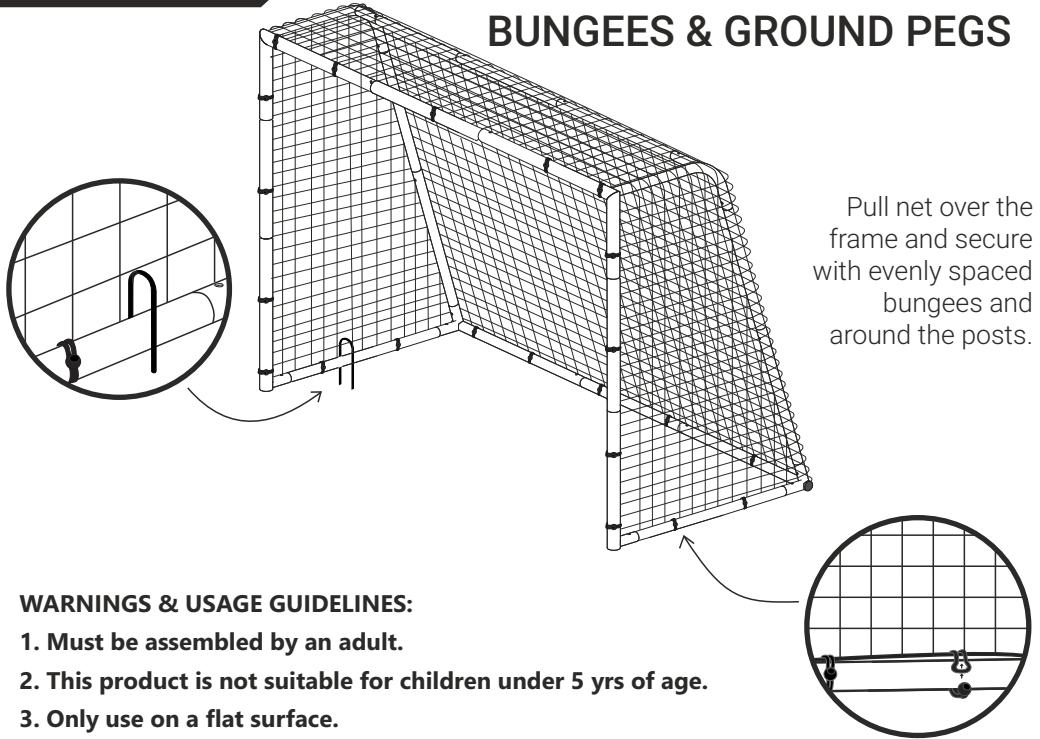
FRAME ASSEMBLY

STEP 3



STEP 4

NET ATTACHMENT BUNGEEES & GROUND PEGS



Pull net over the frame and secure with evenly spaced bungees and around the posts.

WARNINGS & USAGE GUIDELINES:

1. Must be assembled by an adult.
2. This product is not suitable for children under 5 yrs of age.
3. Only use on a flat surface.
4. Check the product is fully assembled before use.
5. Always exercise caution when moving the product.
6. Ensure the product is secured to the ground with the provided U-pegs before use.
7. If using on hard surfaces, anchor with sandbags or goal weights (sold separately).
8. Do not climb or hang on the product.
9. Regularly check the goal for wear and tear. Stop using if any part of it breaks. Failure to do so may result in injury.
10. Not suitable for use in high winds.

1YR PARTS WARRANTY AS STANDARD:

Warranty covers manufacturing defects and workmanship, but excludes nets, bungees, weather wear (e.g rust / rot) and general wear and tear. Please note, non-compliance with the above Warnings & Guidelines will invalidate your warranty. Register your warranty within 15 days of purchase & see full warranty terms at:

Warranty.QuickPlaySport.com

or scan this code:

