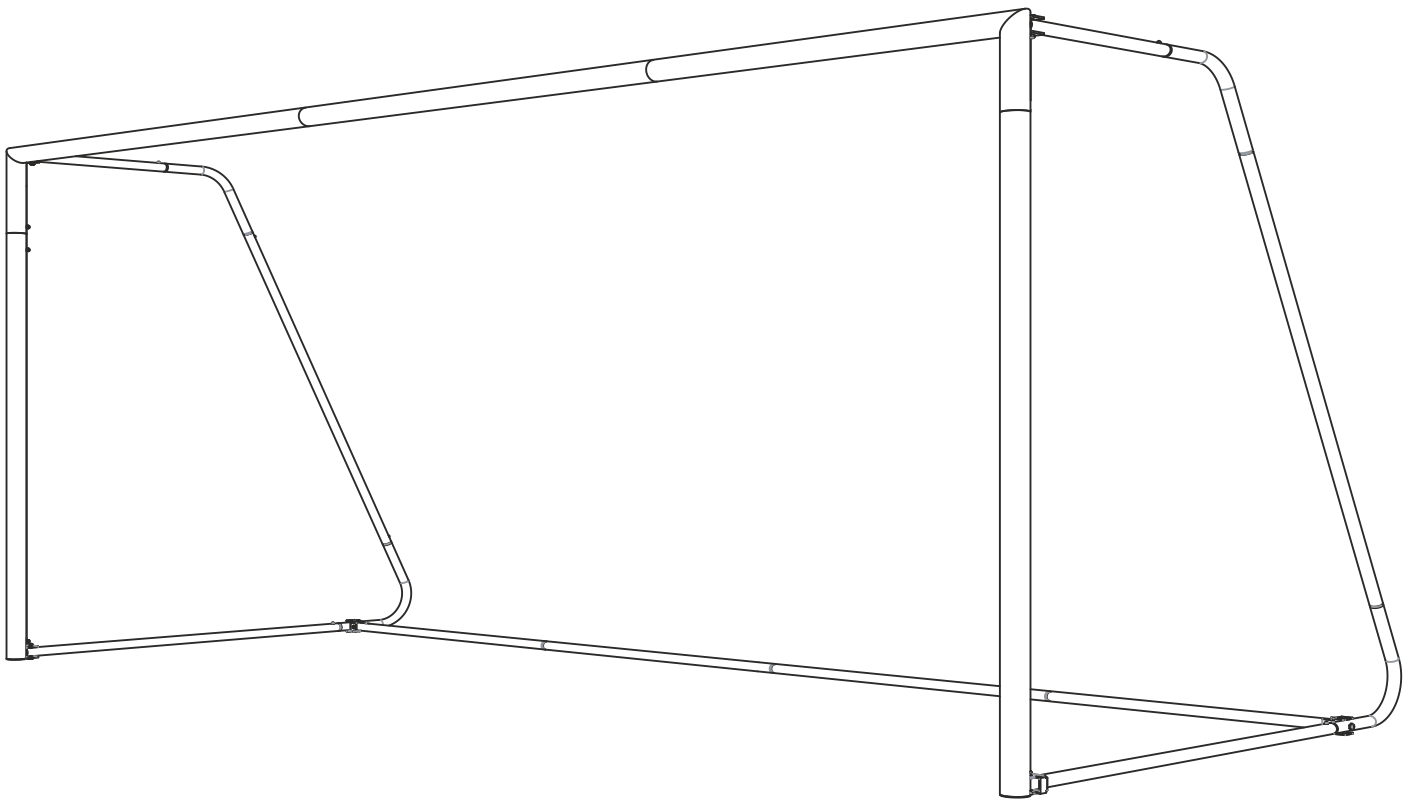


21 x 7FT

PRO ALU MATCH GOAL



QUICKPLAY[®]

@quickplay_sport / @quickplay_soccer

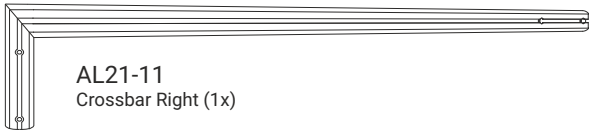
www.quickplaysport.com / www.quickplaysport.us

Customer service: support@quickplaysport.com

PARTS LIST



AL21-1
Crossbar Left (1x)



AL21-11
Crossbar Right (1x)



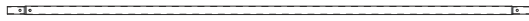
AL21-2
Upright (2x)



AL21-3
Crossbar Section 2 (1x)



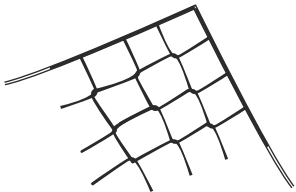
AL21-4
F/F Basebar (2x)



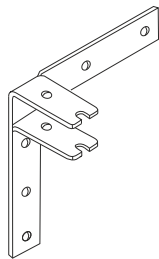
AL21-5
M/M Basebar (1x)



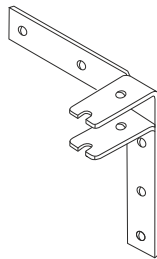
AL21-12
M/F Basebar (1x)



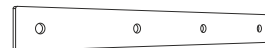
Net (1x)



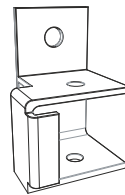
ALU-4
Corner Bracket Left (1x)



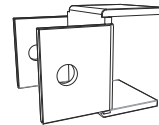
ALU-5
Corner Bracket Right (1x)



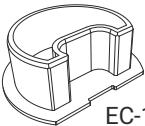
ALU-2
Straight Bracket (4x)



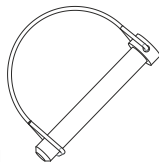
ALU-6
Bottom Bracket Right + Left (2x)



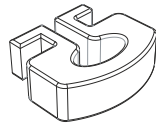
ALU-7
Basebar Bracket Right + Left (2x)



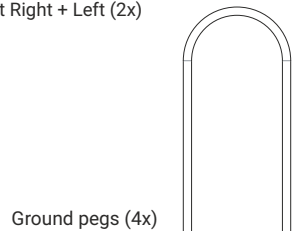
EC-1
End Cap (2x)



SP-1
Securing Pin (4x)



NC-1
Push & Twist clips (x42)



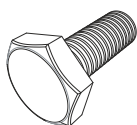
Ground pegs (4x)



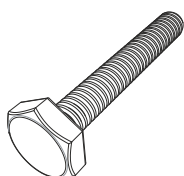
NW-1
Nylon Washers (26x)



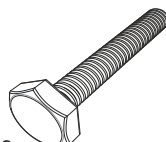
NW-2
Nylon Washers Small (22x)



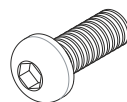
A1
M10 (26x)



B1
M8 (4x)



B3
M8 (2x)



C1
M8 (16x)



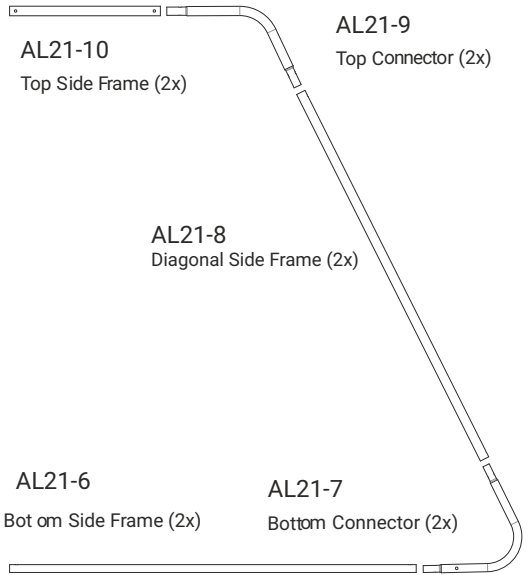
A2
M10 (26x)



B2
M8 (6x)



CTF-1
Cable Ties (66x)



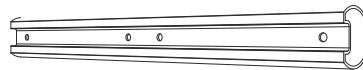
AL21-10
Top Side Frame (2x)

AL21-9
Top Connector (2x)

AL21-8
Diagonal Side Frame (2x)

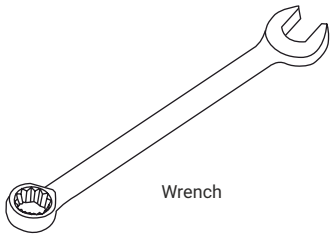
AL21-6
Bottom Side Frame (2x)

AL21-7
Bottom Connector (2x)

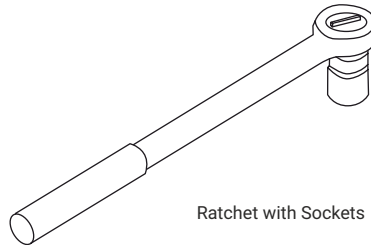


ALU-1
Connector (4x)

HANDY EXTRAS



Wrench



Ratchet with Sockets



Allen Key

WARNING INFORMATION

1. Read through the instruction manual thoroughly before assembling the goal.
2. Check parts for any defects prior to the assembly of the goal.
3. Only use the goal on a flat surface.
4. Ensure due diligence is carried out and a risk assessment followed prior to the assembly of the goal.
5. Safety/warning stickers must be visible at all times.
6. Goals must be anchored at all times.
7. Never climb on the net or the posts.
8. Ensure the goal is checked for any signs of damage prior to use.
9. Use extreme caution when moving the goal.
10. Remove nets when goals are not in use.

1 Year Manufacturer Warranty:

Register your 2 yr warranty within 15 days of purchase
visit: Warranty.QuickPlaySport.com or scan this code: _____



What your warranty covers?

Replacement parts within two years of your purchase date.

In accordance to the warranty guidelines above, failure to follow the methods of disassemble, use and storage will void your two year manufacturer warranty.

Warranty exclusions

- Accidental damage
- Misuse and abuse of product
- Lost merchandise
- Failure to properly care for your product

This excludes products which are clearly marketed as all weather products which are designed to be left outside assembled. Please read the website description for further details.

Should you wish to make a warranty claim please contact customer service with the required details. Please provide the following:

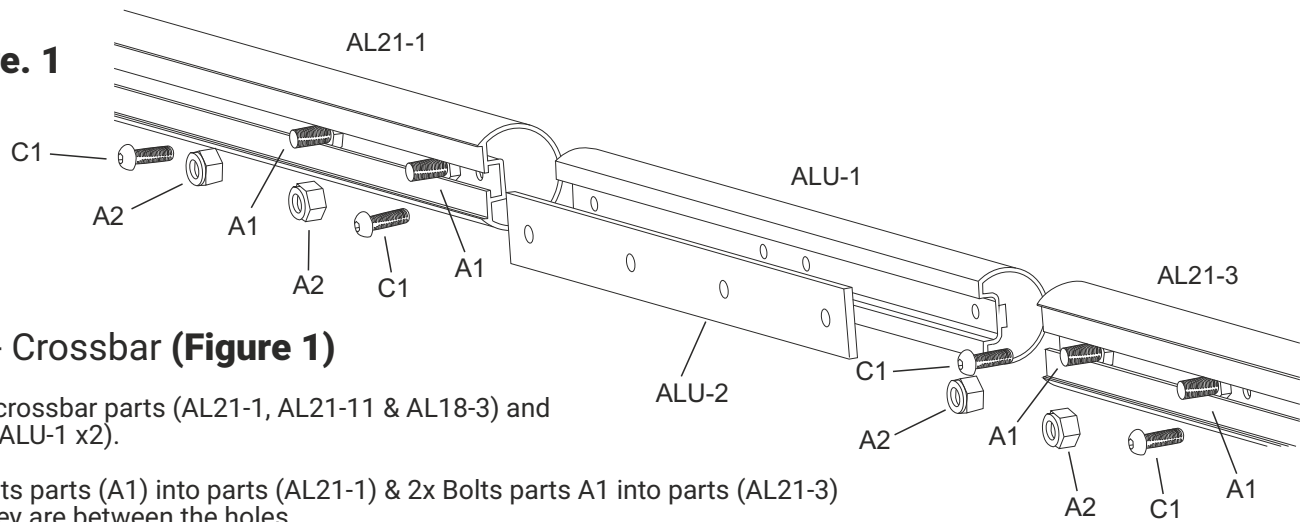
1. Order number
2. Name and full address details
3. Pictures of the fault with a brief description of the problem

Customer service details:

support@quickplaysport.com

PRODUCT ASSEMBLY

Figure. 1



STEP 1 - Crossbar (Figure 1)

Layout the crossbar parts (AL21-1, AL21-11 & AL21-3) and connector (ALU-1 x2).

Slide 2x Bolts parts (A1) into parts (AL21-1) & 2x Bolts parts A1 into parts (AL21-3) ensuring they are between the holes.

Slot the connector piece (ALU-1) into the (AL21-1 & AL21-3) ensuring the holes align, Repeat these steps on the other section of the crossbar with (AL21-11 and AL21-3).

STEP 2 - Crossbar (Figure 2)

2A: Screw 4x Hex bolts (C1) into connector (ALU-1) within (AL21-1) and (AL21-3) ensuring they line up with the crossbar and connector holes. Repeat these steps on the other section of the crossbar with (AL21-11 and AL21-3).

2B: Slide the straight bracket (ALU-2) onto M10 bolts (A1). Screw the Lock nuts (D1) to complete the assembly of the crossbar. Repeat these steps on the other section of the crossbar with (AL21-11 and AL21-3).

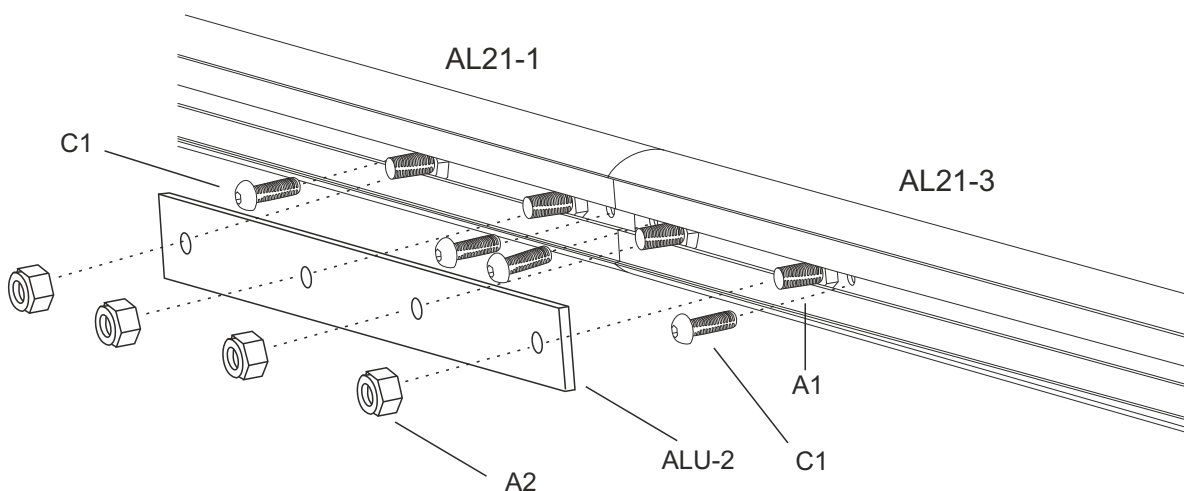
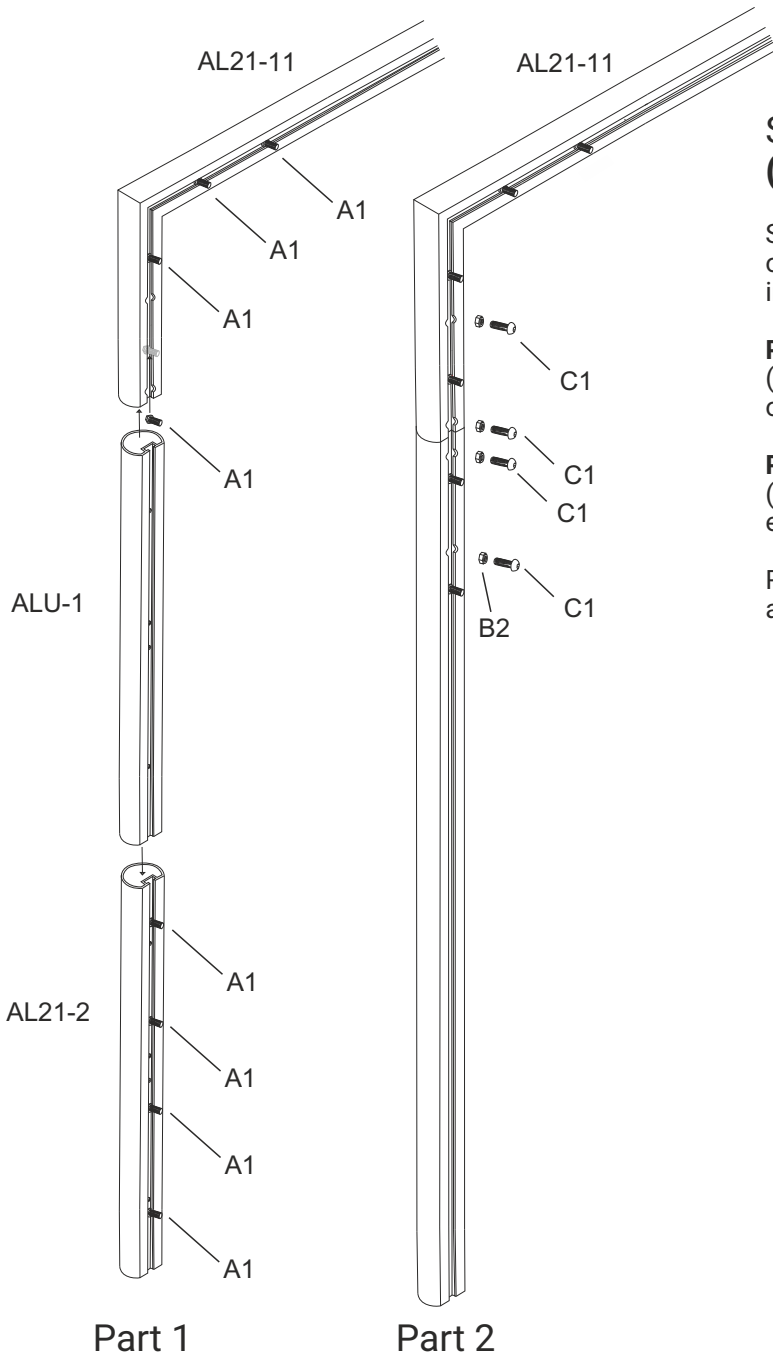


Figure. 2

Figure. 3



STEP 3 - Attach Crossbar to uprights (Figure 3)

Slide 4x M10x25 bolts (A1) into the corner section of the end of the crossbar right (AL21-11). Slide 4x M10x25 bolts (A1) into the (AL21-2) upright.

Part 1: Attach one connector (ALU-1) to the Crossbar right (AL21-11). Then attach one upright (AL21-2) to the other end of the connector (ALU-1).

Part 2: Slot all pieces together and then screw 4x Hex bolts (C1) into connector (ALU-1) within (AL21-1) and (AL21-2) ensuring they line up with the crossbar and connector holes.

Repeat this with the left side of the crossbar with (AL21-1) and AL21-2).

STEP 4 - Fixing Crossbar to uprights (Figure 4)

Part 1: Place the Right corner bracket (ALU-4) onto the corner joint. Ensure the bolts (A1) are positioned correctly and slot through the holes match the drawing shown in (Figure 4, Part 2). Secure the bracket in place with the nuts (A2)

Part 2: Place the straight bracket (ALU-2) over the joint between (AL21-2) and (AL21-11). Ensure the bolts (A1) are positioned correctly and slot through the holes match the drawing shown in (Figure 4, Part 1). Secure the bracket in place with the nuts (A2).

Repeat this for the left corner bracket (ALU-5).

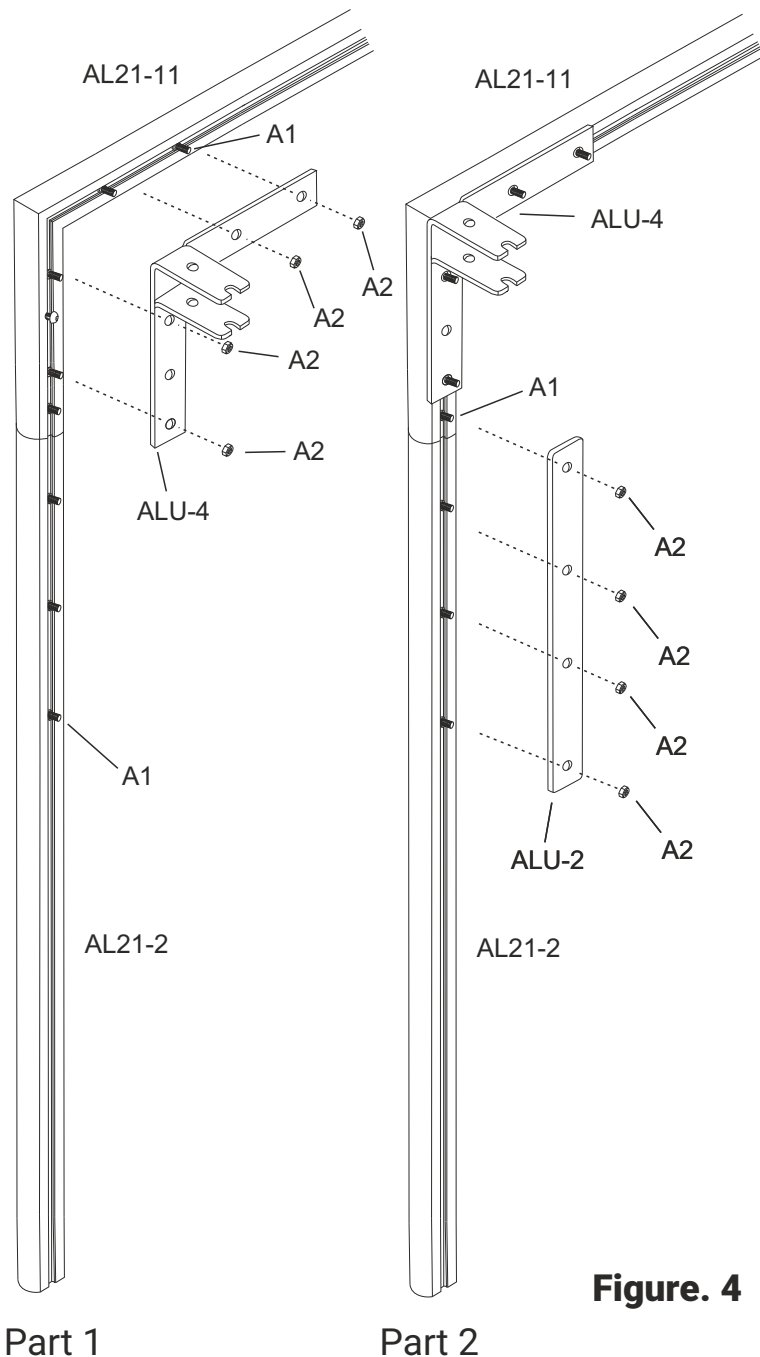


Figure. 4

STEP 5 - Fixing Bottom brackets to uprights (Figure 5)

Slide 1x Bolt (A1) into the base of both uprights (AL21-2)

Place the bottom brackets (ALU-6) onto the Uprights and ensure the (A1) bolt slots through the required hole on the bottom bracket.

Fix the plastic End cap (EC-1) to the bottom of the upright, lightly tap with a mallet to fix in place.

Secure the bottom brackets using the M10 Lock Nut (A2) on each bracket

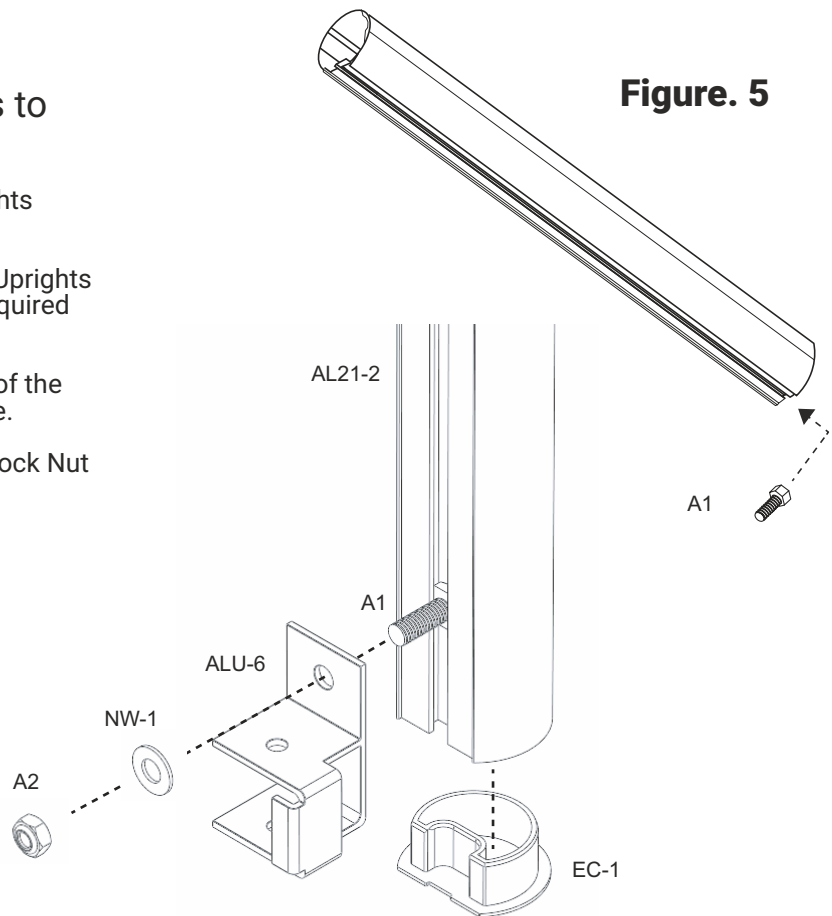
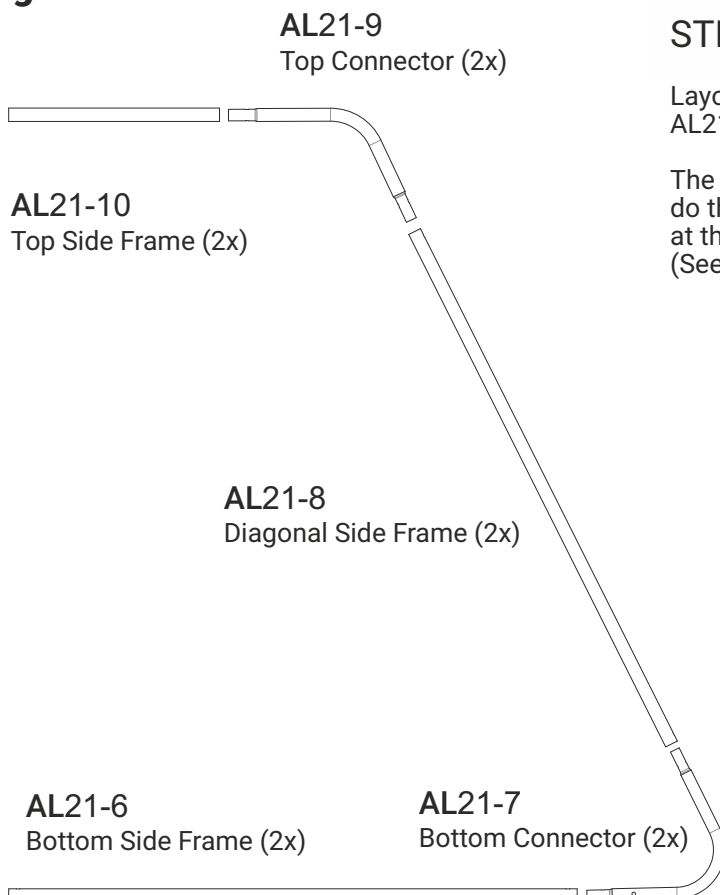


Figure. 5

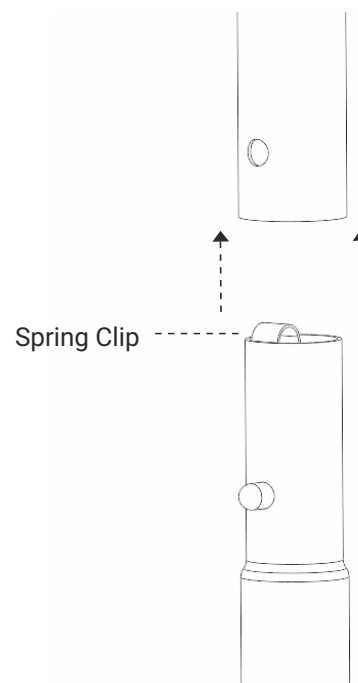
Figure. 6



STEP 6 - Side frames (Figure 6)

Layout all the parts for each side frame (AL21-6, AL21-7, AL21-8, AL21-9, AL21-10)

The parts will need to be attached using the spring clips, to do this push on the spring clip and push the tubes together at the same time. (See diagram below)



STEP 7 - Fix Basebar joints to side frames (Figure 7)

Place the Basebar joint (ALU-7) over the unsecured Bolts (B3)

Secure each Basebar joint to the bottom side frame (AL21-6) with an lock nut (B2)

Figure. 7

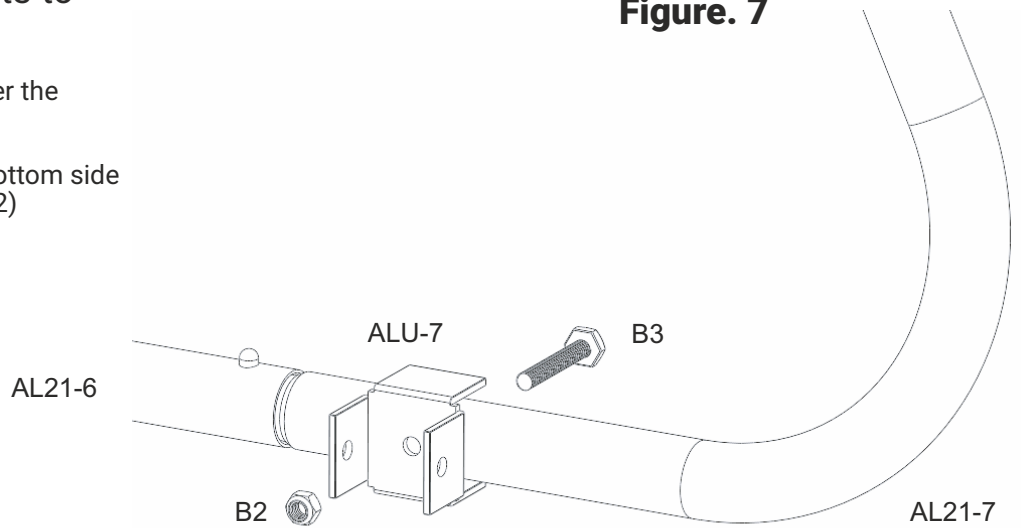
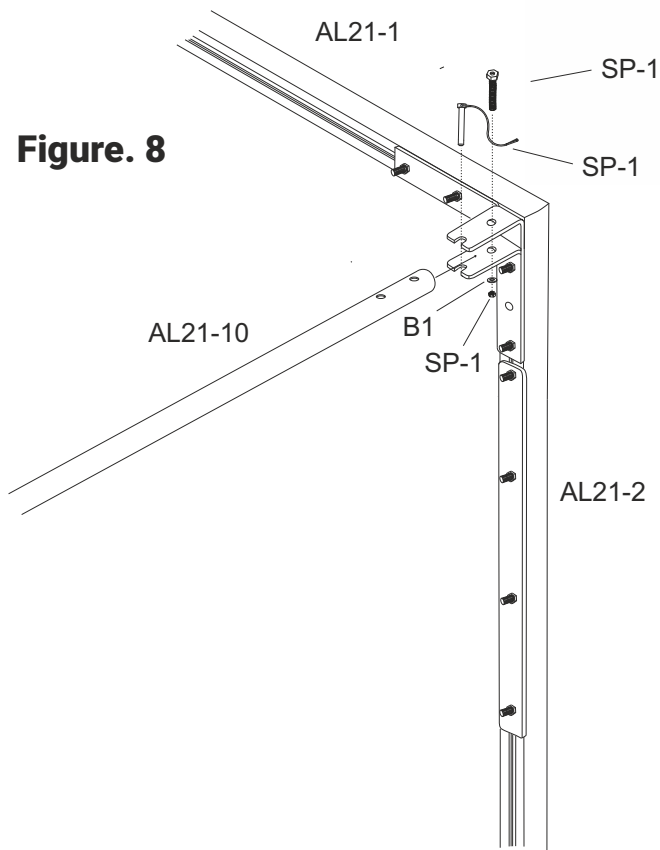


Figure. 8



STEP 8 - Attach Side frames to Goal Frame (Figure 8)

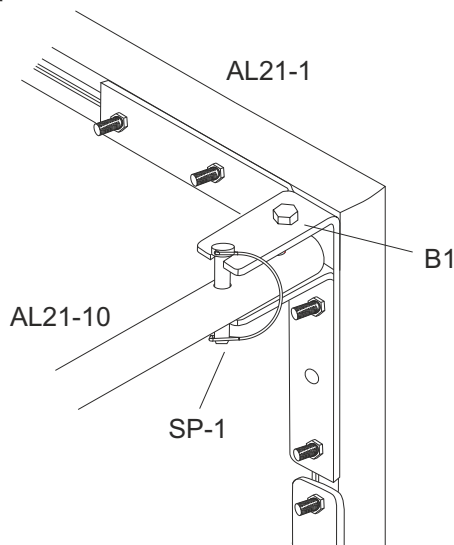
Position the top of the side frame (AL21-10) so that the holes line up with the corner brackets (ALU-4, ALU-5)

Place the Bolt (B1) through the top of the hole as per diagram. Then add a spring pin to the front hole to secure in place.

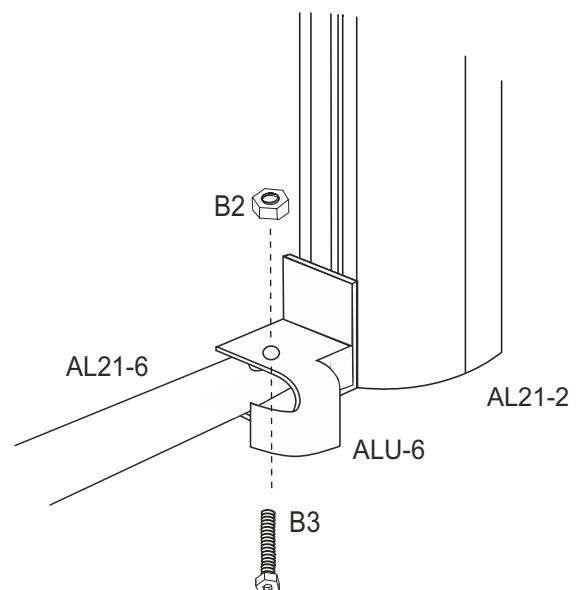
Secure the Bolt (B1) with the Lock Nut (B2)

Repeat the process on the bottom brackets

Top Corner



Bottom Corner

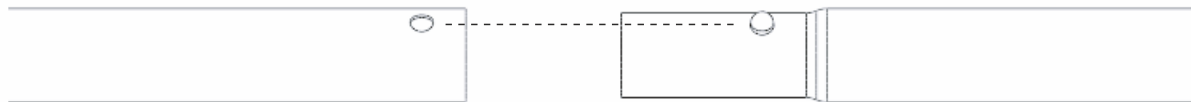


STEP 9 - Side frames (Figure 9)

Slot Basebar pieces (AL21-4, AL21-5 & AL21-5a) together.

The parts will need to be attached using the spring clips, to do this push on the spring clip and push the tubes together at the same time.
(See diagram below)

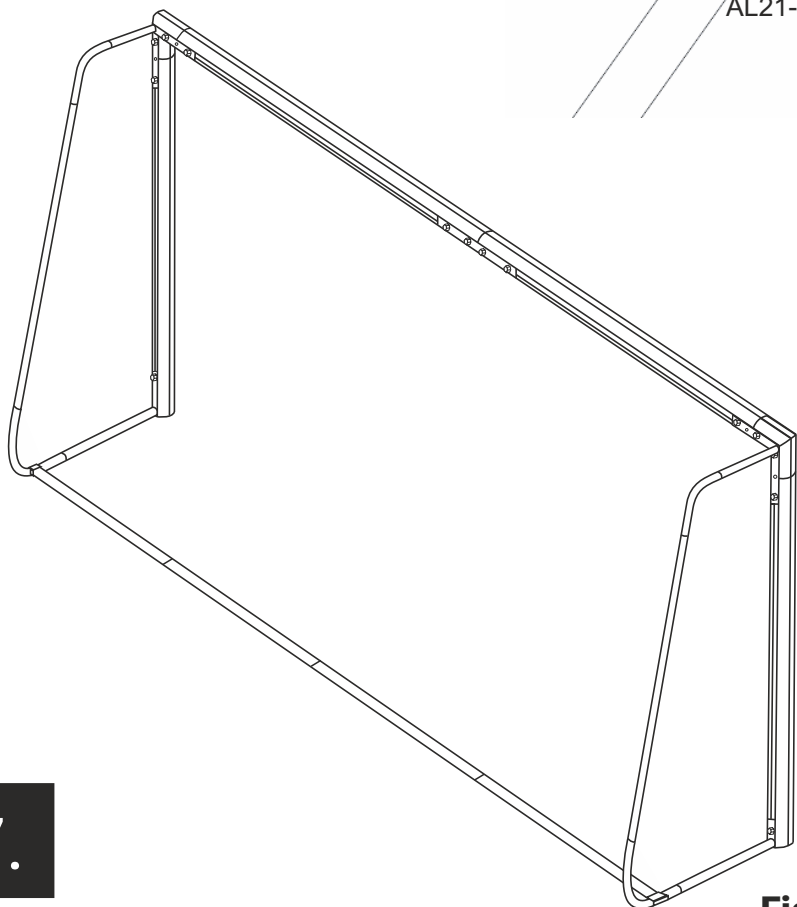
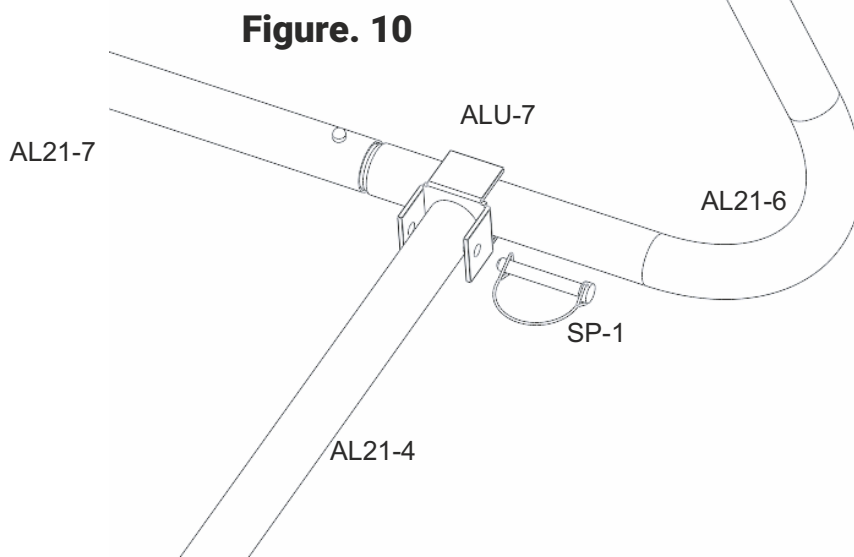
Figure. 9



STEP 10 - Secure the Basebar to side frame (Figure 10)

Place the connected Basebar within the Basebar joints (ALU-7)

Use the Securing Pins to fasten the Basebar into place.s



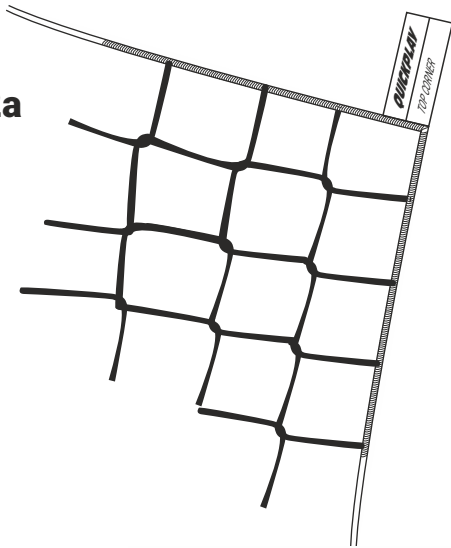
STEP 11 - Final assembly check

Please ensure frame is fully assembled and no screws or bolts are loose.

All bolts or screws must be fastened tight. Otherwise this may result in injury.

Figure. 11

Figure. 12a



STEP 12 - Attaching the Net

Place the net over the frame, denote that 'Top Corner' tabs as per (Figure 12a).

Attach net the to the frame using the net clips (NC-1). The push and twist technique is shown in the (Figure. 12b)

Figure. 12b

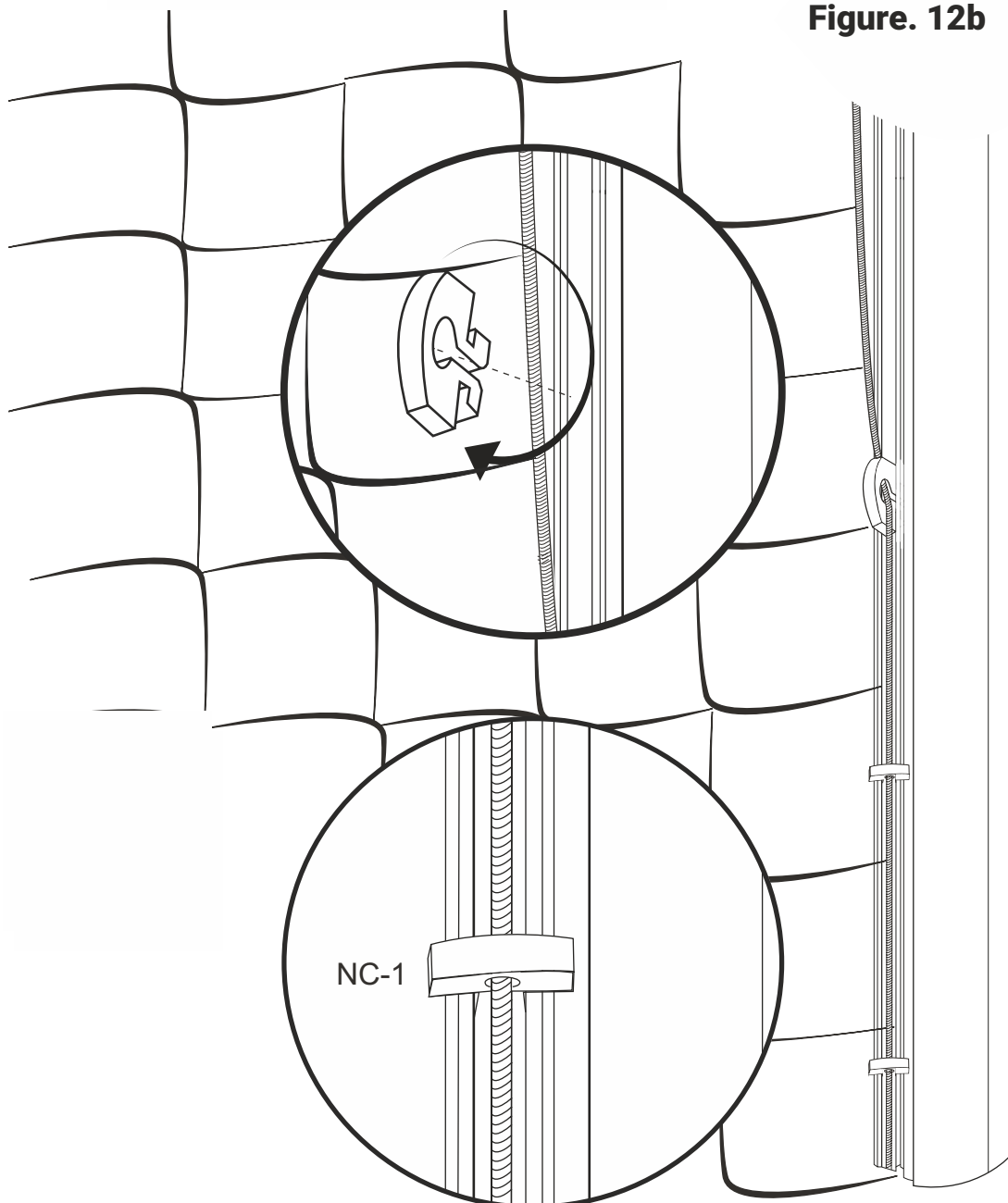
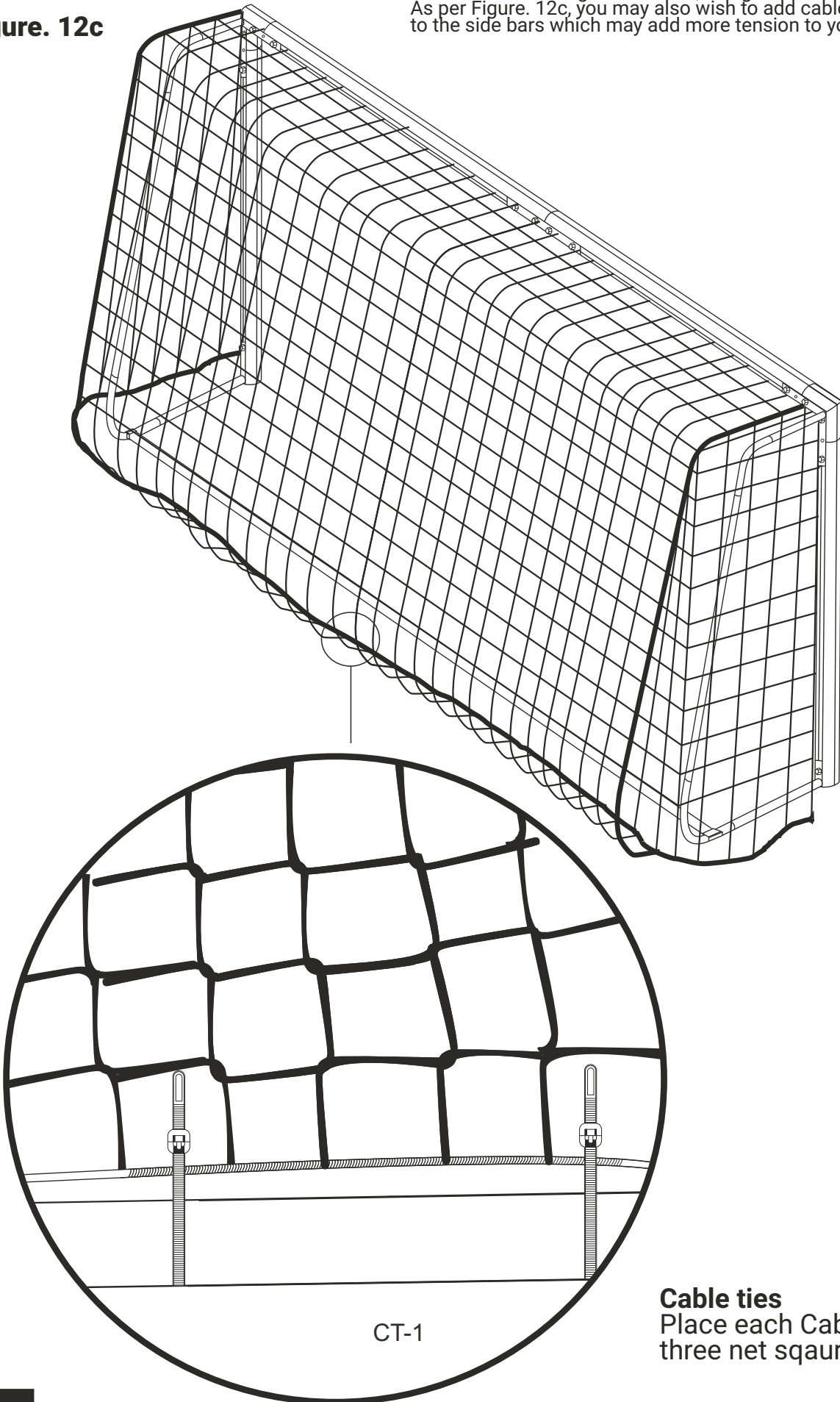


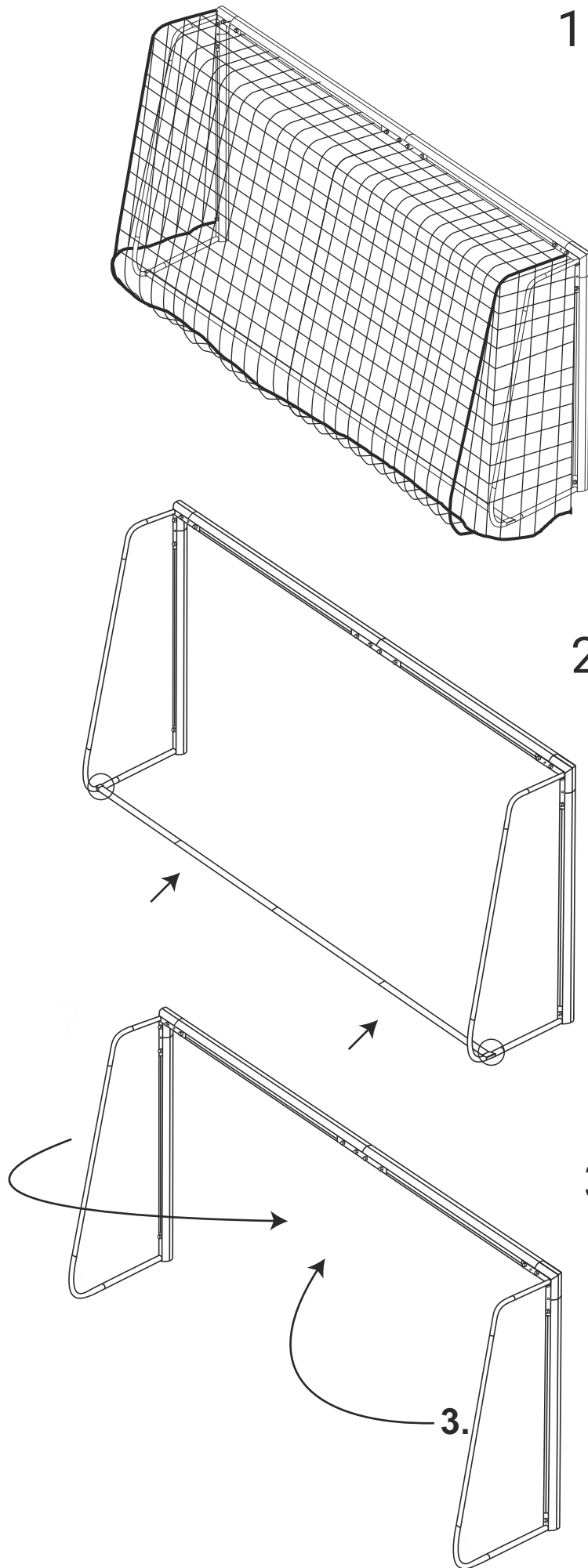
Figure. 12c

Secure the net along the Basebar, using the cable ties (CT-1),
As per Figure. 12c, you may also wish to add cable ties
to the side bars which may add more tension to your goal



Cable ties
Place each Cable tie
three net squares apart

FOLD AWAY



1. Undo Cable ties connecting the net to the Basebar

2. Undo securing pin from Basebar brackets, then remove Basebar.

3. Fold Sidebars inwards 90 degrees towards the crossbar.

3.