



RELAY RACK CARGO PLATFORM

OVERVIEW AND KIT INSTALLATION GUIDE

© 2021 Juiced Bikes All Rights Reserved R20210311-001

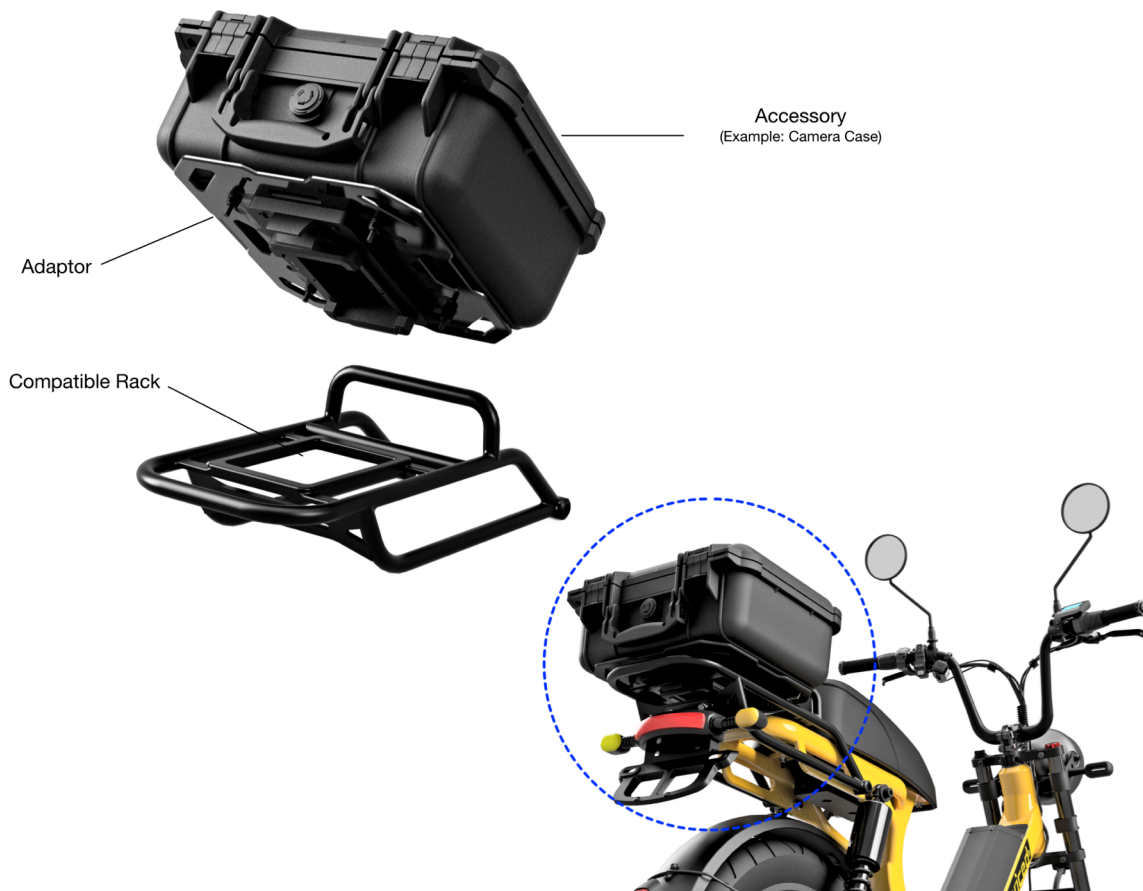
INTRODUCTION

RelayRack Cargo Platform Overview

The RelayRack Cargo Platform allows you to quickly mount and remove accessories such as bags, baskets and other gadgets to your e-bike without the use of straps, fasteners or bungee cords.

Another advantage of the platform is that cargo can be quickly removed if not needed for a particular trip allowing the e-bike to be lighter for increased range, improved maneuverability or more compact storage.

Additionally, cargo and accessories mounted on the RelayRack Cargo Platform are interchangeable between bikes equipped with a RelayRack compatible rack.



Accessory Platform

Below are some examples of accessories that can take advantage of the RelayRack system. The accessories can be quickly swapped out depending on purpose of the trip. Some of these accessories are made by Juiced Bikes while some other accessories are readily available on the market.

| | | |
|---|--|---|
|  <p>Bicycle Bags</p> |  <p>Wire Baskets</p> |  <p>Dairy Crates</p> |
|  <p>Custom Baskets</p> |  <p>Cases</p> |  <p>Pet Carriers</p> |
|  <p>Wood Crates</p> |  <p>Trays</p> |  <p>Food Delivery Boxes</p> |
|  <p>Delivery Carriers</p> |  <p>Trunks</p> |  <p>Helmet Bags</p> |

The “open platform” design allows you to select the cargo or accessory that best fits your needs.



Note: The RelayRack platform is not compatible with passenger seats or child carriers.

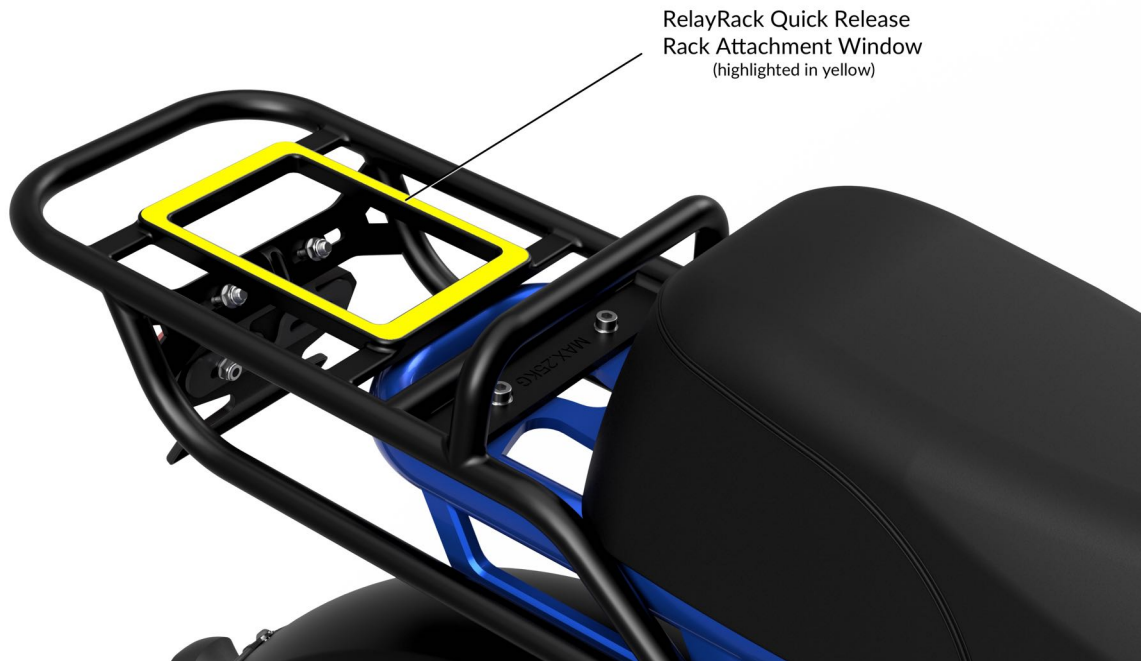
The RelayRack Cargo Platform includes the following main parts

1. RelayRack compatible bike rack (Required)
2. RelayRack Quick Release Adaptor (Required)
3. Universal Cargo Mounting Plate (Optional)
4. Cargo Support Plate (Optional)







1. RelayRack compatible bike rack (Required)

A RelayRack compatible e-bike rack will feature a special bracket or “window” that is built into the frame of the rack. This window will allow the Quick Release Adaptor to securely engage in and out of the rack.



RelayRack E-bike compatibility

Some Juiced e-bike models come standard with a RelayRack, while other models can be retrofitted post sale.

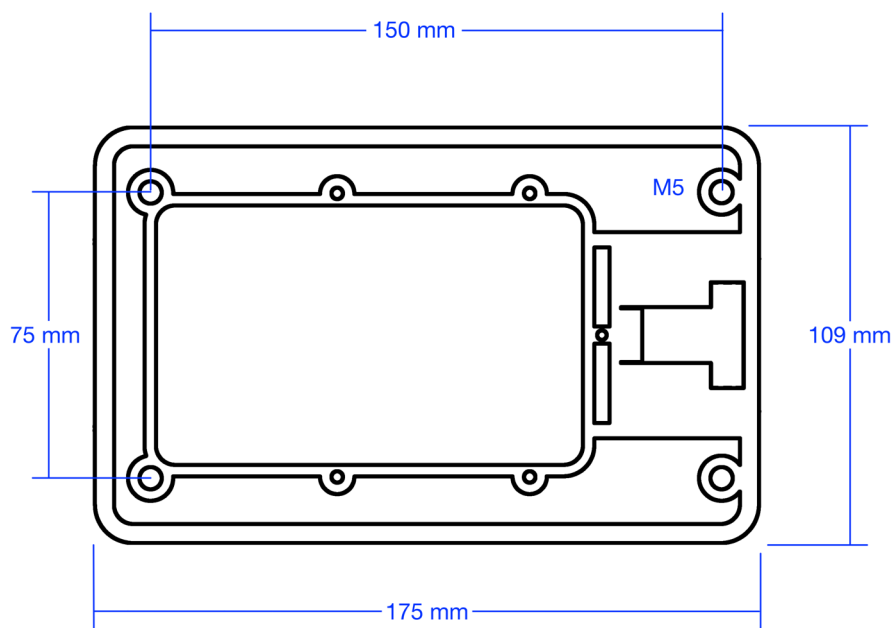
| Compatible RelayRacks for individual e-bike platforms | | | |
|---|---|--|---|
|  |  |  |  |
| CrossCurrent | RipCurrent | Scorpion | HyperScrambler 2 |

2. RelayRack Quick Release Adaptor (Required)

The Quick Release Adaptor is an ABS base with a spring-loaded slide lever and 150 mm x 75 mm hole spacing. This adaptor engages directly into a RelayRack compatible bike rack. Your cargo or accessory can be mounted to the adaptor, however if you have heavier or bulky cargo. You may need to use the Universal Cargo Mounting Plate and/or the Cargo Support Plate.



Part Dimensions



Quick Release Adaptor

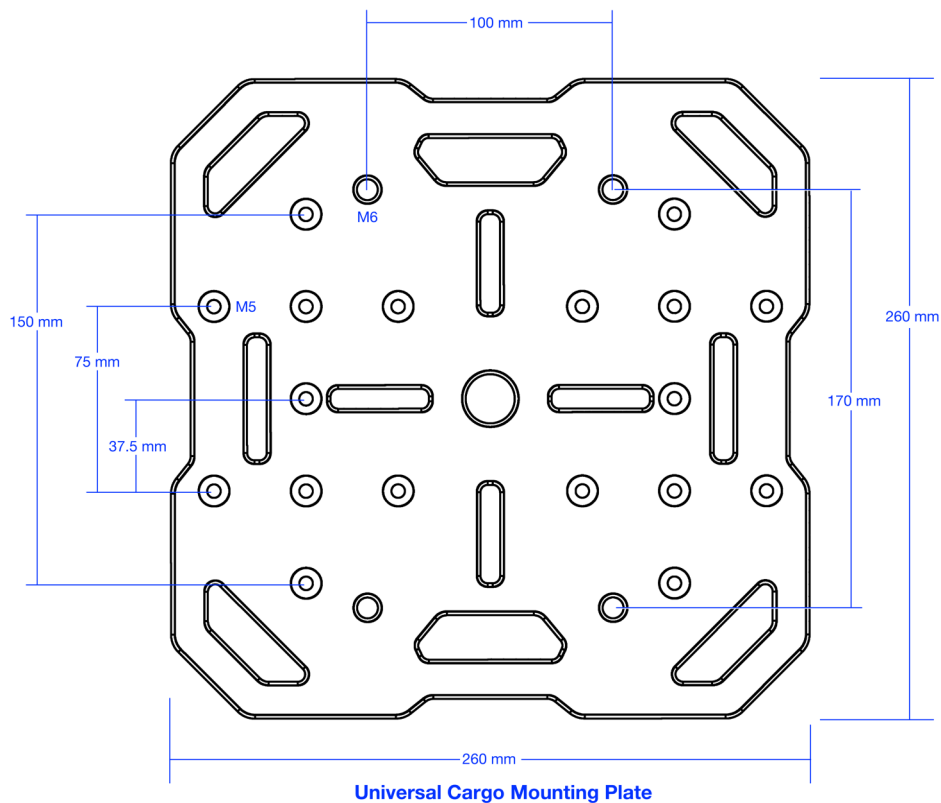
3. Universal Cargo Mounting Plate (Optional)

The Universal Cargo Mounting Plate may be used for cargo that does not have a rigid base or heavier cargo that cannot be mounted directly to the Quick release adaptor. The Quick Release Adaptor is first mounted to the Universal Cargo mounting plate, then your cargo is mounted to the Universal Cargo Mounting Plate.



The Universal Cargo Mounting Plate has several mounting points for your cargo. Additionally the Quick Release Adaptor can be mounted in different orientations and positions for optimal weight distribution.

Part Dimensions



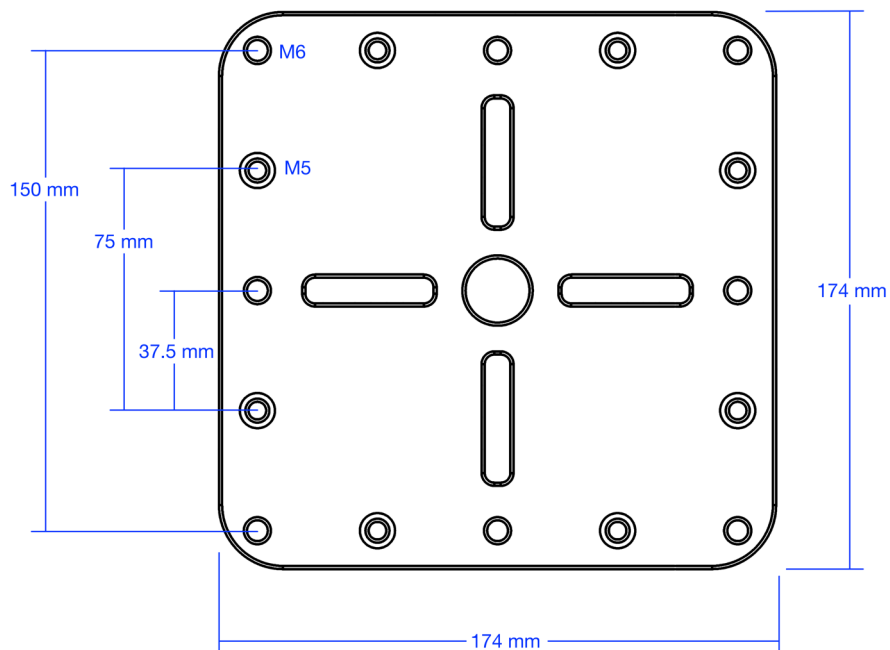
4. Cargo Support Plate (Optional)

Some larger types of cargo feature a non-rigid base, in this situation, it may be necessary to use the Cargo Support Plate. This plate clamps the cargo between the Universal Cargo Mounting plate and the cargo support plate to create a flat and stable solid foundation for your payload.



The Cargo Support Plate also has a 150 mm x 75 mm hole spacing that can be used to mount directly to the Quick Release Adaptor for smaller payloads which do not need a wide support base.

Part Dimensions

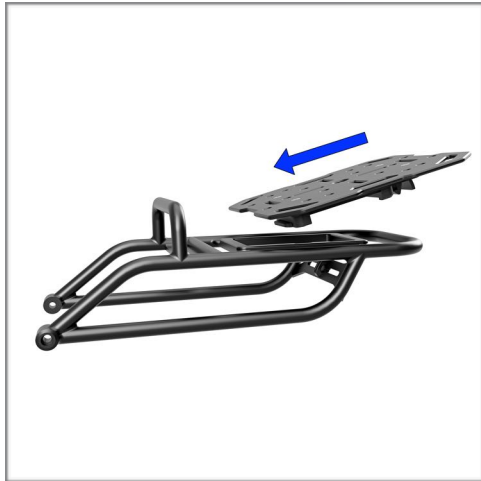


Cargo Support Plate

Mounting and Unmounting Cargo to the RelayRack Equipped E-bike

Once your cargo is securely attached to the RelayRack Adaptor, it can be easily mounted and unmounted to any bike with a RelayRack compatible rack.

Mounting Cargo to your RelayRack Equipped E-bike



Insert the front end of the Quick Release adaptor into the rack's quick release window.



Push down on the back end of the adaptor until you hear a click to indicate the adaptor has engaged with the rack.



Check to make sure your cargo is secure to the rack before starting your trip.

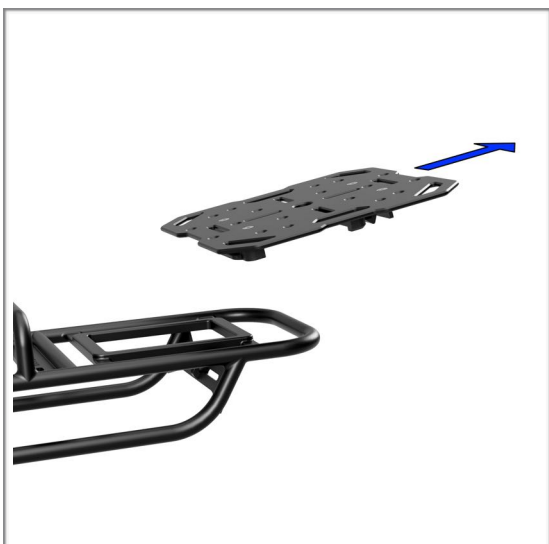
Unmounting Cargo to your RelayRack Equipped E-bike



Pull the spring-loaded release lever back.



Tilt the cargo up to disengage the Quick Release Adaptor from the rack.



The adaptor and cargo can be now be completely removed from the vehicle and/or mounted to a different RelayRack compatible e-bike.

RelayRack Universal Adaptor Kit

If you purchased the RelayRack Universal Adaptor Kit, the following parts will arrive with the kit.

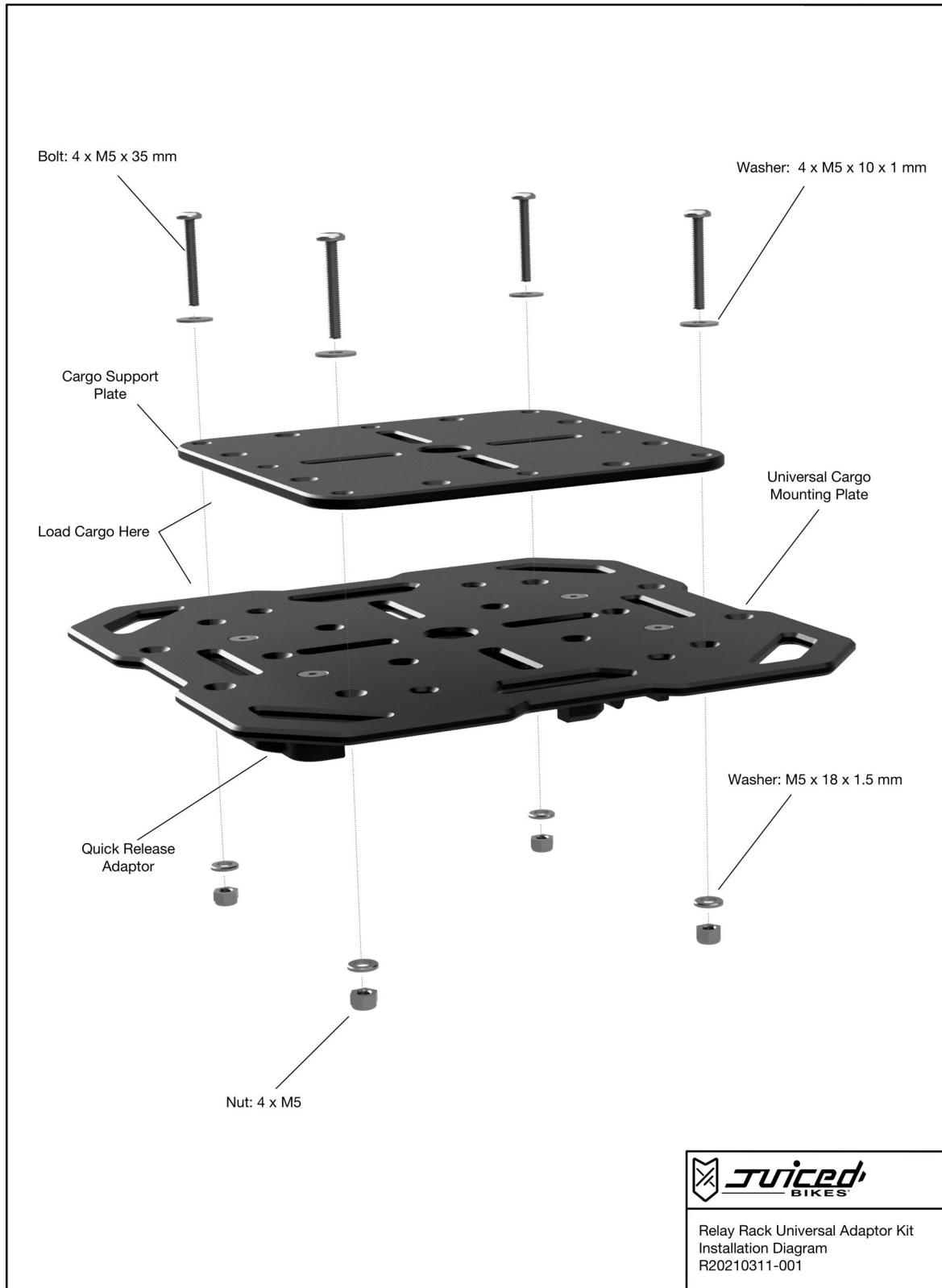
| # | Image | Part | Specification | Qt. |
|---|---|--------------------------------|---|-----|
| 1 |  | Quick Release Adaptor | WMS Adaptor (Walleräng Modular System) Quick Release Adapter Includes Mounting Hardware | 1 |
| 2 |  | Universal Cargo Mounting Plate | Universal Cargo Mounting Plate Custom CNC Milled Aluminum 23 Hole Pattern Black Powder Coated | 1 |
| 3 |  | Cargo Support Plate | Cargo Support Plate Custom CNC Milled Aluminum 17 Hole Pattern Black Powder Coated | 1 |
| 4 |  | Bolt | Bolt M5 x 35 mm Stainless Tool: 4 mm Hex Tool | 4 |
| 5 |  | Nut | Nut M5 Nylon Insert Stainless Tool: 8 mm Wrench | 4 |
| 6 |  | Washer Large | Washer M5 x 10 x 1mm Stainless | 4 |
| 7 |  | Washer Small | Washer M5 x 18 x 1.5 mm Stainless | 4 |

 **Note:**

- 8 mm Wrench and 4 mm Hex Key is included with the kit.
- The Quick Release Adaptor comes attached to the Universal Cargo Mounting Plate.
- The rack has a maximum payload of 25 kg (50 lbs)

RelayRack Universal Adaptor Kit Installation Diagram

Below is the installation diagram for the RelayRack Universal Adaptor Kit's included hardware.



Relay Rack Universal Adaptor Kit Dimensions

The diagram below provides the dimensions of the RelayRack adaptors.

