



BATTERY UPPER INTERFACE V3 SERVICE KIT (52V)

ASSEMBLY GUIDE

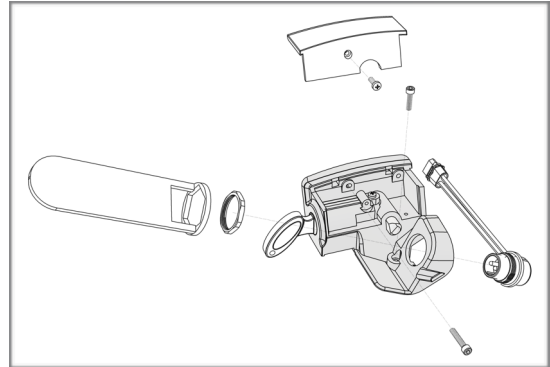
© 2020 Juiced Bikes All Rights Reserved R20201216

INTRODUCTION

The Battery Upper Interface V3 Service Kit contains all the parts and tools necessary to perform the following service steps.

- Replace the entire battery upper interface
- Replace the male discharge port
- Replace the discharge cable
- Interface key core replacement

An instruction video can be viewed by scanning the following QR code below.













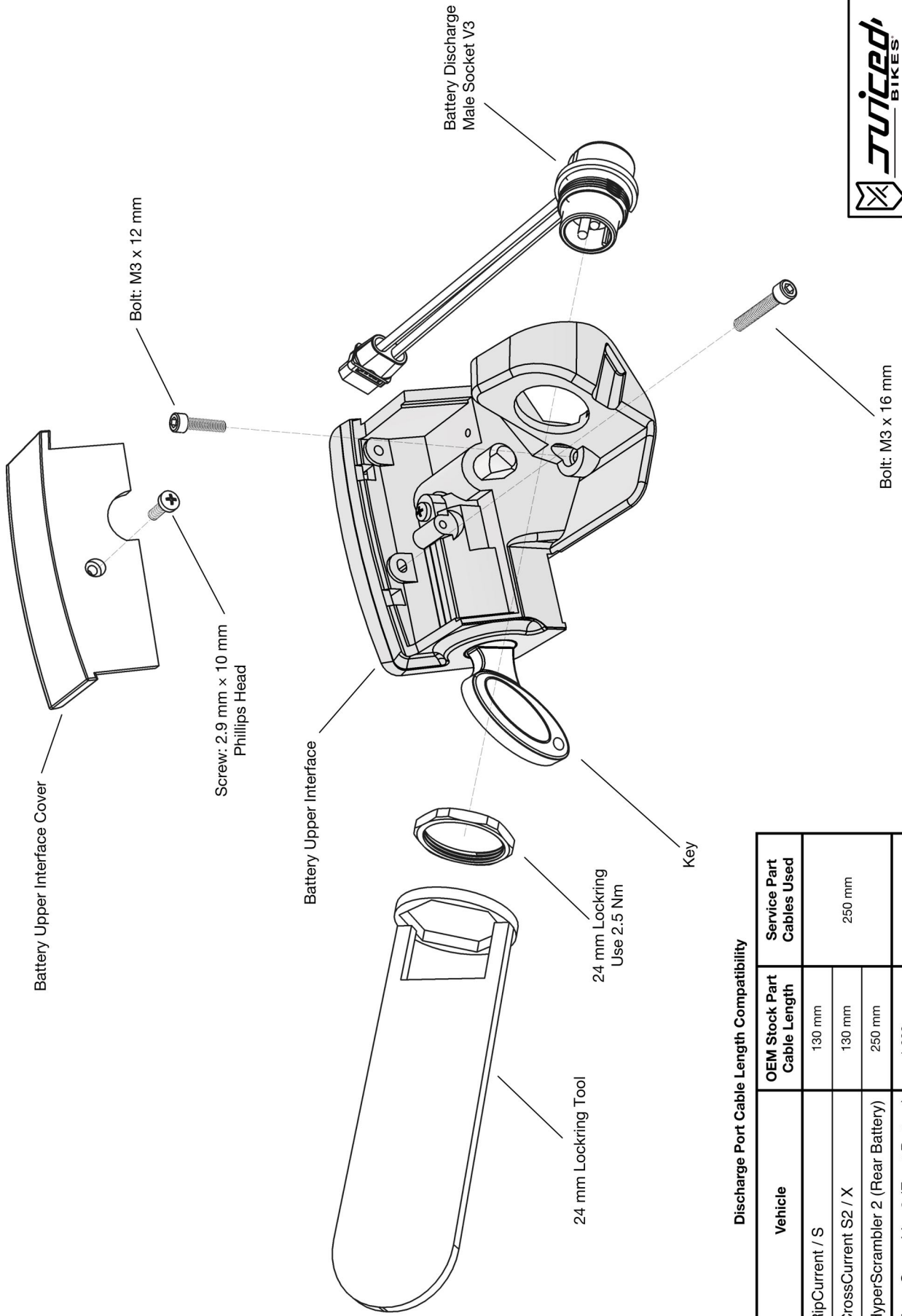
Use your smartphone to scan the QR code to watch the installation video.

The kit includes an XT60 extension cable that may be required depending on the vehicle model being serviced.

Vehicle	OEM Stock Part Cable Length	Service Part Cables Used
RipCurrent / S	130 mm	250 mm
CrossCurrent S2 / X	130 mm	
HyperScrambler 2 (Rear Battery)	250 mm	
HyperScrambler 2 (Front Battery)	1,600 mm	1,750 mm (250 +1,500 mm)
Scorpion / HyperScorpion	1,300 mm	
Scrambler	1,750 mm	

The parts below are included in the Battery Upper Interface V3 Service Kit.

#	Image	Item	Specification	Qt.
1		Battery Upper Interface	Battery Upper Interface Wide Format Without Discharge Port Includes 3 Keys	1
2		Battery Discharge Male Socket V3 250 mm	Battery Discharge Socket 2 Pin Male Right Angle XT60 Version 3 250 mm	1
3		XT 60 Extension Cable	XT 60 Extension Cable 1,500 mm	1
4		24 mm Battery Lockring	24 mm Nut Stainless Steel Use 2.5 Nm	1
5		Bolt M3 x 12 mm	M3 x 12 mm Hex Socket Cap Bolt	1
6		Bolt M3 x 16 mm	M3 x 16 mm Hex Socket Cap Bolt	1
7		Screw	2.9 mm x 10 mm Phillips Pan Head Self Tapping Screw	1
8		24 mm Lockring Tool	24 mm Custom Battery Locking Tool	1
9		2.5 mm Hex key	2.5 mm Hex Key	1
10		Phillips Screwdriver	Double ended screwdriver Phillips #1 + Flathead	1



Battery Upper Interface (Version 3)
 52V Wide Format
 Assembly Diagram
 Revised: 2020-12-12

Discharge Port Cable Length Compatibility

Vehicle	OEM Stock Part Cable Length	Service Part Cables Used
RipCurrent / S	130 mm	250 mm
CrossCurrent S2 / X	130 mm	
HyperScrambler 2 (Rear Battery)	250 mm	1,750 mm (250 + 1,500 mm)
HyperScrambler 2 (Front Battery)	1,600 mm	
Scorpion / HyperScorpion	1,300 mm	
Scrambler	1,750 mm	