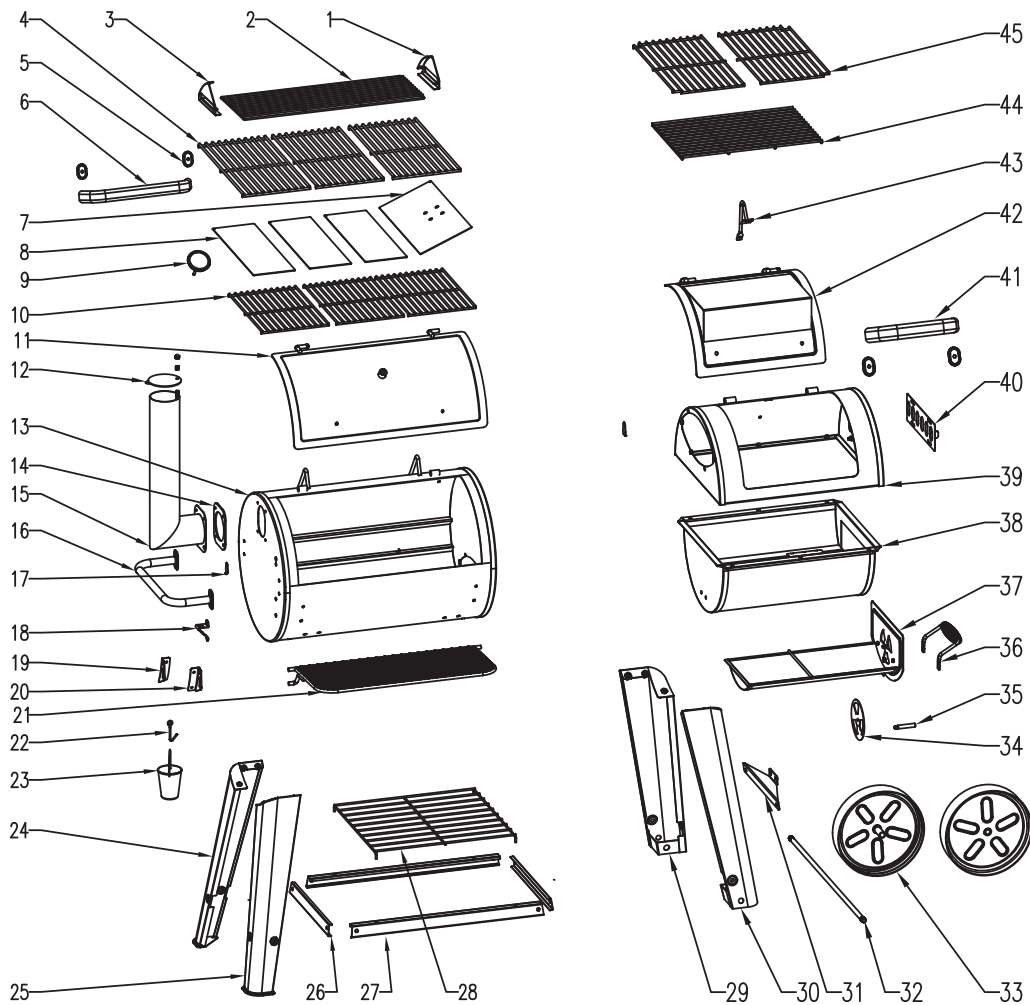


A. PARTS LIST



NO.	Name
1	Shelf Bracket Right
2	Warming Shelf
3	Shelf Bracket Left
4	Cooking Grills (3)
5	Heat Resistant Washer (4)
6	Cooking Chamber Handle
7	Large Baffle
8	Small Baffle (3)
9	Temperature Gauge
10	Charcoal Grates (3)
11	Cooking Chamber Door
12	Smoke Stack Damper
13	Cooking Chamber
14	Sealing Gasket
15	Smoke Stack

NO.	Name
16	Side Handle
17	Hole Covers (2)
18	Beer Bottle Opener
19	Front Shelf Bracket Left
20	Front Shelf Bracket Right
21	Front Shelf
22	Grease Bucket Holder
23	Bucket
24	Leg Back Left
25	Leg Front Left
26	Bottom Shelf Support Short (2)
27	Bottom Shelf Support Long (2)
28	Bottom Shelf
29	Leg Back Right
30	Leg Front Right

NO.	Name
31	Firebox Bracket
32	Wheel Axle
33	Wheels (2)
34	Air Damper
35	Air Damper Handle
36	Ash Drawer Handle
37	Ash Drawer
38	Firebox Base
39	Firebox Top
40	Firebox Air Damper
41	Firebox Door Handle
42	Firebox Door
43	Firebox Door Stop
44	Firebox Charcoal Grate
45	Fire Box Grills (2)