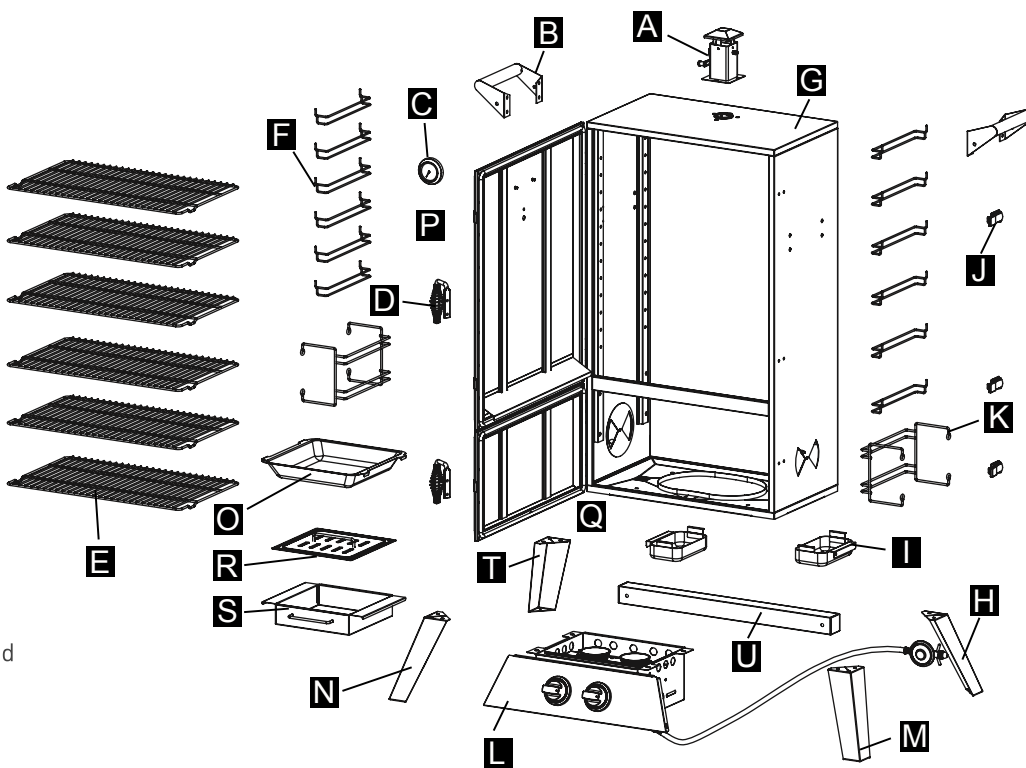


B. PARTS LIST

Read all safeguards and assembly instructions before assembling and operating your smoker.

Before assembling your new smoker, unpack all parts from the box. Carefully remove all packing material

and layout all the parts for easy access and identification. Do not discard the carton or packaging until your smoker is fully assembled and operating to your satisfaction.



Product Dimensions: 80.2cm(w) x 52.2cm(d) x 145cm(h)

In order to properly assemble your smoker, you will only need two tools (tools not included):

- Philips head screwdriver
- shifter or 3/8" & 7/16" wrench

Be sure to have a friend help. The smoker is heavy and must be moved around during assembly and before use. To use your smoker immediately after assembly, have an LP gas cylinder filled by an authorised LP dealer or cylinder exchange center.

Also, be sure to have your choice of flavouring wood readily available. (LP gas cylinder and flavouring wood are not included).

For further assistance, including missing or damaged parts, call 1300 799 787.

Primary Components						
Item	Description	Qty		Item	Description	Qty
A	Smoker Stack Assembly	1		L	Burner & Control Unit	1
B	Side Handle	2		M	Front Leg-Right	1
C	Temperature Gauge	1		N	Front Leg-Left	1
D	Door Handle	2		O	Water Bowl	1
E	Cooking Grate	6		P	Upper Door	1
F	Cooking Grate Support	12		Q	Lower Door	1
G	Smoker Body	1		R	Wood Chip Box Lid	1
H	Back Leg-Right	1		S	Wood Chip Box	1
I	Grease Cup	2		T	Back Leg-Left	1
J	Door Latch	3		U	Back Support Pipe	1
K	Support Bracket	2				