

KEYP™ Key Safe Shroud Installation Guide



www.ark.life
hello@ark.life

Box contents

| | |
|----|-----------------------------------|
| 1x | Shroud |
| 4x | Bolts and nuts for the house sign |
| 4x | Screw Caps |
| 4x | 70mm Screws |
| 4x | 60mm Wall Plugs |
| 1x | 8 × 200mm Drill Bit |
| 4x | Spacers (for acrylic house sign) |

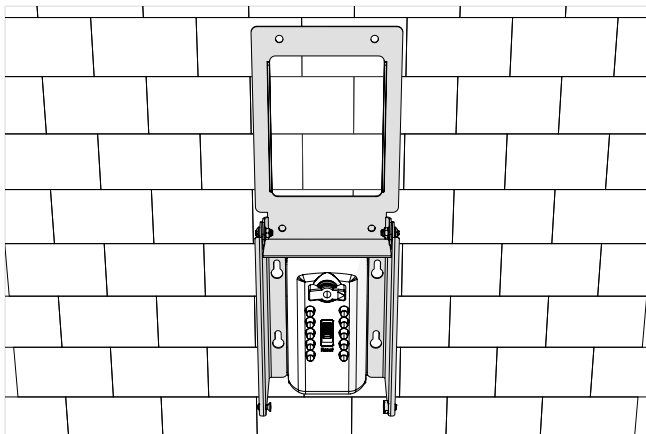
Tools required

- Phillips head screwdriver
- Drill
- Hammer
- Marker pen
- 10mm socket or spanner
- Safety goggles (recommended)
- Tape for marking the drill bit (recommended)
- Spirit level (recommended)

- i** Using the provided fixings, KEYP can be installed onto brick, render, concrete, flat stone, and wood.
- i** If installing onto a wooden structure the wall plugs will not be required - screws can be used directly in wood, if installing onto a hardwood a pilot hole is recommended (3mm diameter).

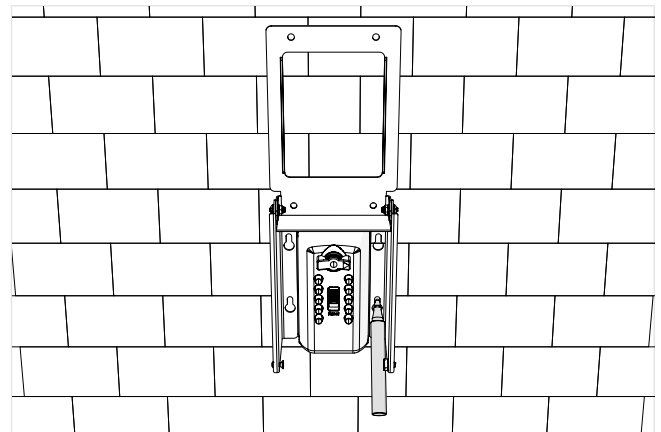
Installation

1. Ensure your key safe is installed to the wall to the correct security standard before installing KEYP.



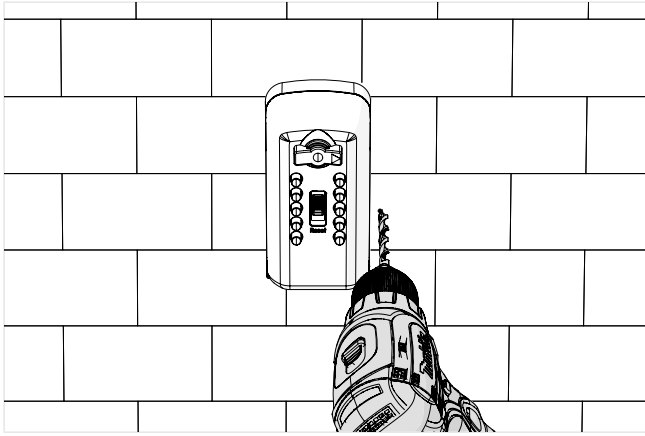
2. Place the base of KEYP over the previously installed key safe. To ensure KEYP is installed correctly and level, please use a spirit level to check the alignment.

i In some cases the weather cover, if present, will need to be removed, KEYP will provide weather protection.

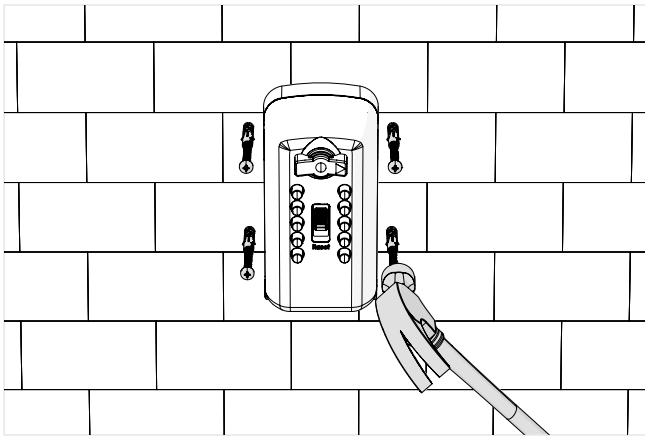


3. Mark the top of each of the screw holes with a marker pen.

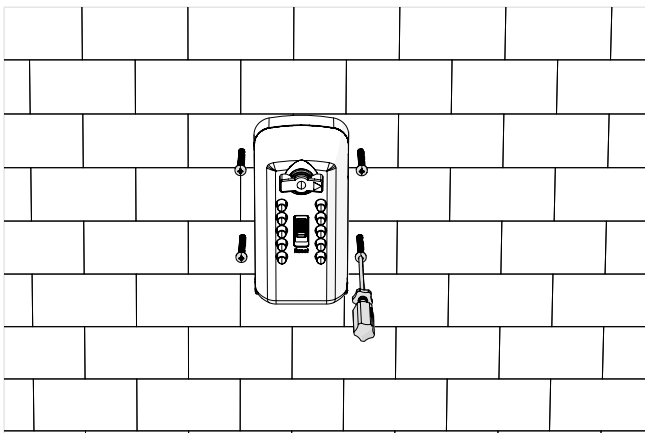
- i** Avoid drilling holes near the edge of bricks, as this may cause damage. To secure the product, you must use at least 2 screws (4 screws are supplied). Make sure you choose strong fixing points for safety. If you're unsure, ask a professional installer.
- i** Do not fix screws into the mortar line unless you know the mortar is structurally sound.



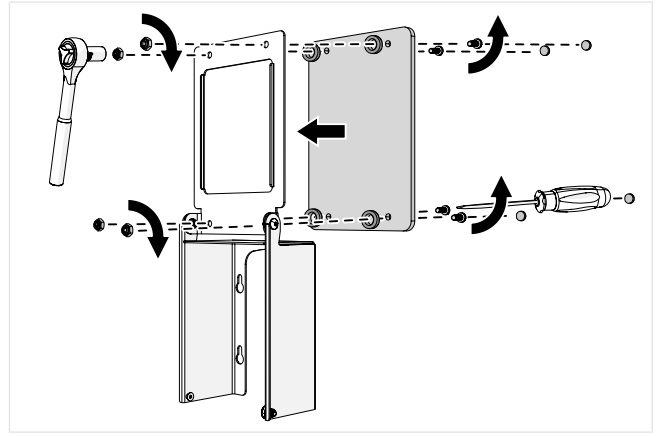
- i** We recommend you mark the drill bit to 80mm with tape (or similar) to ensure the hole is deep enough.
- 4.** If preferred, drill pilot holes first. Then drill the marked holes with provided 8mm drill bit to depth of at least 80 mm.
- 5.** Carefully blow out any brick dust from the drilled holes.



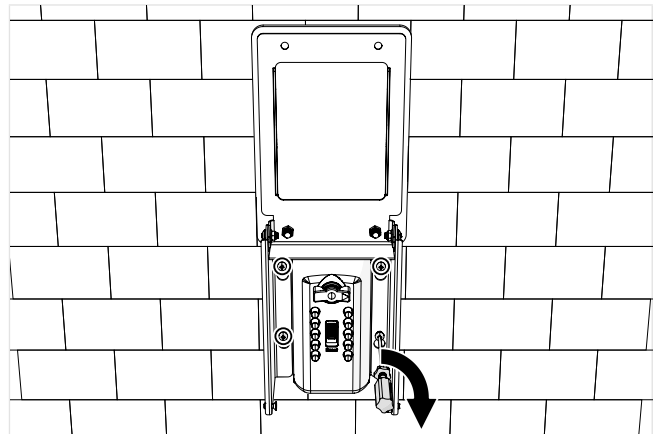
- 6.** Insert the screws into the wall plugs with a few turns.
- 7.** Gently tap the plugs and screws into the holes using a hammer.



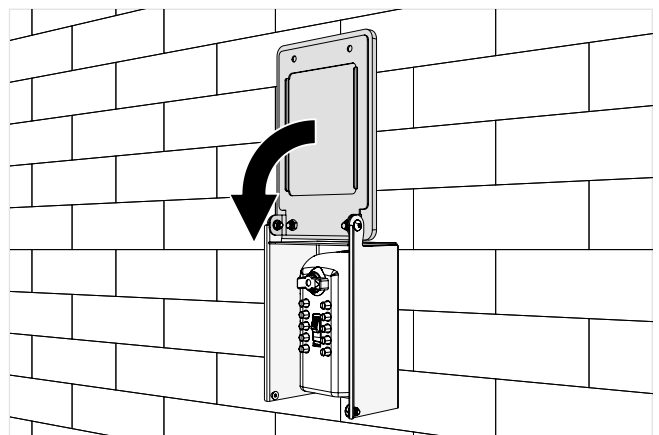
- 8.** Tighten the screws into the wall plugs, leaving enough length of screw to hook KEYP over the screw heads.



- 9.** Attach the house sign to the front of the shroud with the provided fixings.
- 10.** If your house sign is made from acrylic, please add the supplied spacers to the screws between the sign and the front shroud.
- 11.** Once the house sign is attached, place the screw caps on each screw head and tighten them.



- 12.** Place KEYP over the screws and slide it down. Then, using a screwdriver, tighten them to hold it in place. Do not overtighten, as this may cause KEYP to warp.



- 13.** Lower the lid of KEYP into place to complete installation.