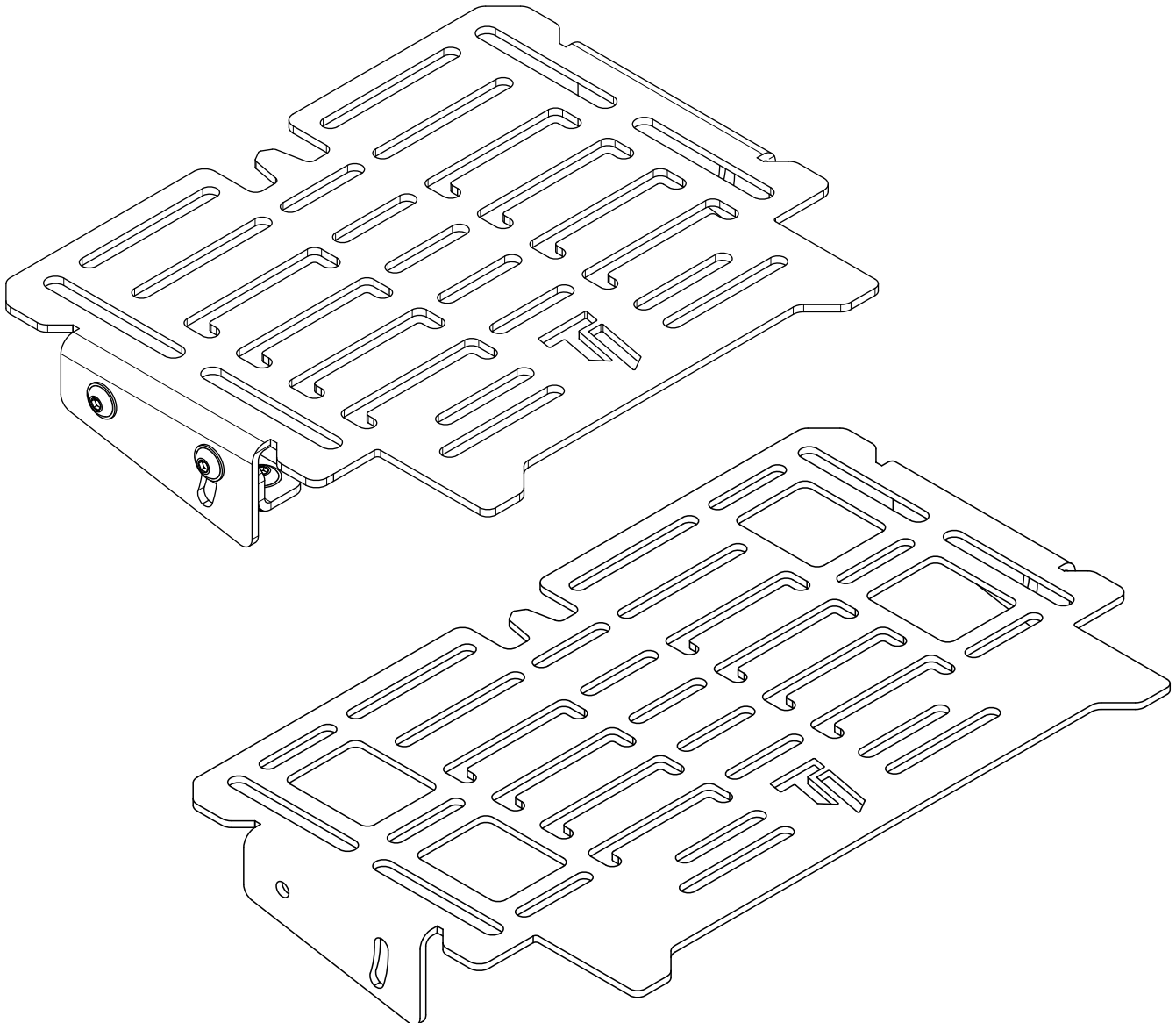


**ADJUSTABLE UNDER SEAT
GUN RACK / GEAR MOUNT | CENTER & XL
2.0 TRAIL TECH™ | CAN-AM DEFENDER**



TOOLS REQUIRED

- 14MM WRENCH
- 23/64 DRILL BIT
- 4MM HEX KEY
- 5MM HEX BIT
- M6 MM RIVET NUT TOOL

HARDWARE INFO

READ BEFORE INSTALL

Let's get this out of the way first! Your Gun Rack / Gear Mount uses Rivet Nuts & Jack Nuts for installation, this hardware will require the use of a Rivet Nut Tool. Whether you purchased our Manual RivNut Tool (shown below), or if you have a dedicated Rivet Nut Setter Tool which is recommended for best results, be sure to verify and use the drill bit sizes listed below to install the hardware.

RIVET NUTS

Gun Rack Gear Mount Plate: 23/64 DRILL BIT



It is always recommended to use calipers to verify the Jack Nut or Rivet Nut diameter to ensure use of the proper drill bit size.

M6 MANUAL RIVNUT TOOL

Available from TRAIL ICON



M6 RIVET NUT SETTER

Available in many hardware stores



*TRAIL ICON IS NOT RESPONSIBLE FOR USE OF THE WRONG TOOLS DURING INSTALL THAT MAY CAUSE DAMAGE TO PRODUCT OR OEM PARTS OR HARDWARE.

PAGE 2
V2.1

CONTENTS

GUN RACK / GEAR MOUNT....1
L-BRACKETS.....1
SEAT LOCK™.....1
FLEXGRIP™.....1
HARDWARE.....4



INSTALL INFO

HOW IT WORKS

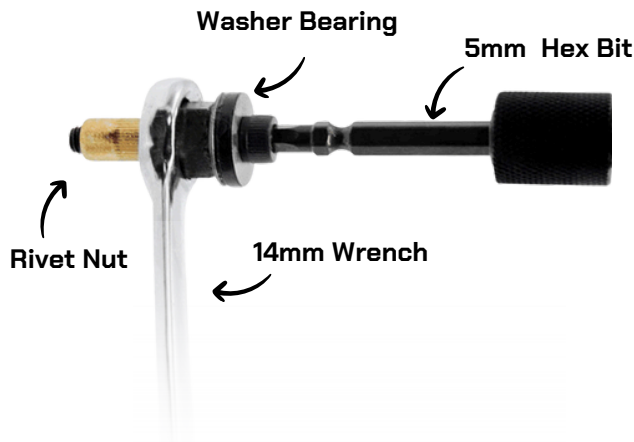
JACK NUTS & RIVET NUTS

Both types of hardware have the same function in crushing down from the backside surface of the desired mounting location creating a crimped hardware fixture in the panel.

Thread a Rivet Nut on the RivNut tool and push into the drilled hole on the seat frame, if using the TRAIL ICON RivNut tool, use a 5mm Hex key Tool, or you can use a the drill mounted 5mm hex bit.

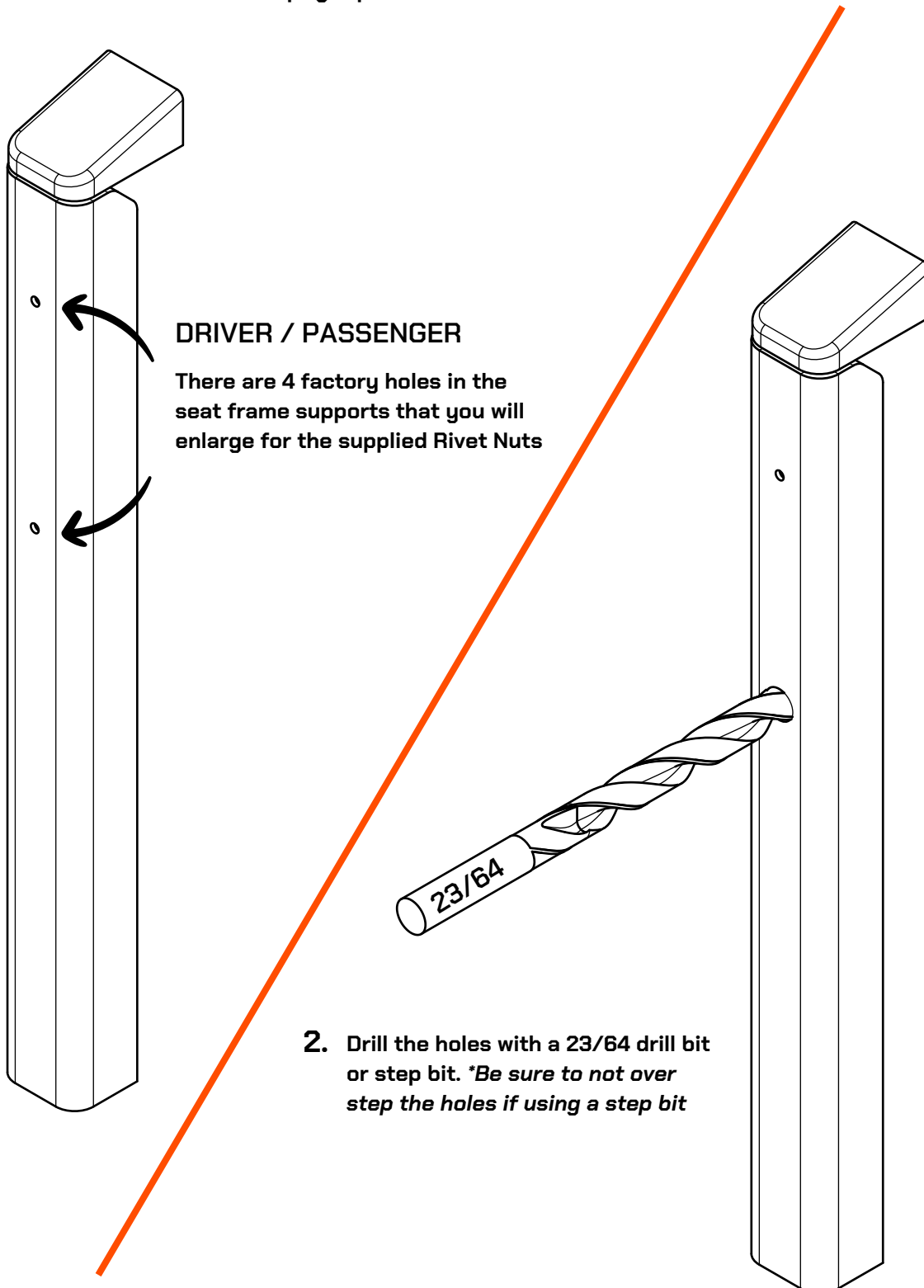
Be sure to keep the Rivet Nut and tool pressed against the seat frame while tightening the Rivet Nuts, tighten the nut until it has a solid resistance, be sure not to over tighten them. Repeat on all 4 hole locations.

FOR ILLUSTRATION PURPOSES ONLY.

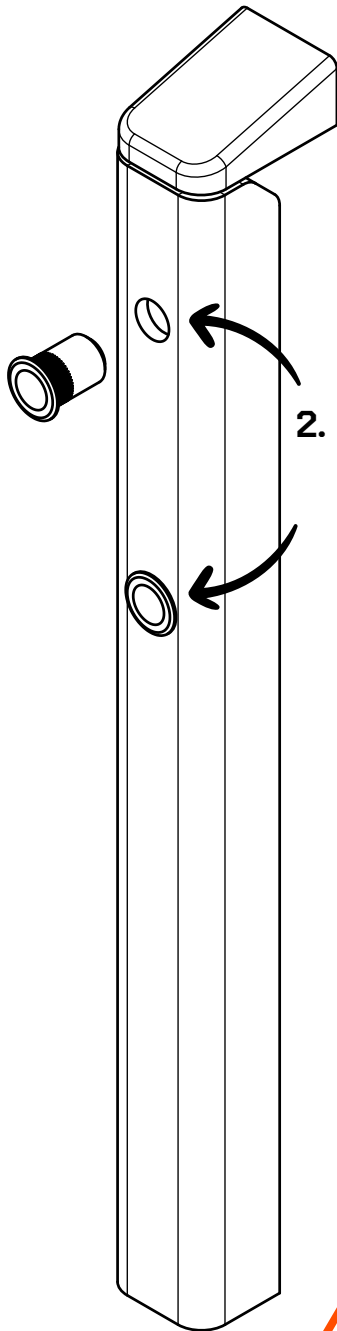


STEP 1

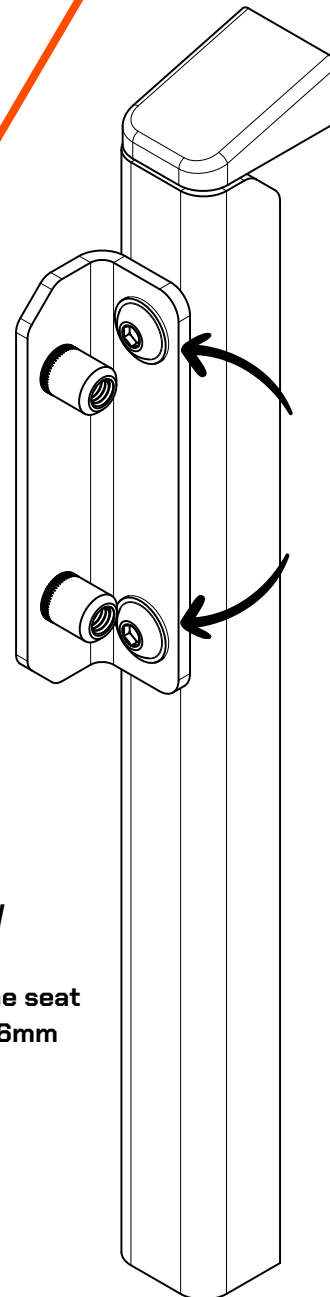
1. Raise the lower seat bottom to the upright position



STEP 2



- 2.** Install the 4 Rivet Nuts with the included RivNut Tool or use your own if you have one.

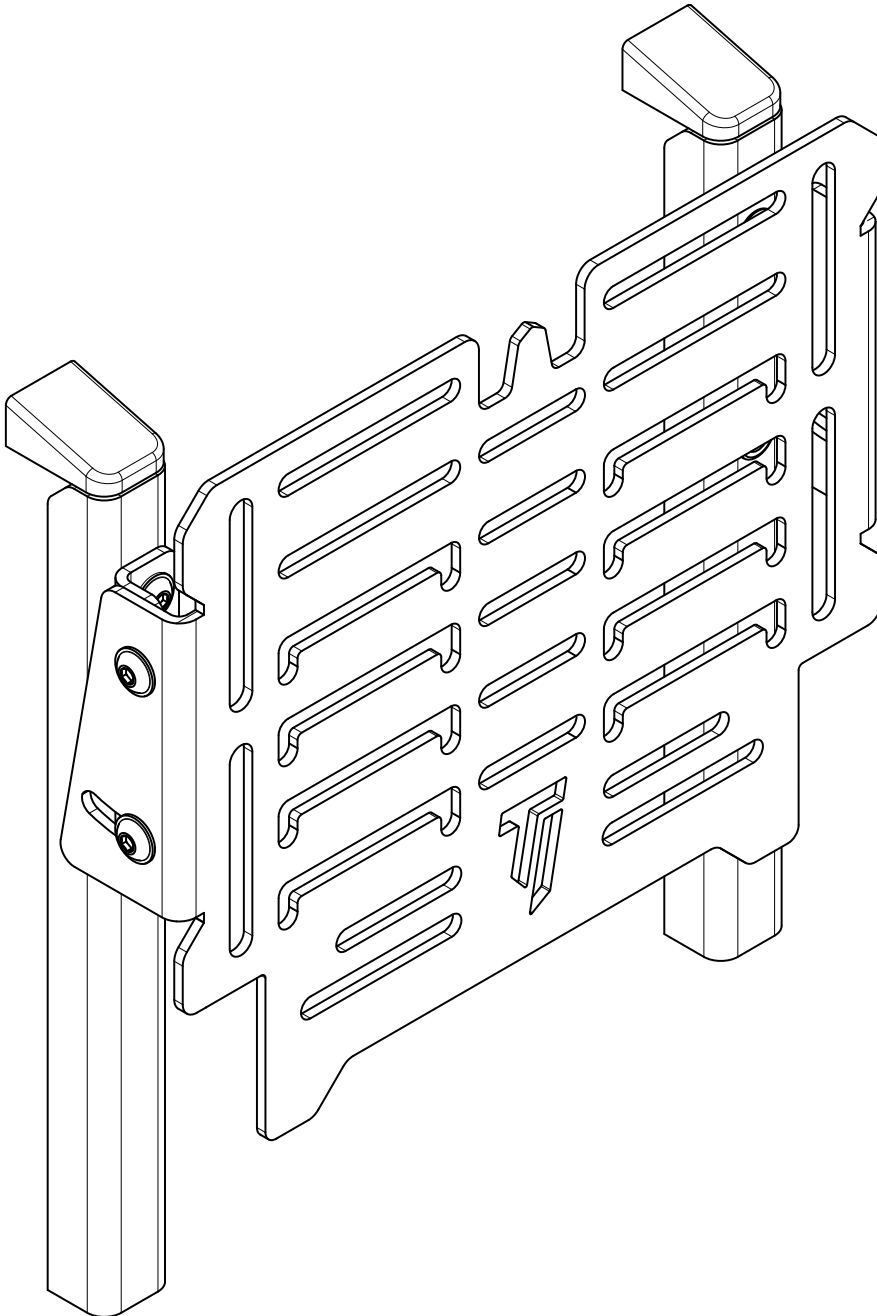


PASSENGER SIDE VIEW

- 3.** Install the 2 L-Brackets on the seat frame using the (4) included 6mm Button Head Screws.

4. *If adding Gun Mounts it is best to install them prior to mounting the Gun Rack / Gear Mount the plate to the L-Brackets.

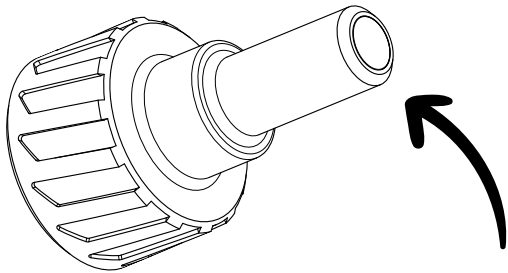
Mount the Adjustable Gun Rack Gear Mount Plate using the (4) additional 6mm Button Head Screws, use the included Nylon washers on the lower screws to prevent scratching the powder coat during adjustments.



FOR ILLUSTRATION PURPOSES ONLY
MOUNTED GUN RACK / GEAR MOUNT

SEAT LOCK™

The TRAIL ICON SEAT LOCK™ can be used on any folding seat bottom on either side of the seat bracket.



MAGNETIC TIP TO STORE THE SEAT LOCK™ ON THE SEAT FRAME WHEN NOT IN USE.



FLEXGRIP™ STRAP

THESE UNIVERSAL VELCRO STRAPS WITH A SILICONE BACKING HELP TO SECURE LOOSE ITEMS OR GEAR.

YOU'RE DONE!

That wraps it up. Now it's time to enjoy your New Gun Rack Gear Mount!