



 **TECHWEISE®**



Techweise TS3 Edge Steam Cleaner

USER MANUAL

Scan the QR code for helpful instruction videos!



v1.0



Thank you for choosing Techweise!

We are pleased that you have chosen Techweise. From now on you will use just one device to clean everything in your home.

Let's get acquainted

We inspire you to clean with powerful, stylish products you love to use, and with cleaning tips that really help.

WARNING: Read the user manual before using the device

We understand you'd prefer to figure out how this steam cleaner works on your own. However, we ask you to read this manual carefully. If you don't follow the instructions in this manual correctly, you may feel that the device isn't working properly, when in fact it is.

Contact us

Do you have questions or need help? Our team of specialists is happy to assist you. You can reach us at support@techweise.com. Prefer to call? That's possible at +31853031472. We're available Monday through Friday from 09:00 to 17:00.



NOTE

This steam cleaner has been extensively tested at the factory beforehand to guarantee optimal operation. As a result, there may be a few drops of water in the water tank. This is normal and does not mean the device has been used or returned previously.

Version number of manual: V1

Date of release: 12-2025

Serial number: TS3-01 2025



Table of contents

1. Safety warnings
 - 1.1 Personal safety
 - 1.2 Material safety
 - 1.3 Electrical safety
2. Product overview
3. Connecting and disconnecting the hose
4. Filling the water tank
5. Using the steam cleaner
6. Why doesn't the steam feel hot enough?
7. Accessoires
 - 7.1 Explanation of the accessories
 - 7.2 Steam mopping
 - 7.3 Which floors can I steam?
 - 7.4 Instructions for attaching the mop pad
8. Accessory usage advice
9. Ordering replacement accessories
10. Instructions after each use
11. Maintenance
12. Troubleshooting
13. Frequently asked questions
14. Contact us
15. Disclaimer

© 2025 Techweise B.V.. All rights reserved.

No part of this manual may be reproduced, stored in a retrieval system, or transmitted in any form or by any means – electronic, mechanical, photocopying, recording, or otherwise – without prior written permission from Techweise B.V.



1. SAFETY WARNINGS



Use the Techweise TS3 Edge steam cleaner only for its intended purpose as described in this manual. Always follow the safety instructions below. Failure to comply may lead to overheating, electric shocks, burns, or material damage.

⚠ READ THE ENTIRE MANUAL BEFORE USE

1.1 Personal Safety

1. **⚠ WARNING:** Ensure that everyone who uses this device has read the manual and can use the product safely.
2. **⚠ WARNING:** Risk of burns.
3. **⚠ WARNING:** Do NOT leave the device unattended while it is plugged into an outlet. Close supervision is required when using the steam cleaner near children, pets, or plants.
4. **⚠ WARNING:** Do not use the device on stairs or uneven surfaces without extra caution.
5. **⚠ WARNING:** Keep the device out of reach of children when it is powered or cooling down.
6. **⚠ WARNING:** Do not use the device near aerosol cans or where oxygen is being administered.
7. **⚠ WARNING:** Be careful when steaming glass. Always consult the manual of the surface to be cleaned before steaming. Factors that can contribute to a cracked mirror when using a steam cleaner: Thermal shock: Mirrors, especially older ones, can be sensitive to sudden temperature changes. The hot steam from the steam cleaner can cause thermal shock, causing the glass to expand and crack. If there are already small hairline cracks in the mirror, the heat from the steam can cause the glass to expand to such an extent that it may break.
8. **⚠ WARNING:** Do not add cleaning products, chemicals, or fragrance products to the water tank.
9. **⚠ WARNING:** Do not touch the nozzle, steam gun, or underside of accessories during use to prevent burns.
10. **⚠ WARNING:** Be careful during use to prevent steam from coming into contact with skin, which can cause burns.



-
11. ⚠ **WARNING:** To prevent burns, do not allow children or others unfamiliar with the use of the device operate it.
 12. ⚠ **WARNING:** Store this device indoors and do not expose it to rain or wind.
 13. ⚠ **WARNING:** Explosion hazard - Do not spray toward flammable liquids.
 14. ⚠ **WARNING:** Always use the heat-resistant glove while using the steam gun.
 15. ⚠ **WARNING:** Allow the device to cool for at least 5 minutes before storing.

1.2 Material Safety

1. ⚠ **WARNING:** When steaming a surface for the first time, check the manufacturer's guidelines for the material or test the product on an inconspicuous spot to see if it's suitable for steam.
2. ⚠ **WARNING:** Carefully check which floors are suitable for steam cleaning. Refer to chapter 7.2 "Steaming Floors" for this. Techweise can never fully guarantee whether your type of floor is suitable for steam cleaning. Existing damage, such as cracks or spaces between floorboards, can allow moisture to penetrate. This can damage the floor during use of a steam cleaner. The final responsibility for using the steam cleaner on the floor always lies with the user.
3. ⚠ **WARNING:** The liquid or steam must not be directed at electrical components of equipment, such as the inside of ovens or microwaves.
4. ⚠ **WARNING:** Use only original Techweise accessories. The use of other types of attachments may cause damage to the device or injury.
5. ⚠ **WARNING:** Use only water to fill the boiler; other cleaning products can damage the device or cause injury. Distilled or demineralized water is strongly recommended to minimize limescale buildup. Fill the boiler with no more than 2500 ml of water.
6. ⚠ **WARNING:** Do not attempt to disassemble/reassemble the device yourself, but contact Techweise.
7. ⚠ **WARNING:** Do not use the device with a damaged cord or if the device has been dropped or damaged. Have repairs performed by Techweise itself.
8. ⚠ **WARNING:** Disconnect the device after use and before cleaning or performing maintenance.
9. ⚠ **WARNING:** ALWAYS unplug when cleaning appliances.
10. ⚠ **WARNING:** Never store the device with a wet microfiber cloth or pad attached to it.

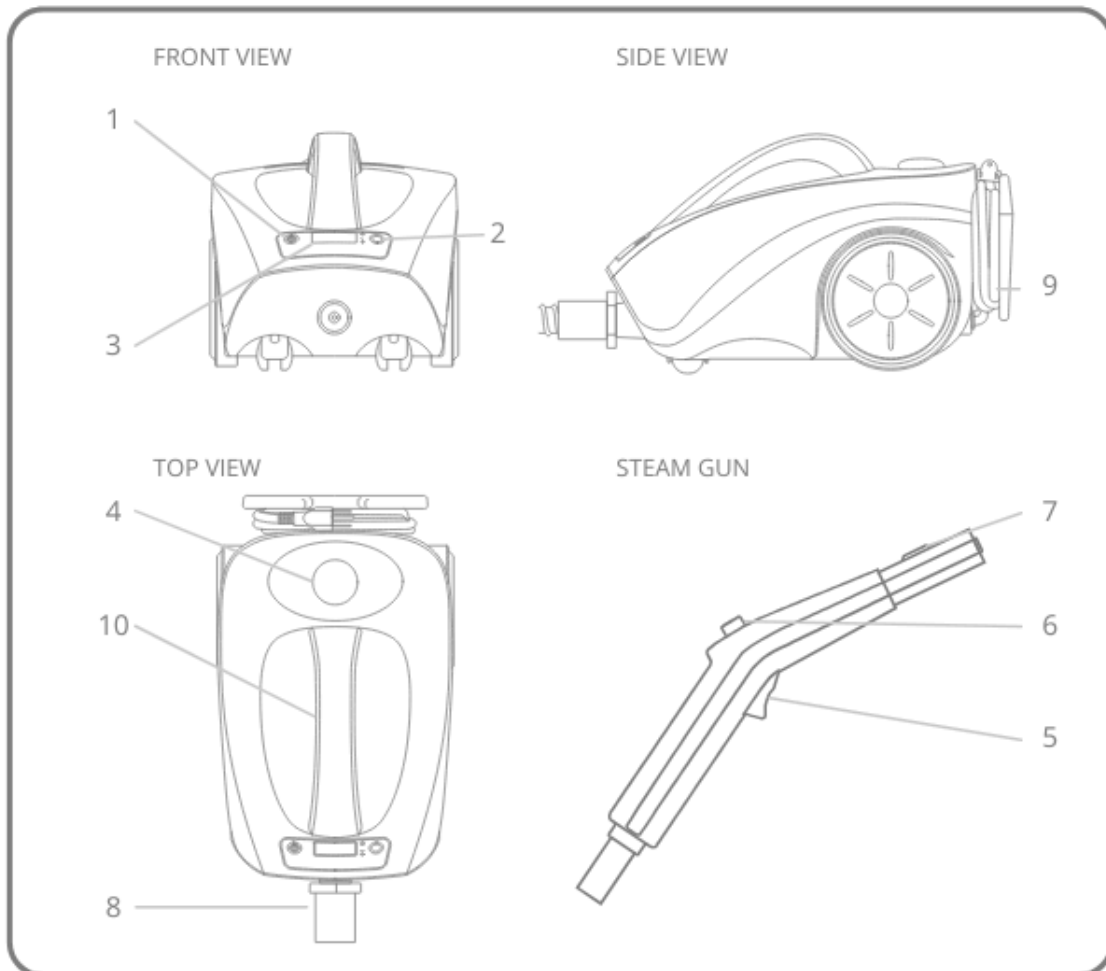


1.3 Electrical Safety

1. ⚠ **WARNING:** The plug must be removed from the device's outlet after use and must also be cooled down before user maintenance is performed on the device.
2. ⚠ **WARNING:** Check that all electrical information on the rating label matches your power supply before inserting the plug into the outlet.
3. ⚠ **WARNING:** Do not use another high-wattage device in the same circuit as this device to prevent circuit overload.
4. ⚠ **WARNING:** Do not touch the power cord with wet hands or during use.
5. ⚠ **WARNING:** Do not immerse the device in water or other liquids to avoid the risk of electric shock. Do not use the cord as a handle, do not let it hang over edges or get trapped in doors.
6. ⚠ **WARNING:** Never pull on the cord to remove the plug from the outlet; always pull on the plug itself.
7. ⚠ **WARNING:** Do not use the device without sufficient water in the tank.
8. ⚠ **WARNING:** A loose connection between the plug and outlet can cause overheating and deformation of the plug. Stop using the device in this outlet and have it replaced by a qualified electrician.
9. ⚠ **WARNING:** Inadequate extension cords can be dangerous. If an extension cord is used, ensure it is suitable for outdoor use and that the connection is dry and kept off the ground. It is recommended to do this by means of a cord reel that keeps the connection at least 60 mm above the ground. NOTE: The electrical connection must be made by a qualified electrician and comply with IEC 60364-1. It is recommended that the electrical supply to this machine includes a residual current device that interrupts the supply if the leakage current to earth exceeds 30 mA for 30 ms, or a device that proves the earth circuit.
10. ⚠ **WARNING:** Ensure you turn off the device and unplug it before filling the boiler with water.
11. ⚠ **WARNING:** Ensure the power cord is kept away from hot surfaces.
12. ⚠ **WARNING:** Keep the device away from water or other liquids. DO NOT PLACE it where it can fall or fall in a sink.
13. ⚠ **WARNING:** This machine is not intended for use by persons (including children) with reduced physical, sensory or mental capabilities, or lack of experience and knowledge.



2. PRODUCT OVERVIEW



Components:

1. Power button
2. Switch button (Wet/Dry)
3. Temperature Monitor
4. Tank Cap
5. Trigger of steam gun
6. Trigger lock
7. Attachment button
8. Hose connector
9. Electrical Cord
10. Handle

Model number: TS3 Edge

Product dimensions: 38 x 22 x 22 cm

Extension length: 133.5 cm

Rated voltage: 220-240V ~ 50/60Hz

Power: 2600W

Water tank capacity: 2500 ml

Heating time: ± 1 minute

Continuous steam time: 40 min

Steam output: 62 g/min

Cord length: 5 meters

Working pressure: 4.2 Bar

Weight: 3.2 kg

Noise level: 78 db when using jet nozzle

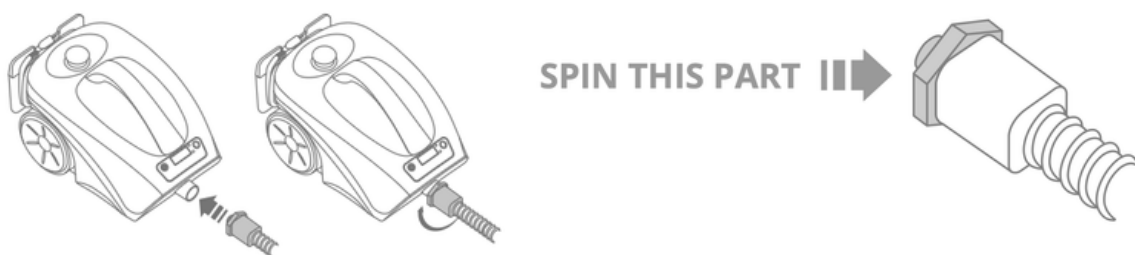


3. CONNECTING AND DISCONNECTING THE HOSE

⚠ **WARNING:** Do NOT plug in the power cord before the hose is connected! Hot steam will cause burns to your hands or other injuries!

Connecting the hose

1. Ensure the device is **turned off** and not connected to the power outlet.
2. Insert the **hose connection** into the designated opening at the front of the device.
3. Turn the locking knob **clockwise** until the hose is securely attached.
4. Check that the connection is stable before plugging the device into the power outlet.

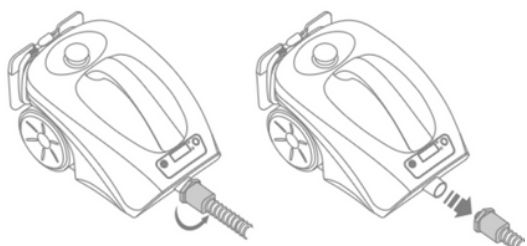


WARNING

Do NOT disconnect the hose during use! Hot steam will cause burns to your hands or other injuries!

Disconnecting the hose

1. Turn off the device and **unplug it from the power outlet**.
2. Hold the steam gun over a sink and **briefly press the trigger** to release any remaining steam.
3. Wear the **heat-resistant glove**.
4. Turn the locking knob **counterclockwise** and carefully pull the hose loose.



WARNING:

Never pull or drag the steam hose over a rough surface. This can cause tears or damage to the hose.



4. FILLING THE WATER TANK

1. Place the steam cleaner on a flat, stable surface.
2. Ensure the appliance is switched OFF and unplugged from the power outlet.
3. Unscrew the water tank cap and pour any remaining water from the boiler into a sink or bathtub.



WARNING:


The boiler must be emptied after each use to minimize limescale buildup.

4. Then fill the tank with a maximum of 2500 ml (2.5 liters) of clean water.
 - a. Preferably use distilled or demineralized water to prevent limescale deposits.
 - b. Do not add any cleaning agents, fragrances, or chemicals.
5. Replace the cap and tighten it securely.

Check if the tank cap is properly closed before switching on the appliance.



5. USING THE STEAM CLEANER

1. Fill the tank as described above, connect the hose, and then plug the power cord into the power socket.
2. Attach the desired accessory to the attachment button (7).
3. Press the on/off button. The indicator light will turn on. 
4. Wait approximately **1 minute** until the temperature is hot enough. When the temperature reaches at least 100°C, you can start steaming. It is possible to open the cap to refill water when necessary, no cooling down or waiting time required.
5. **First point the steam gun toward a sink and briefly press the trigger to remove excess condensation water to avoid wet surfaces.**
6. Then begin steaming.
7. Lock the steam button using the trigger lock (6) to steam continuously without having to keep the button pressed.



WARNING

When you release the trigger (5), "HOLD" will appear on the display, indicating that the heating has been switched off to prevent damage from overheating. Press the trigger to continue cleaning, after which the temperature will be displayed again.

Using the Steam Control

Use the steam selection button to switch between wet and dry modes:

- a. **Wet mode** – more moisture, for thorough cleaning such as dirty grout.
- b. **Dry mode** – higher temperature, less moisture, for disinfection of floors or delicate surfaces.



IMPORTANT TO PREVENT EXCESS MOISTURE:

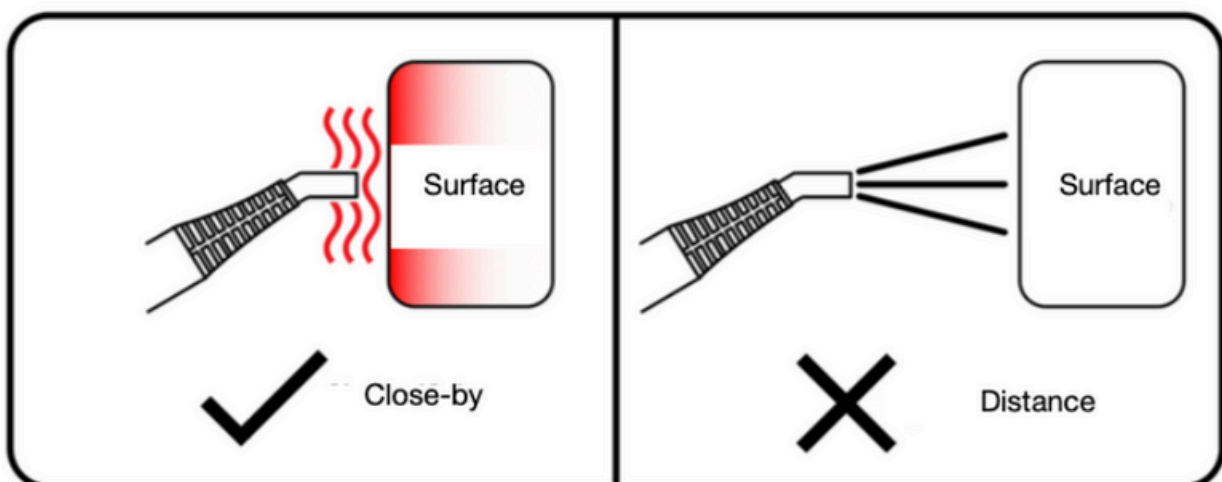
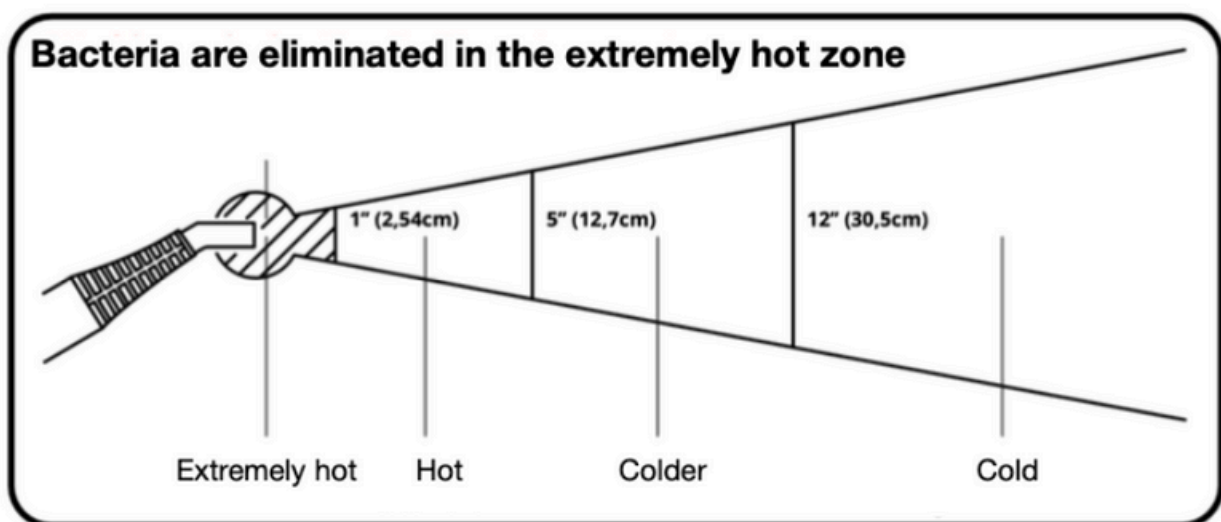
When the appliance has not been used for a moment, spray once into the sink to drain excess water. When working with the white microfiber cloth or mop pad, this is crucial to prevent an overly wet cloth.



6. WHY DOESN'T THE STEAM FEEL HOT ENOUGH?

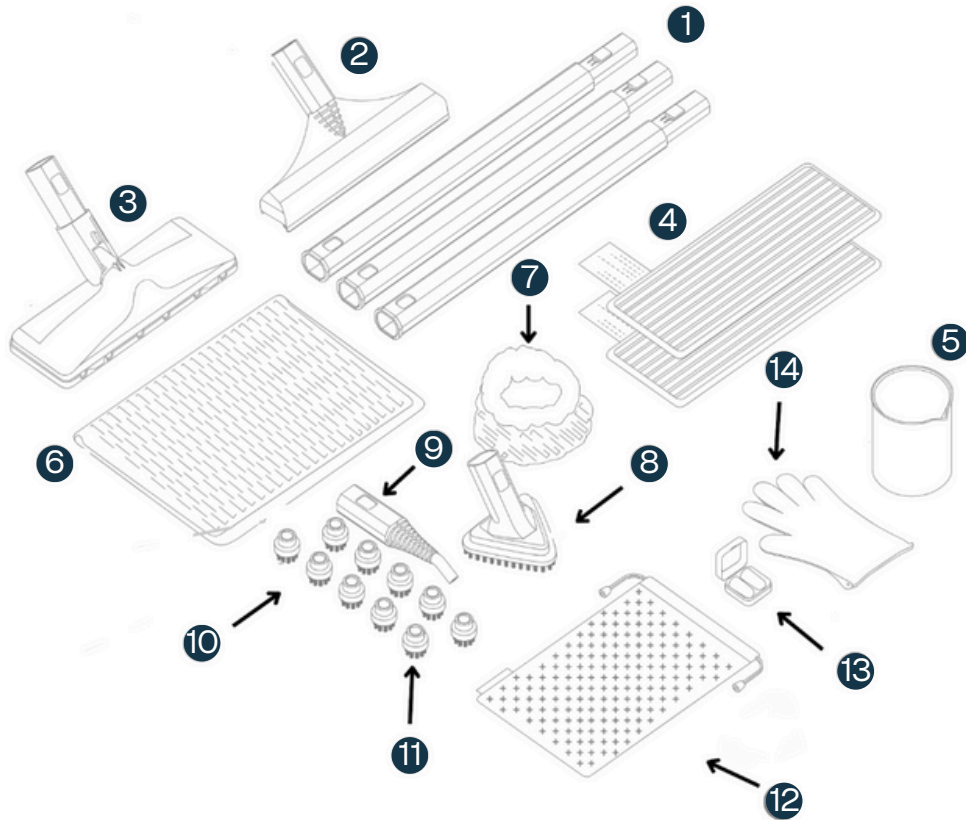
1. The temperature of steam is related to pressure: the higher the pressure, the hotter the steam. When steam comes out of the nozzle, it loses pressure.
2. This is comparable to boiling water: steam is hottest at the source, but loses pressure and temperature as you move further away from the outlet.
3. Therefore, keep the accessories as close as possible to the surface you want to clean while cleaning to achieve the best result.

Operating Principle of Steam Temperature:





7. ACCESSORIES



Accessory overview

- | | |
|------------------------|---------------------------|
| 1. Extension poles | 7. White microfiber cloth |
| 2. Window squeegee | 8. Triangle brush |
| 3. Mop head | 9. Jet nozzle |
| 4. Mop pads | 10. Nylon brushes |
| 5. Measuring cup | 11. Brass brush |
| 6. Mop cloth/dry cloth | 12. Storage bag |
| | 13. Earplugs |
| | 14. Heat resistance glove |

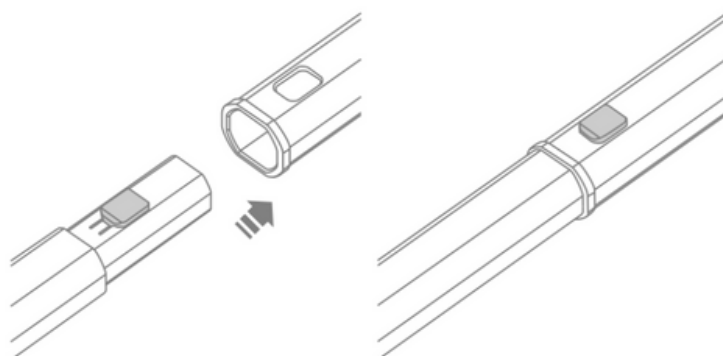


WARNING

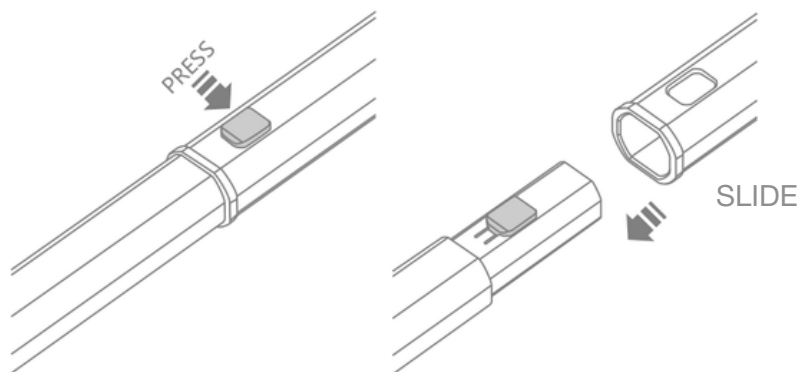
Never use the steam cleaner without an accessory. This will cause a loss of pressure, making steaming ineffective.

Attaching Accessories

Connect the pin and socket parts together; the coupling button will fall into the insert of the opening, causing the parts to click firmly into place.



Removing Accessories



Press and hold the attachment button, then slide the two accessories apart to disconnect them.



WARNING

DO NOT touch the steam gun or connect any attachments while the device is in operation. This could cause injuries due to high-pressure steam or hot water.



7.1 Explanation of the accessories

Jet nozzle

This nozzle is used to remove dirt from small crevices. Think of dirt between doors, behind the toilet seat, and all surfaces where a sponge cannot reach. The jet nozzle is also used in combination with the small brushes. The brushes are attached to the jet nozzle with some force.

The nylon brushes

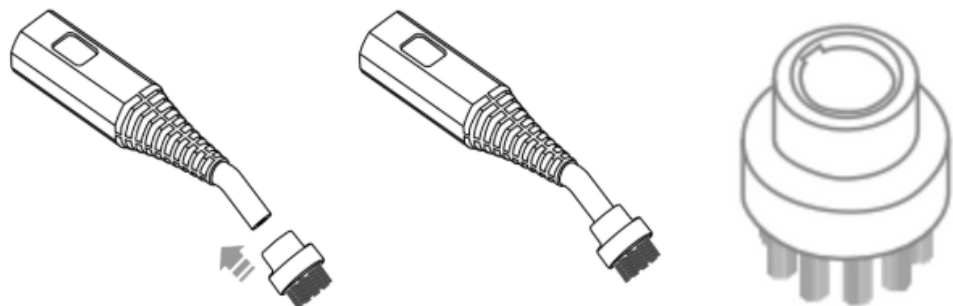
The nylon brushes are connected to the Jet nozzle. Press the brush firmly onto the tip of the Jet nozzle. Press it on as far as possible to prevent steam leakage. To remove the brushes, grasp them firmly and pull them off the Jet nozzle.

Use these brushes to remove dirt and deposits, such as on tiles and joints. Some force is required to clean joints. Please note: After steaming, use the Techweise white cloth to wipe away excess water & dirt.

WATCH THE INSTRUCTION-VIDEO TO LEARN HOW TO STEAM TILES AND GROUTS



SCAN HERE





The steel-brass brushes

The brass brushes are connected to the Jet nozzle, press the brush firmly onto the tip of the Jet nozzle. Press it on as far as possible to prevent steam leakage. To remove the brushes, grasp them firmly and pull them off the Jet nozzle.

Carefully assess the surface you want to clean with the brass brush. Some scratch-sensitive surfaces, such as stainless steel, can be scratched or damaged by the brass brushes. If you are unsure whether a surface will be damaged, it is recommended that you test an inconspicuous area first before proceeding.

Use on scratch-resistant surfaces such as BBQs, grill plates, oven racks, etc.

The Triangle Brush



The triangle brush can be used with or without the white microfiber cloth to clean flat and smooth surfaces, such as tiles.



WARNING

Do not attach/remove the white microfiber cloth with bare hands while steaming to avoid wounds.

White Microfiber Cloth

The white microfiber cloth retains heat for a long time, which makes this accessory ideal for disinfecting. Use the white microfiber cloth on the mattress, bed, sofa, and all surfaces that are scratch-sensitive, such as the extractor hood and the induction hob.

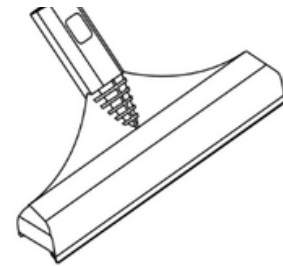


WARNING

Always test on a small, inconspicuous area first to ensure the surface is suitable for steam cleaning. Never apply steam directly to the entire surface at once. Always refer to the care instructions of the sofa or fabric to confirm whether steaming is permitted. Techweise is not liable for any damage resulting from improper use or application on unsuitable materials.

Window Cleaner

Watch the following instruction video before you start steaming the windows. Cleaning windows with steam requires a specific technique.



Watch the instructional video for steam cleaning windows:



SCAN HERE



WARNING:

Be careful when steaming windows and mirrors! Gradually warm the surface by first steaming at approximately 20-30 cm distance and slowly moving closer. This prevents thermal shock that could lead to cracking. Never use steam on glass that is already damaged or has hairline cracks.



7.2 Steam mopping



WARNING:

We strive to provide accurate information about the use of steam cleaners on different types of floors, but cannot guarantee that every floor is suitable for steam cleaning. Existing damage such as cracks, seams, or gaps between planks can allow moisture to penetrate, which can damage the floor.

Check the floor thoroughly before steam cleaning. Be careful when steaming sealed wooden floors, as prolonged exposure to steam in one spot can cause damage and discoloration. To prevent this, keep the mop in constant motion on these surfaces.

1. Steam can remove the shine from some floors that have been treated with wax. Very rough, textured floors can tear or damage the microfiber pads.
2. Always consult the manual of your floor before you start steam cleaning. Check whether your floor is suitable for steam cleaning.

Is the floor getting too wet?

Then perform the following steps:

1. Before mopping, spray any excess water into the sink to remove the condensation that has been collected in the tank.
2. Then attach the mop head or other attachments. This will prevent the pads from becoming too wet on the surface.



7.3 Which floors can I steam?

YES:

(⚠ check the floor manual)

1. Parquet
2. Laminate
3. Linoleum
4. Natural stone (only if properly sealed)
5. Enameled tile floors
6. Poured floors
7. Ceramic tiles (only if treated with a waterproof coating and very carefully)
8. Epoxy poured floor (if treated)
9. Outdoor ceramic tiles, ceramic tiles
10. Unglazed tiles (with care, can absorb moisture)
11. Porcelain tiles – comparable to ceramic, very strong
12. Glazed tiles – protective coating against moisture
13. Cement tiles (finished/sealed) – only if well impregnated
14. Outdoor terracotta tiles (glazed) – excellent resistance

DON'T:

1. Wooden floor
2. Vinyl
3. PVC
4. PU poured floor (too soft material)
5. Concrete (in unique cases the floor is waterproofed, then it might work but still carries risk as steam can lift that layer, so better not)
6. Marmoleum – natural oil and resin, sensitive to heat/moisture
7. Cork – porous, absorbs moisture and swells
8. Solid wood
9. Travertine – soft natural stone, sensitive to acids and steam
10. Marble (unimpregnated) – can become dull and porous
11. Slate (unimpregnated) – porous, absorbs moisture
12. Granite (unimpregnated) – sometimes sensitive, better to impregnate first
13. Carpet/floor rugs – except with special carpet steam cleaner
14. A steam cleaner is not suitable for: unsealed hardwoods, unglazed surfaces, or surfaces treated with wax such as PVC.

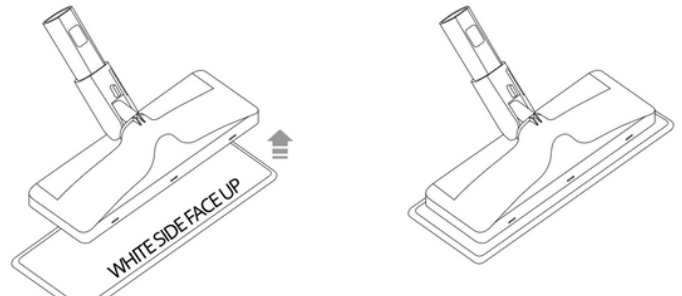
This is not a guarantee, but a recommendation. It depends on the condition of the floor. Check the floor manual and the floor carefully before you start steam cleaning.



7.4 Instructions for attaching the mop pad

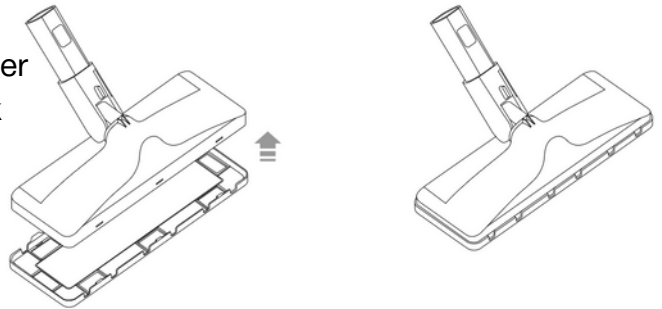
Instructions for attaching the mop pad

1. Fold the mop pad with the white side facing up on a flat surface.
2. Place the mop head in the center of the pad and press it firmly.



Instructions for attaching the carpet glider attachment

1. Place the mop head in the center of the carpet glider attachment and press it firmly until you hear a click.
2. Please **DO NOT** place the mop pad between the mop head and the carpet glide attachment.
3. Please note: the carpet glider is designed to disinfect, not to pick up dirt.

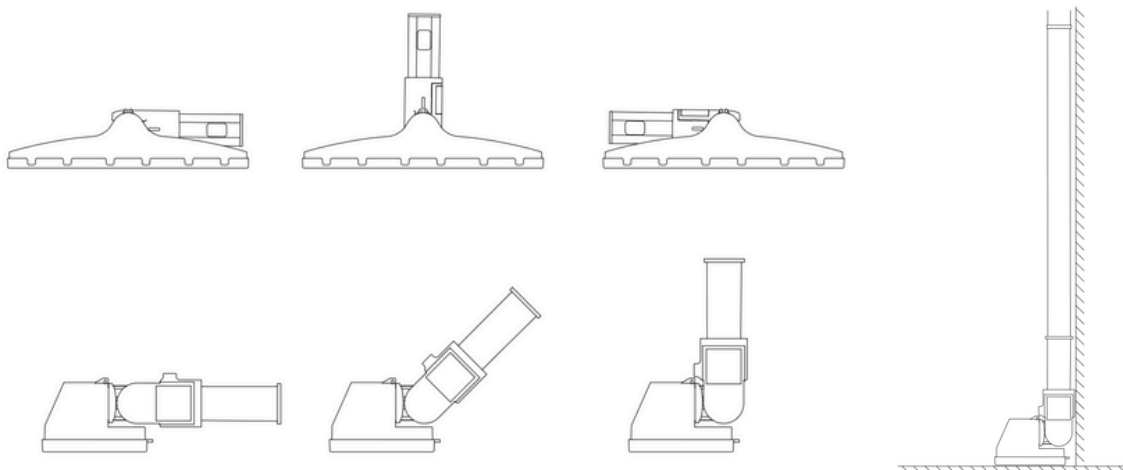


Washing instructions

1. Mop pads can be washed in the washing machine at 60 degrees.
2. Washing: Wash separately to prevent pilling.
3. Detergent: Use liquid detergent and preferably no fabric softener or bleach.
4. Drying: Air dry or dry on low temperature in the dryer.

The mop features a multi-axis connection design, allowing you to use it at multiple angles. Effortlessly tackle cleaning in low, tight spaces like under beds and sofas.

If you need to pause during cleaning, simply stand the mop upright against a wall.



⚠ IMPORTANT: Please avoid holding the mop head in one spot on the floor for too long, as this may leave excessive moisture!

⚠ IMPORTANT: Do NOT attach or remove mop cloths with **bare hands while steaming!**

⚠ IMPORTANT: Do NOT pull on the part of the mop head where the accessories are attached while steaming!



8. ACCESSORY USAGE ADVICE

Small Brushes

Ideal for cleaning grout. And for ovens, the sink, toilets, tiles and more. All surfaces hat needs a bit of force.

Jet Nozzle

Removing dirt, grease, and grime from hard-to-reach places such as cracks, crevices, skirting boards, and so on.

Mop pads

Suitable for mopping certain types of floors. See Chapter 7.3 for an overview of which floors you can steam. When in doubt, consult the floor manufacturer.

Window Squeegee

Watch the instruction video first. ⚠ Be careful when steaming windows and mirrors! Gradually warm the surface by first steaming from approximately 20-30 cm distance and slowly moving closer. This prevents thermal shock that can lead to cracking. Never use steam on glass that is already damaged or contains hairline cracks.

Triangle Brush

For smooth or rough surfaces.

White Microfiber Cloth

Ideal for upholstery, couches, door handles, mattresses, and delicate surfaces. Always start on a small, inconspicuous area and check whether steaming is possible. Never steam the couch without checking the couch's manual for steam cleaning compatibility.



NOTE:

In our help center, you'll find useful instruction videos where you can learn how to steam the bathroom, floors, or mattress. Scan the QR code to watch the instruction videos.



SCAN HERE

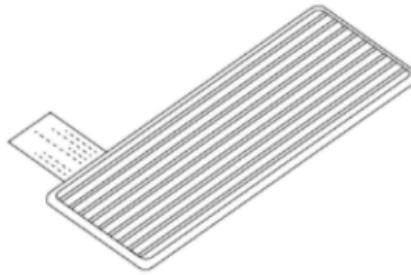
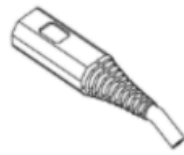
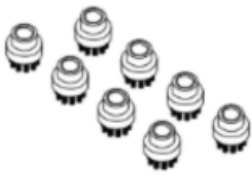


9. ORDERING REPLACEMENT ACCESSORIES

After a number of uses, accessories must be replaced to continue steaming effectively. On our website you can reorder all accessories.

Tip:

To save costs on this, we have put together a bundle.



SCAN HERE



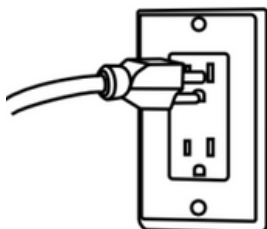
10. INSTRUCTIONS AFTER EACH USE



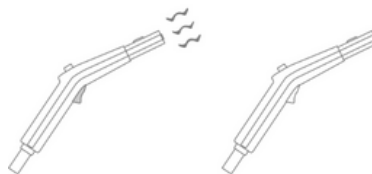
WARNING

After each cleaning session, all remaining steam must be removed. Proceed as follow:

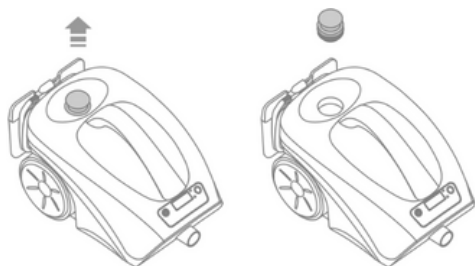
1. Disconnect the plug and ensure there is no power supply to your appliance.



2. Point the steam outlet of the steam gun toward the sink or bathtub to remove the steam. Press the steam button until no more steam is produced. The tank is now empty.

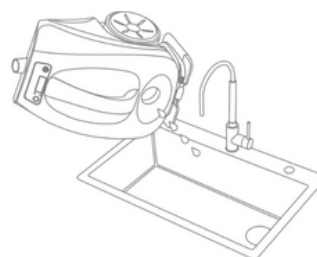


3. Remove the tank cap and pour out most of the water remaining in the tank.



4. Allow the appliance to air/dry for a while.

5. After the steam cleaner is dry, screw the tank cap back onto the appliance. Then store your appliance and accessories in a place where they remain dry.





NOTE:

1. Stagnant water will start to smell. Therefore, always empty the water tank after each use. This also prevents limescale build-up, which extends the service life.
2. Store the device and accessories in a dry place to prevent mold growth.
3. When carrying the steam cleaner with you or moving it, make sure to avoid shocks and do not drop the product. Do not stack heavy boxes or items on top of the product. Store this product at a temperature between 18 and 40 degrees and keep it away from direct sunlight.



11. MAINTENANCE

Descaling the steam cleaner

To extend the lifespan of your steam cleaner and maintain consistent steam output, it is important to descale the appliance once per month. Use exclusively the Techweise descaling agent, specially developed for steam cleaners and other household appliances.

Descaling procedure

1. Ensure the appliance is switched off and has completely cooled down.
2. Open the tank cap and add one complete sachet of Techweise descaling agent to the water tank.
3. Then fill the tank with water up to the maximum fill level.
4. Let the solution soak for two hours without switching on the appliance. This ensures that limescale and mineral residues completely dissolve.
5. After two hours, empty the tank completely and rinse it thoroughly with clean water.
6. If necessary, repeat the rinsing once more to remove all residues.



NOTE:

Use exclusively the official Techweise descaling agent. Other products may damage the internal components of the appliance or void the warranty.

You can easily order the Techweise descaling agent via the following QR code or through the webshop.



SCAN HERE



12. TROUBLESHOOTING

Problem	Explanation	Solution
The LED indicator does not light up after the device is connected.	The power cord is not connected.	Plug the power cord into an outlet.
	There is an electronic problem.	Contact support@techweise.com
	The device is defective or needs to be repaired.	Contact support@techweise.com
The device does not produce steam while the trigger is pressed.	There is no or too little water in the tank.	Fill the steam cleaner with at least 2500 ml of water.
	The device is defective or needs to be repaired.	Contact support@techweise.com
	The water tank is (almost) empty.	See chapter 4 "Filling the Water Tank".
Steam output is weak or intermittent.	The device is defective or needs to be repaired.	Contact support@techweise.com
	The internal line shows limescale buildup.	Immediately descale the device with Techweise descaling agent.
	The steam contains too much water. (Note: it is normal for steam to contain some condensed water.)	There is too much water in the tank. Remember: for each use, excess water must be sprayed once into the sink.



	The steam button is on "Wet steam".	Press the button for "Dry steam".
	The temperature of the steam cleaner is below 100 °C.	Wait until the status indicator shows that the temperature is > 100 °C.
The floor looks hazy or streaks remain after mopping.	The mop pad needs to be cleaned.	Replace with another clean microfiber pad.
	The water tank contains too much limescale.	Immediately descale the device with Techweise descaling agent.
	No distilled or demineralised water is used.	Use distilled or demineralised water when mopping.
	The steam control button is on "Wet steam".	Press the button for "Dry steam".



13. FREQUENTLY ASKED QUESTIONS

Q: What should I do if the steam output is unstable?

A: This is caused by limescale buildup. Please refer to chapter 11 maintenance and follow the steps to descale the steam cleaner.

Q: The steam remains wet, even in dry mode.

A: Let the appliance stabilize for approximately ± 40 seconds. Use a nozzle that promotes evaporation. When using the triangular brush with microfiber cloth, more moisture is normal. The textile slows evaporation but helps absorb dust.

Q: My grout is not getting clean.

A: First check if you are using the small black brushes. If so, the grout is so dirty that the buildup has been absorbed into the grout. Mix some bleach and water in a spray bottle and spray the grout thoroughly. Let it soak for 30 minutes and then steam clean.

Q: My windows are not streak-free. What am I doing wrong?

A: Refer to Chapter 7.1 The Window Squeegee and watch the instruction videos. If your hand can almost touch the window while pulling, you are using the wrong technique. Ensure the rubber is directly against the window.

Q: The steam cleaner display shows a temperature higher than 165°C. Is this harmful?

A: The steam temperature during use is generally between 130 - 165°C when functioning normally. When the water tank is almost empty, the temperature may temporarily rise to approximately **220°C** because there is less water available to evaporate. This is not a danger: the appliance is protected and automatically **shuts off after 50 seconds without activity**, preventing overheating.



14. CONTACT US

Still have questions or need advice?

Providing the best solution makes us who we are. Our team of specialists is ready to support you.

Email to support@techweise.com and we will reply to your message within one working day. Prefer to call? You can reach us at +31853031472. We are available by phone Monday through Friday from 9:00 a.m. to 5:00 p.m.

Headquarters (No visits or return address)

Techweise B.V.
Stationsplein 45
3013 AK Rotterdam
Nederland

Country of origin: Designed in The Netherlands, Produced in P.R.C.

Discard

Waste electrical products should not be disposed of with household waste. Recycle where facilities exist. Reference the website of your municipality to find more information.





15. DISCLAIMER

Techweise B.V. is not responsible for the following circumstances:

- A)** Damage resulting from failure to follow this manual, incidents, misuse, extreme ambient temperature, physical impact, modifications, or unauthorized use as stated in this manual.
- B)** Assembly, disassembly, modifications, repairs, or interventions performed by non-authorized persons.
- C)** Use of liquids other than water in the tank.
- D)** Damage to objects due to improper operation.
- E)** Neglect of maintenance by the customer.
- F)** Damage to floors, windows or fabrics.



WARNINGS:

Use at your own risk

Use of this device is entirely at the user's own risk.
The user is solely responsible for any damage caused by the use of this device.

Techweise B.V., its distributors, and suppliers accept no liability whatsoever for direct or indirect damage, personal injury, property damage, or consequential damage resulting from:

Limitation of Warranty and Liability

1. The warranty immediately voids if the device:
 - Is disassembled, modified, or adapted by a third party without written permission from Techweise B.V.;
 - Has been used with non-original parts or accessories;
 - Has been exposed to conditions outside normal household use (such as industrial cleaning, commercial use, or extreme humidity).



2. Techweise B.V. is not responsible for damage caused by external factors such as power surges, frost, fire, water damage, or chemicals not approved in this manual.

3. The user is at all times responsible for complying with national safety regulations and electrical standards of the country in which the device is used.

Safety and Usage Restrictions

This product is intended exclusively for household use indoors. Use in commercial or industrial environments is not covered by the warranty. The appliance must not be used near flammable gases or vapors. In case of leakage, abnormal noise, smoke development, or burning odor, the appliance must be switched off immediately and disconnected from the power supply.

Product Modifications and Technical Information

Techweise B.V. reserves the right to modify technical specifications, parts, packaging, or design features without prior notice. These changes do not entitle the user to compensation, replacement, or repair of previously purchased products.

Steaming Floors

1. ⚠️ Note: Techweise B.V. strives to provide correct information about the use of steam cleaners, but cannot guarantee that every floor or floor finish is suitable for steam cleaning.
2. Existing damage such as cracks, seams, or open spaces between boards can allow moisture to seep through, which can lead to floor damage.
3. Always consult the floor manufacturer's maintenance or warranty guidelines before using a steam cleaner.
4. Use of the steam cleaner is entirely at your own risk; Techweise accepts no liability for damage resulting from improper or unsuitable use.