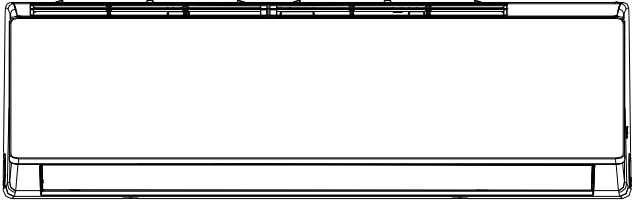
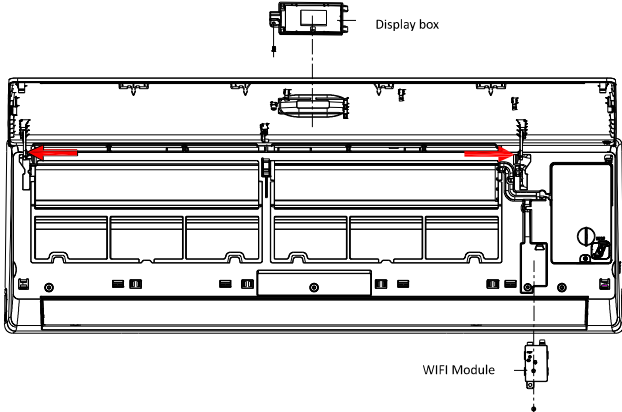
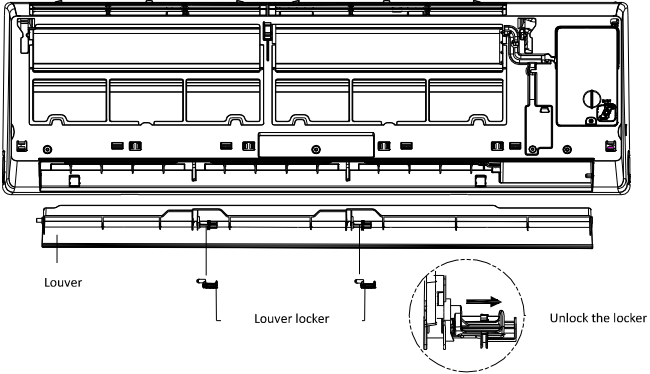


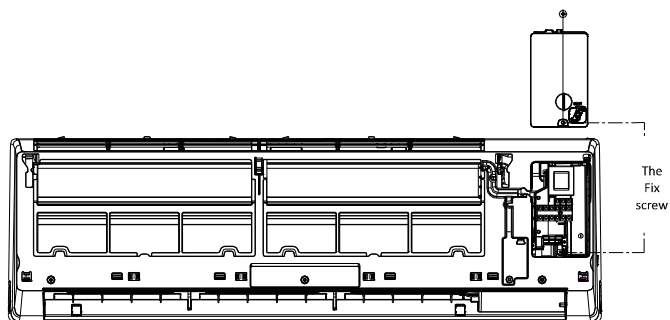
4. Disassembly IDU & ODU

4.1. IDU Disassembly

Steps	Reference photo
<p>1. Before disassembly</p>	
<p>The original status.</p>	
<p>2. Disassembly front panel, display board and WIFI module.</p>	
<p>A. Open front panel. B. Remove one screw and take the display box out from the panel. C. Release panel axis which shown in red arrows out from middle frame and take the panel out. D. Unscrew and take the WIFI module out from middle frame.</p>	
<p>3. Remove the louver.</p>	
<p>Unlock the louver lockers (clip), bend the louver slightly by hands and remove it out from middle frame and stepping motor.</p>	

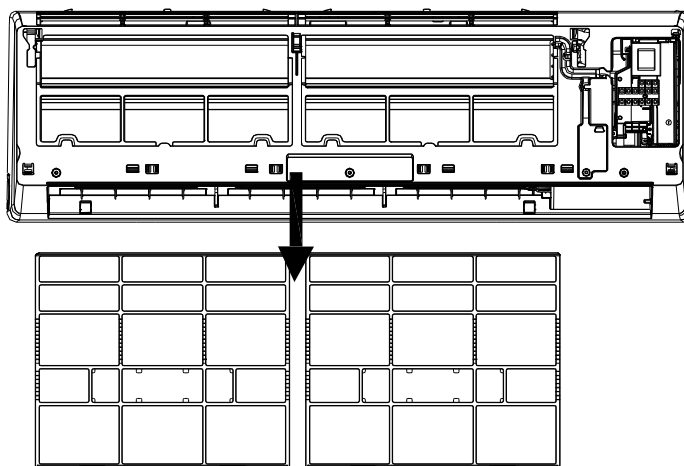
4. Remove the electric control box cover

Unfix one screw on the cover of electric box, and remove the cover.



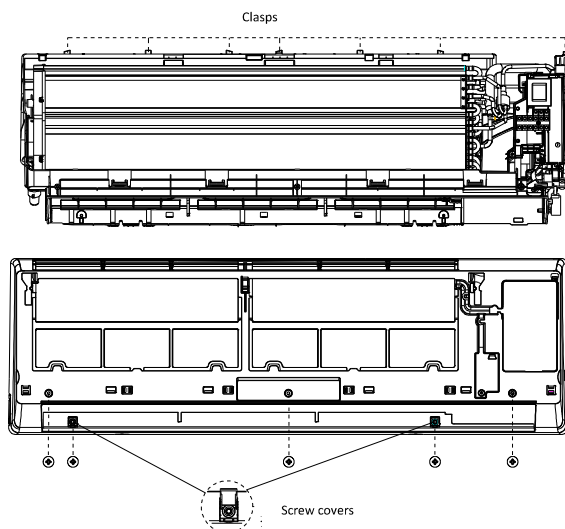
5. Remove the filter

Push the filter upwards a little, you can take it out from unit.



6. Disassembly the middle frame.

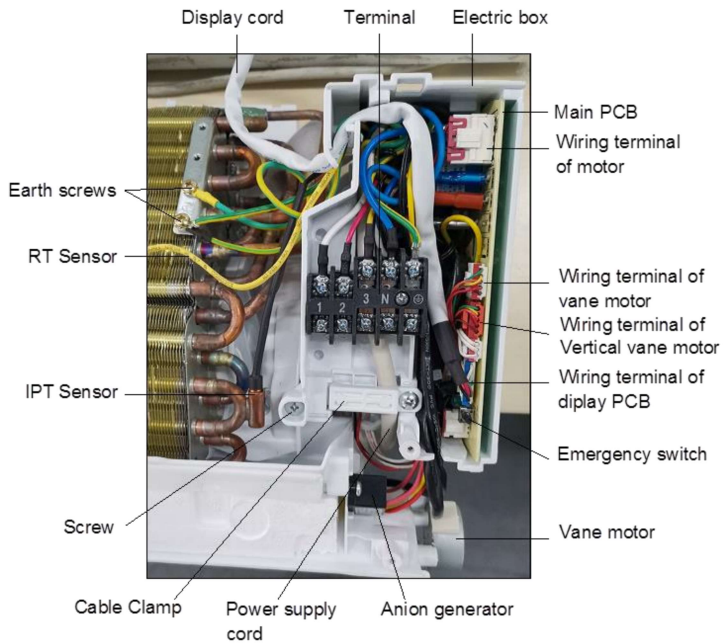
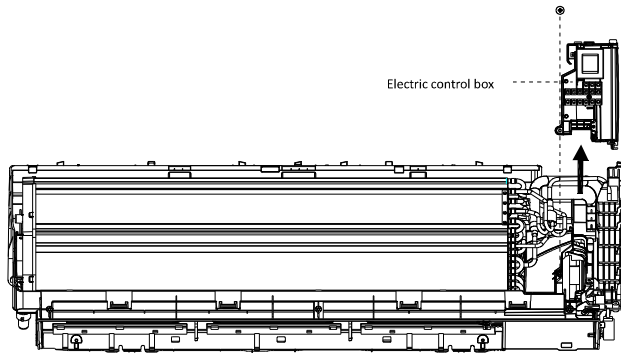
- A. Open the screw cover, and unfix screw with cross screwdriver.
- B. Remove the middle frame by loosening the clasps with the unit base as shown in the picture and take the frame out.



7. Disassembly the electric control box.

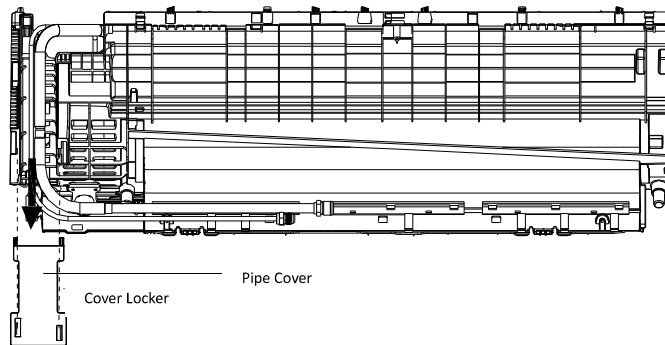
- A. Remove the RT & IPT out from evaporator;
- B. Unscrew all the earth ground wirings on the evaporator.
- C. Take all the connectors out from PCB.
- D. Unfix one screw of the control box with unit BASE FRAME, and take the control box out from unit.

Note: The right picture for your reference only, for the exact model the wiring connection may have a little difference.



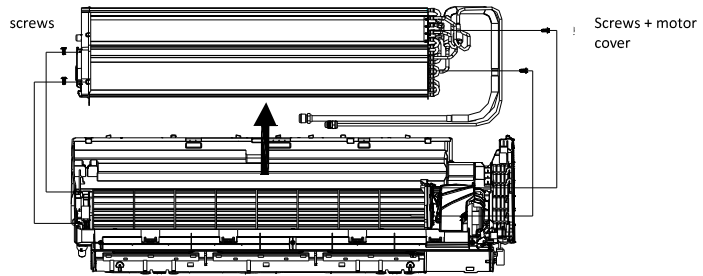
8. Remove the PIPE COVER

Loosing the lower edge of the PIPE COVER from BASE FRAME, and take the COVER out from unit.



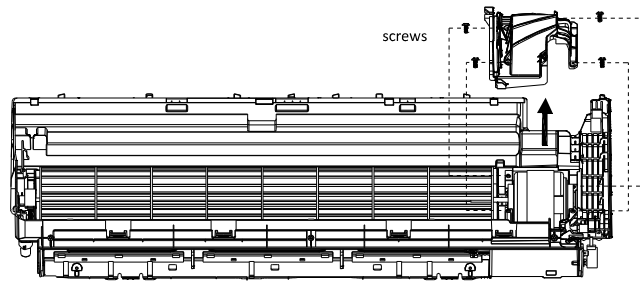
9. Disassembly the evaporator

- A. Unfix 2 screws of left side shown as picture.
- B. Unfix 2 screws of right side on motor cover/right support plate.
- C. Take the evaporator out from unit by uplifting the IUPUT/OUTPUT pipes slightly.



10. Remove the MOTOR COVER

Unfix 4 screws on the motor cover with base frame.



11. Disassembly fan motor and fan blade.

- A. Uplift the fan blade and fan motor, take the base frame out.
- B. Unfix one screw on the axis of fan motor, and you can get fan blade and fan motor separately.

