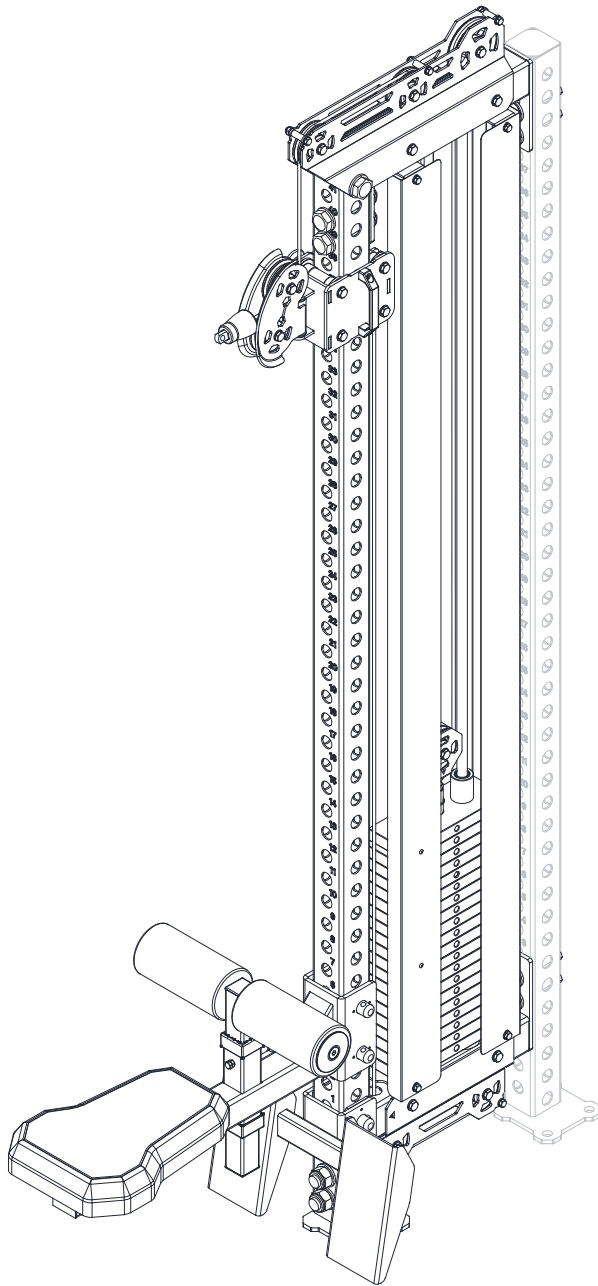


It's a device made for you



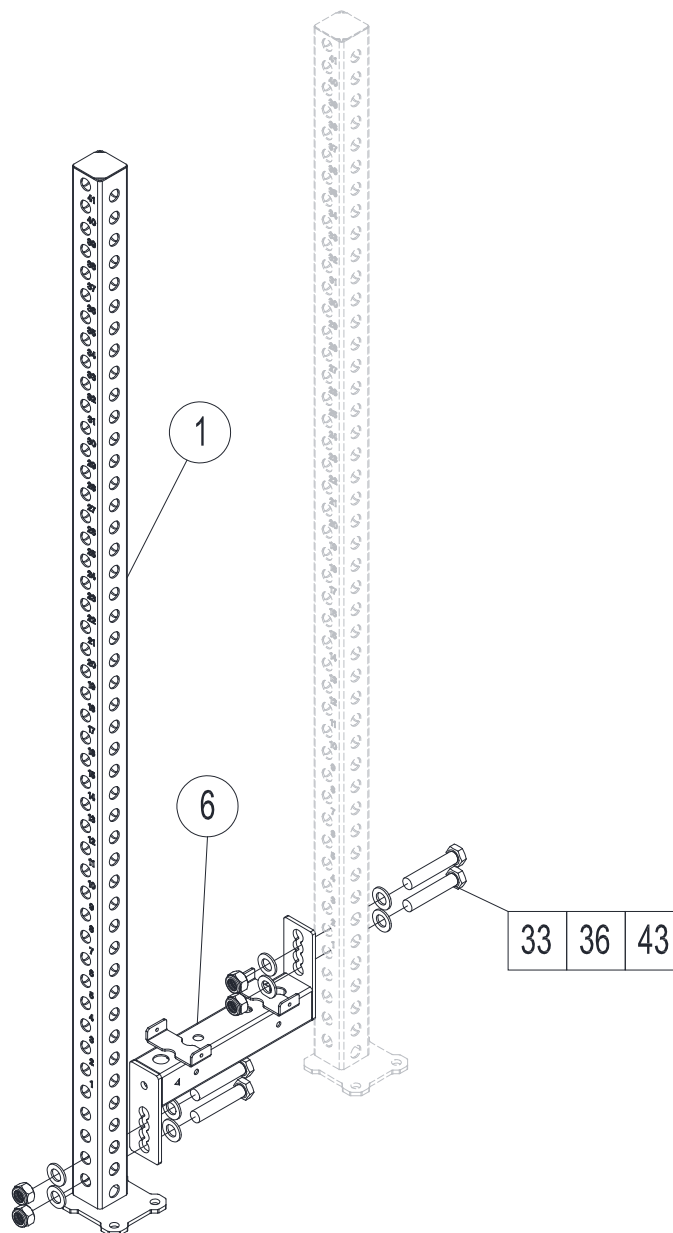
CF1074-S3

OWNER'S MANUAL

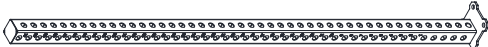






STEP 01

Steps to install the product

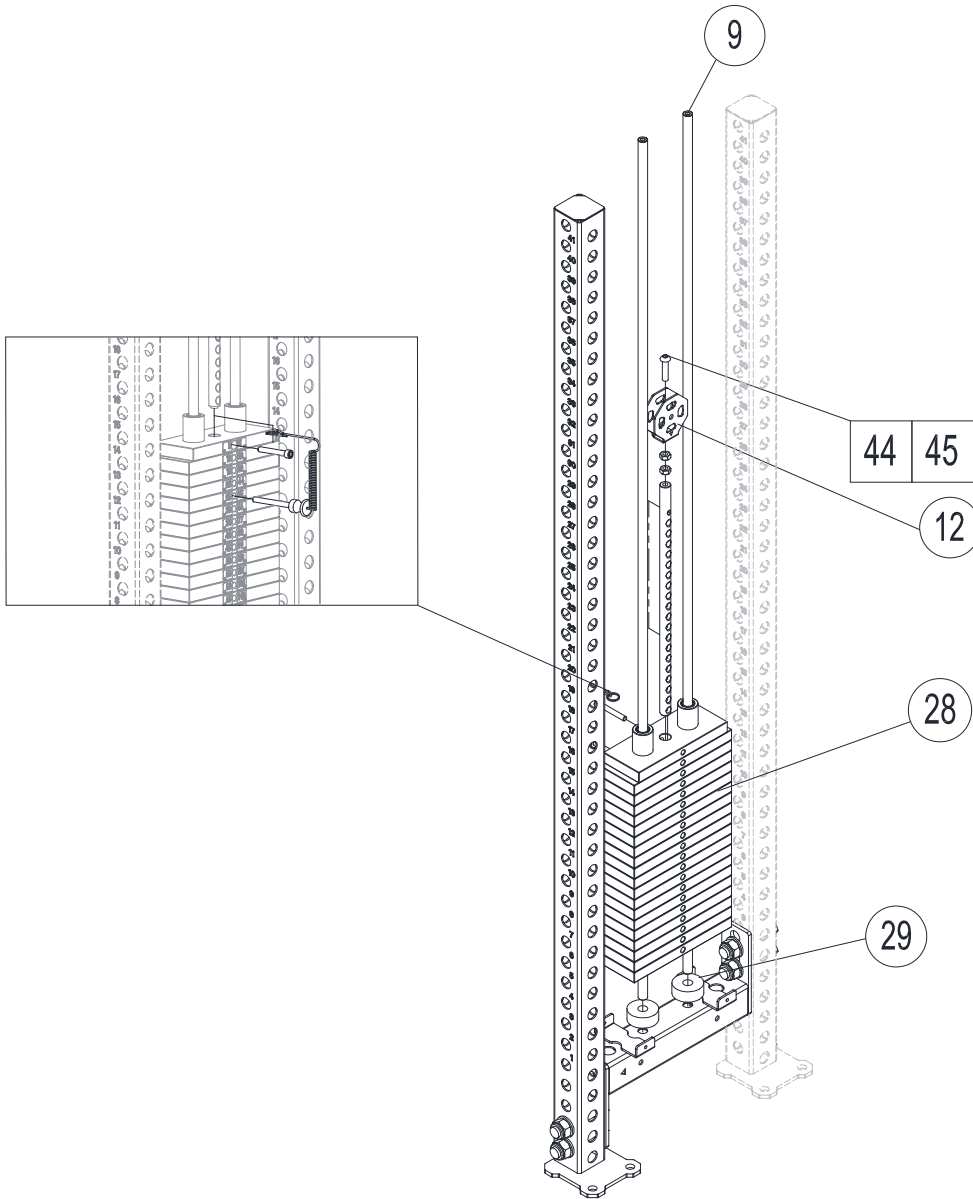


PART LIST







NUMBER	DESCRIPTION	QUANTITY
1		1
6		1
33	 24	8
36	 M24	4
43	 M24×120	4

STEP 02

Steps to install the product



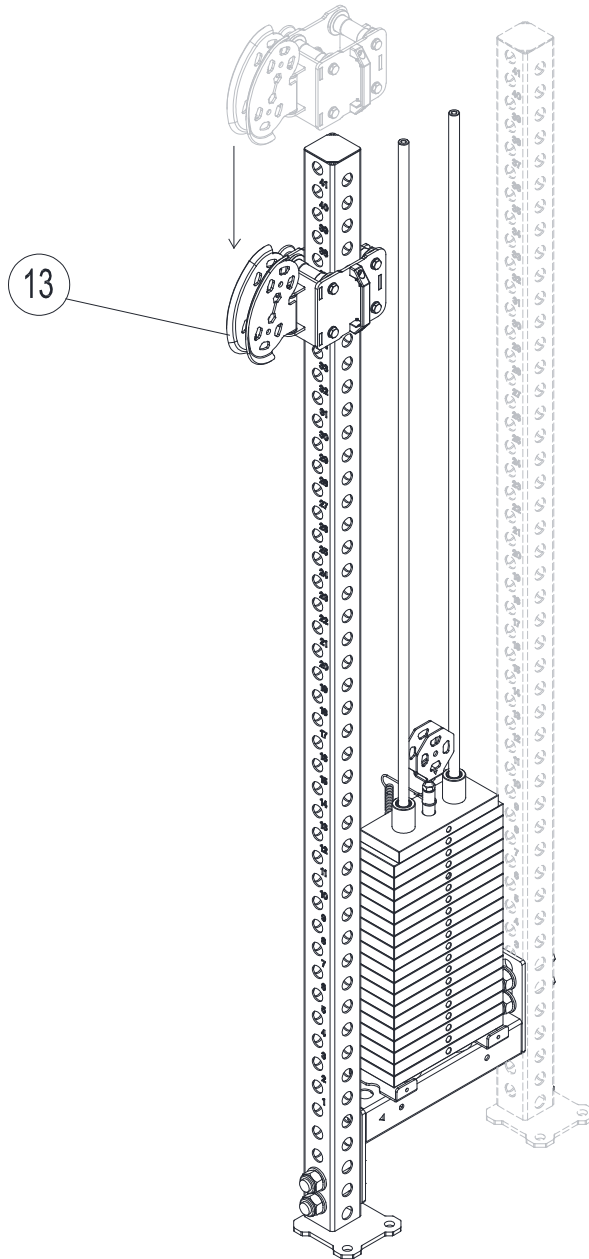
PART LIST

NUMBER	DESCRIPTION	QUANTITY
9		2
12		1
28		1
29		2
44	 12	2
45	 M12×60	1



STEP 03

Steps to install the product

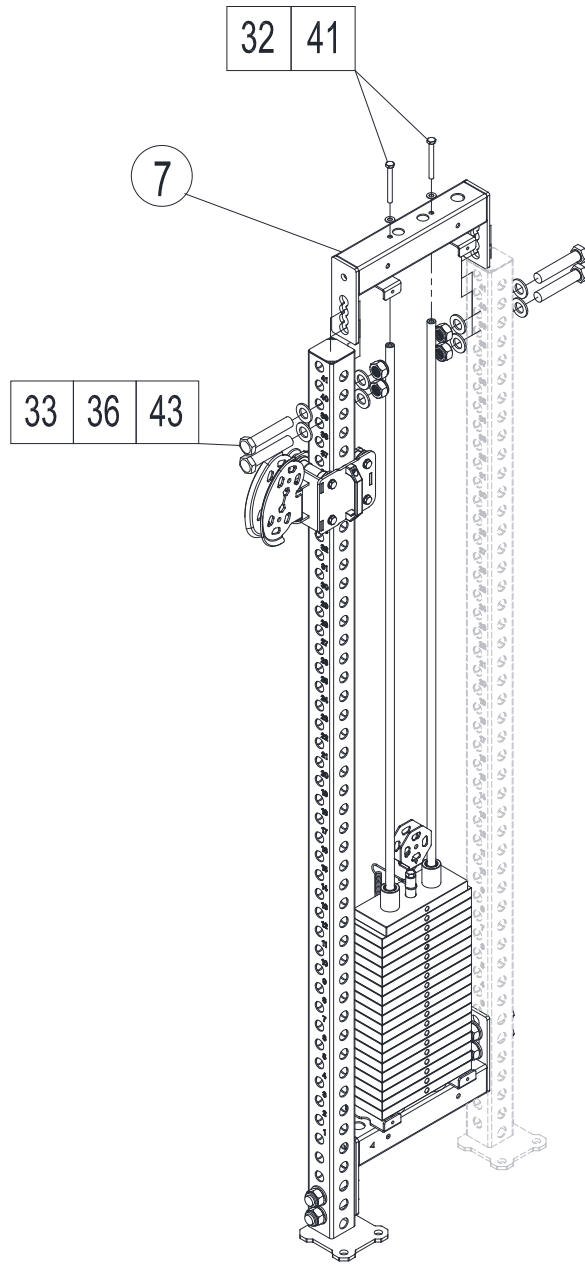


PART LIST

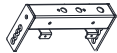





NUMBER	DESCRIPTION	QUANTITY
13		1

STEP 04

Steps to install the product

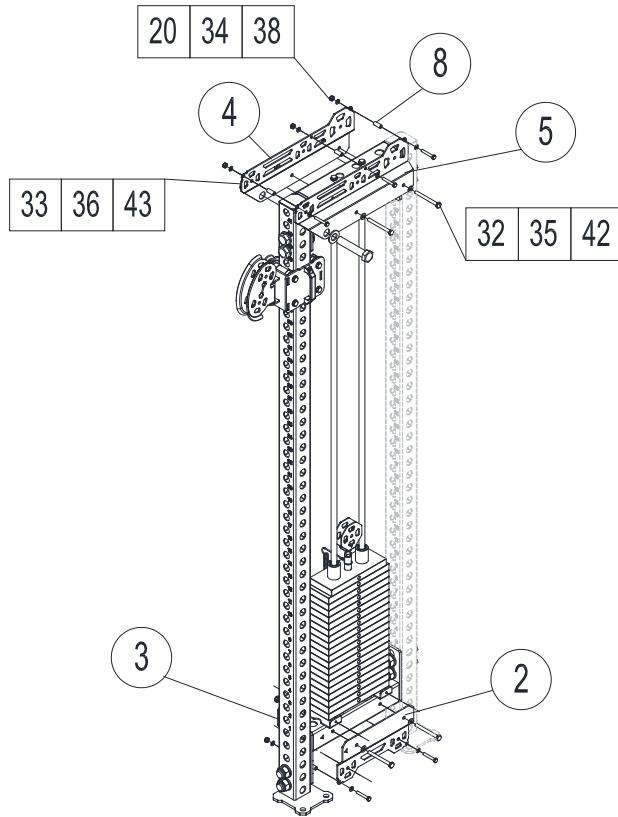


PART LIST

NUMBER	DESCRIPTION	QUANTITY
7		1
32	 10	2
33	 24	8
36	 M24	4
41	 M10×95	2
43	 M24×120	4

STEP 05

Steps to install the product

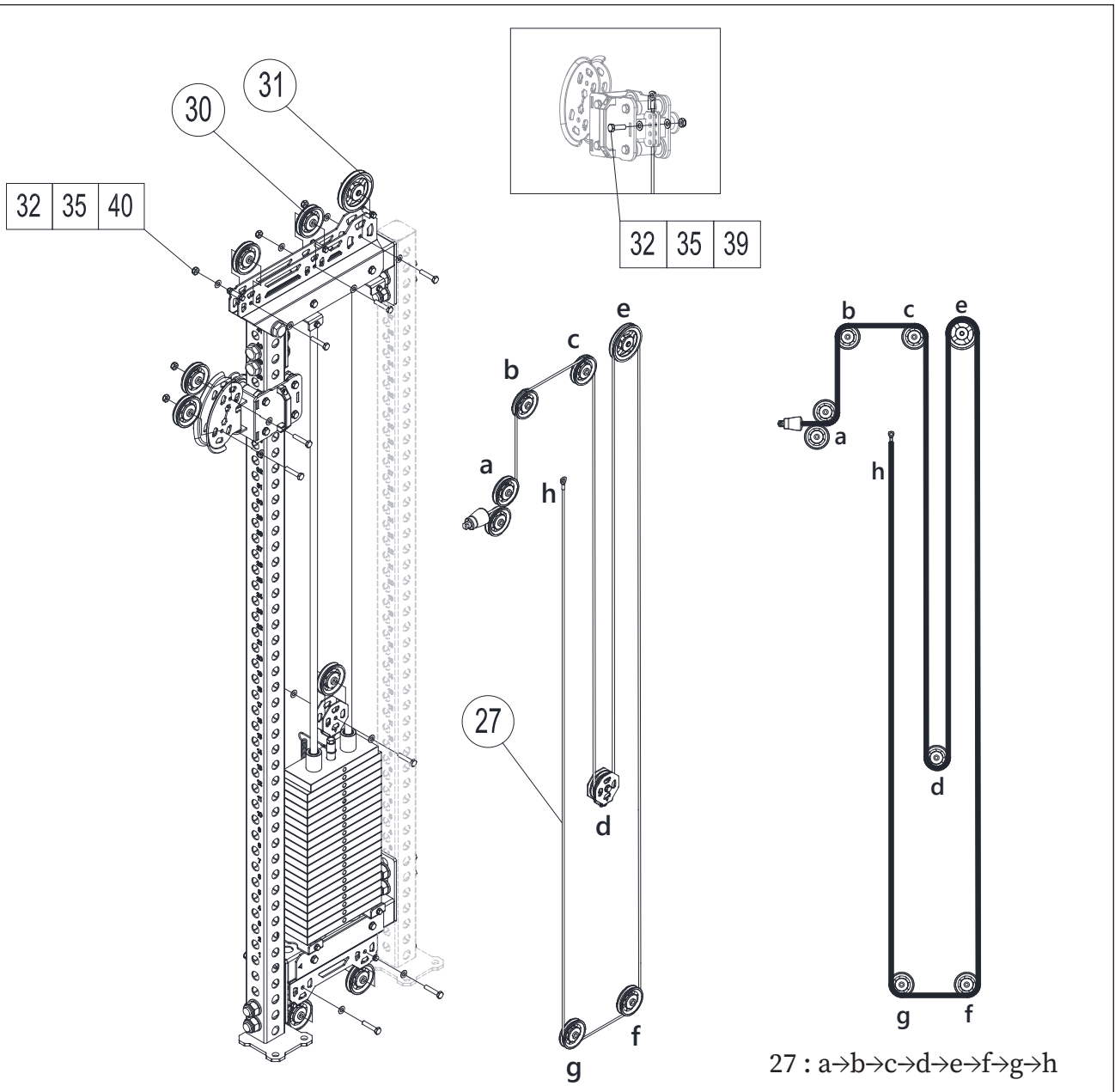


PART LIST







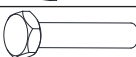
NUMBER	DESCRIPTION	QUANTITY	
2		1	
3		1	
4		1	
5		1	
8		5	
20		8	10
32		10	8
33		24	2
34		M8	5
35		M10	4
36		M24	1
38		M8×50	5
42		M10×100	4
43		M24×120	1

STEP 06

Steps to install the product



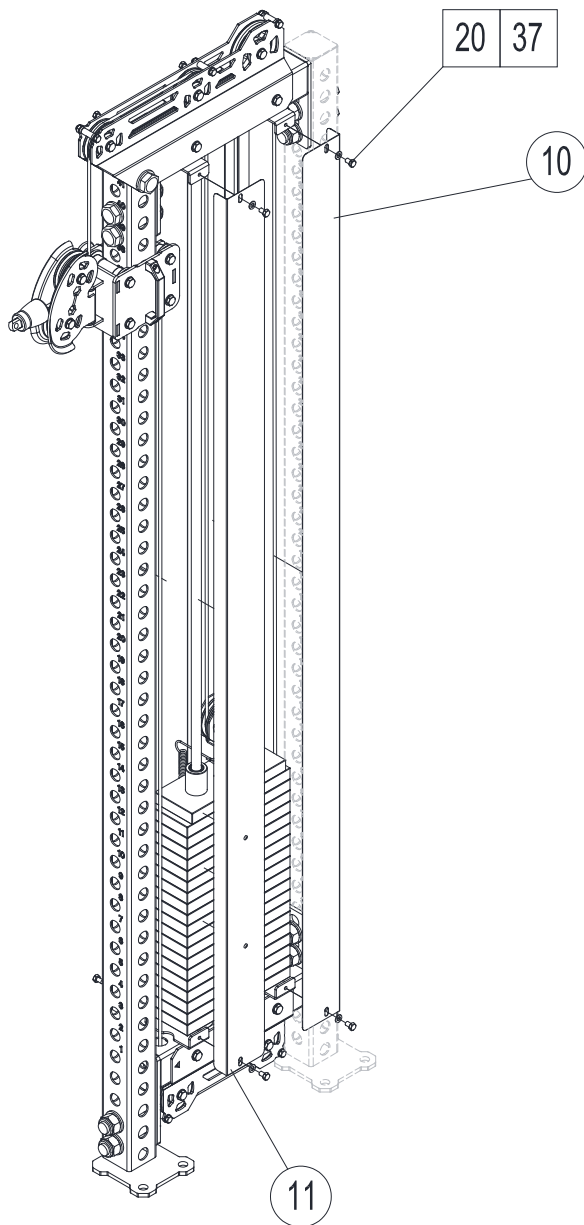
PART LIST

NUMBER	DESCRIPTION	QUANTITY
27		1
30		7
31		1
32	 10	18
35	 M10	9
39	 M10×35	1
40	 M10×50	8







STEP 07

Steps to install the product



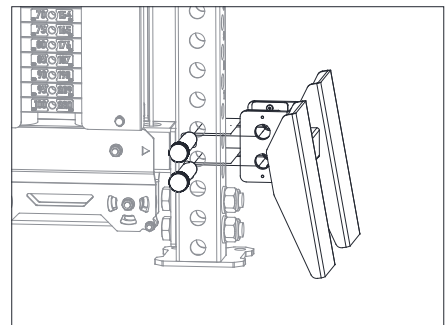
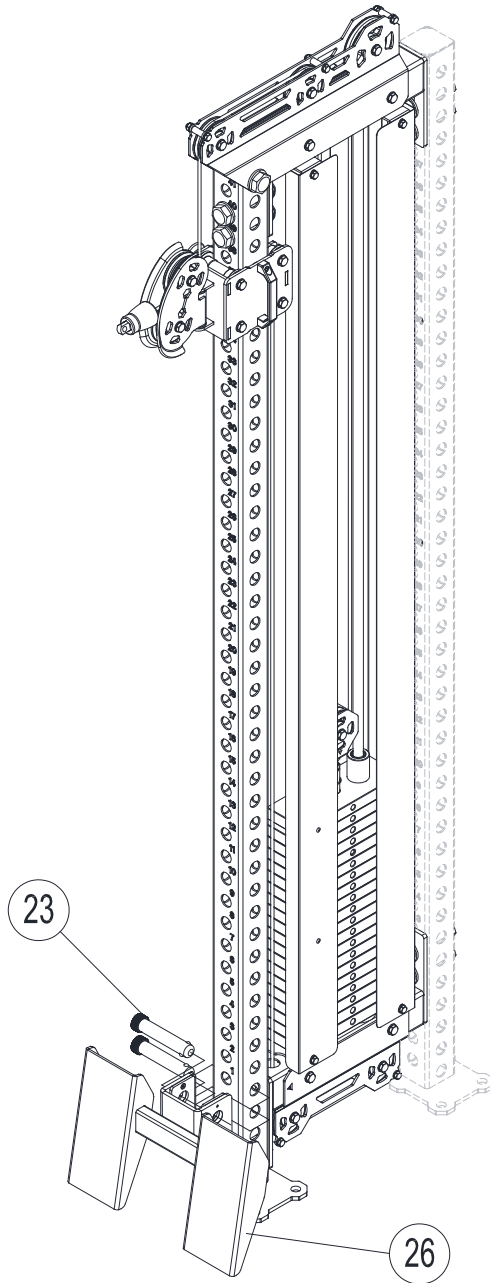
PART LIST

NUMBER	DESCRIPTION	QUANTITY
10		3
11		1
20	 8	8
37	 M8×12	8





STEP 08

Steps to install the product



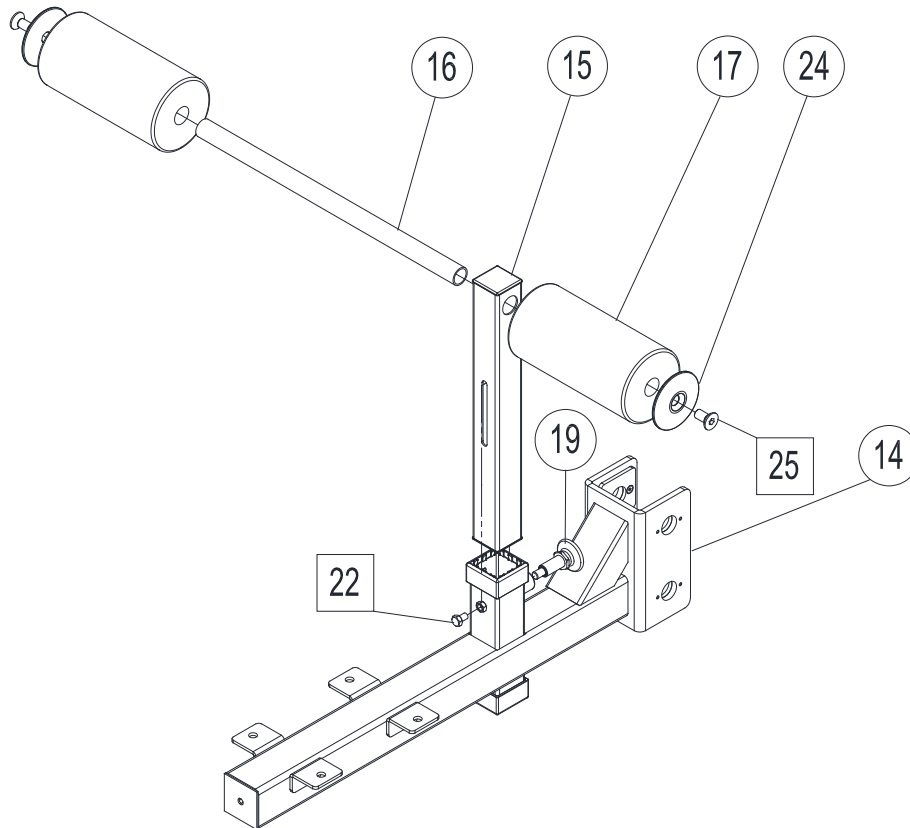
PART LIST

NUMBER	DESCRIPTION	QUANTITY
23		2
26		1











STEP 09

Steps to install the product



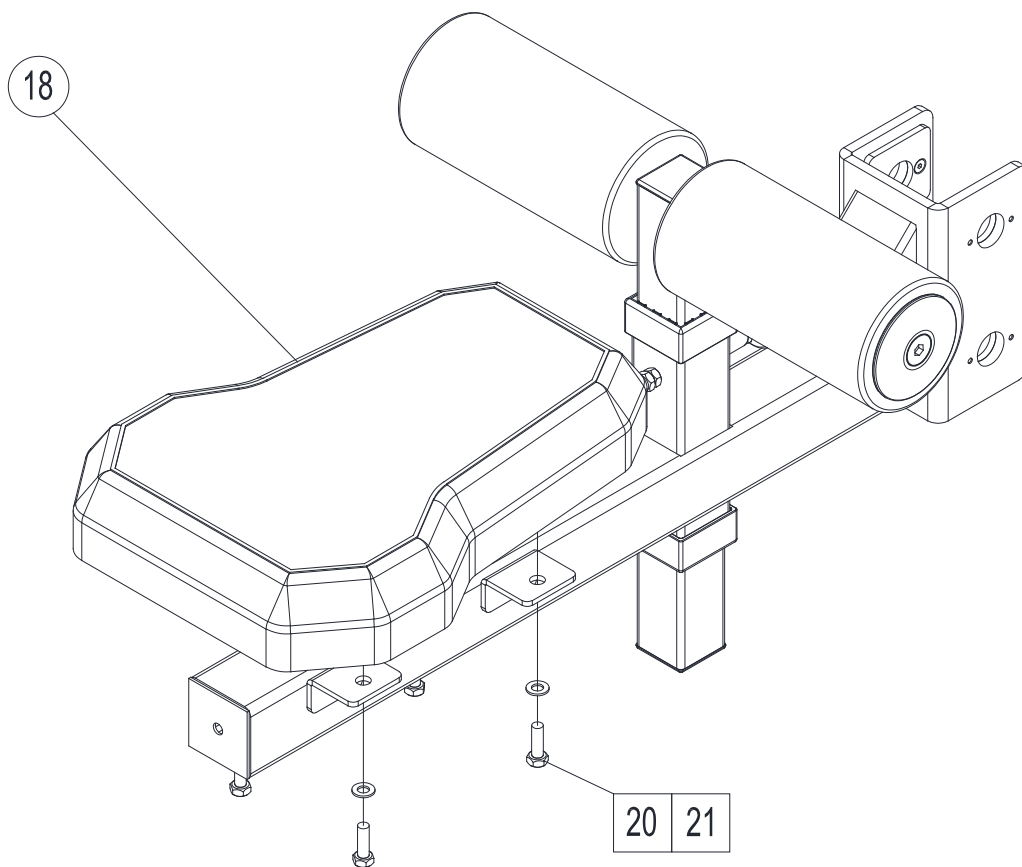
PART LIST

NUMBER	DESCRIPTION	QUANTITY
14		1
15		1
16		1
17		2
19		1
22	 M8×12	1
24		2
25	 M12×25	2






STEP 10

Steps to install the product



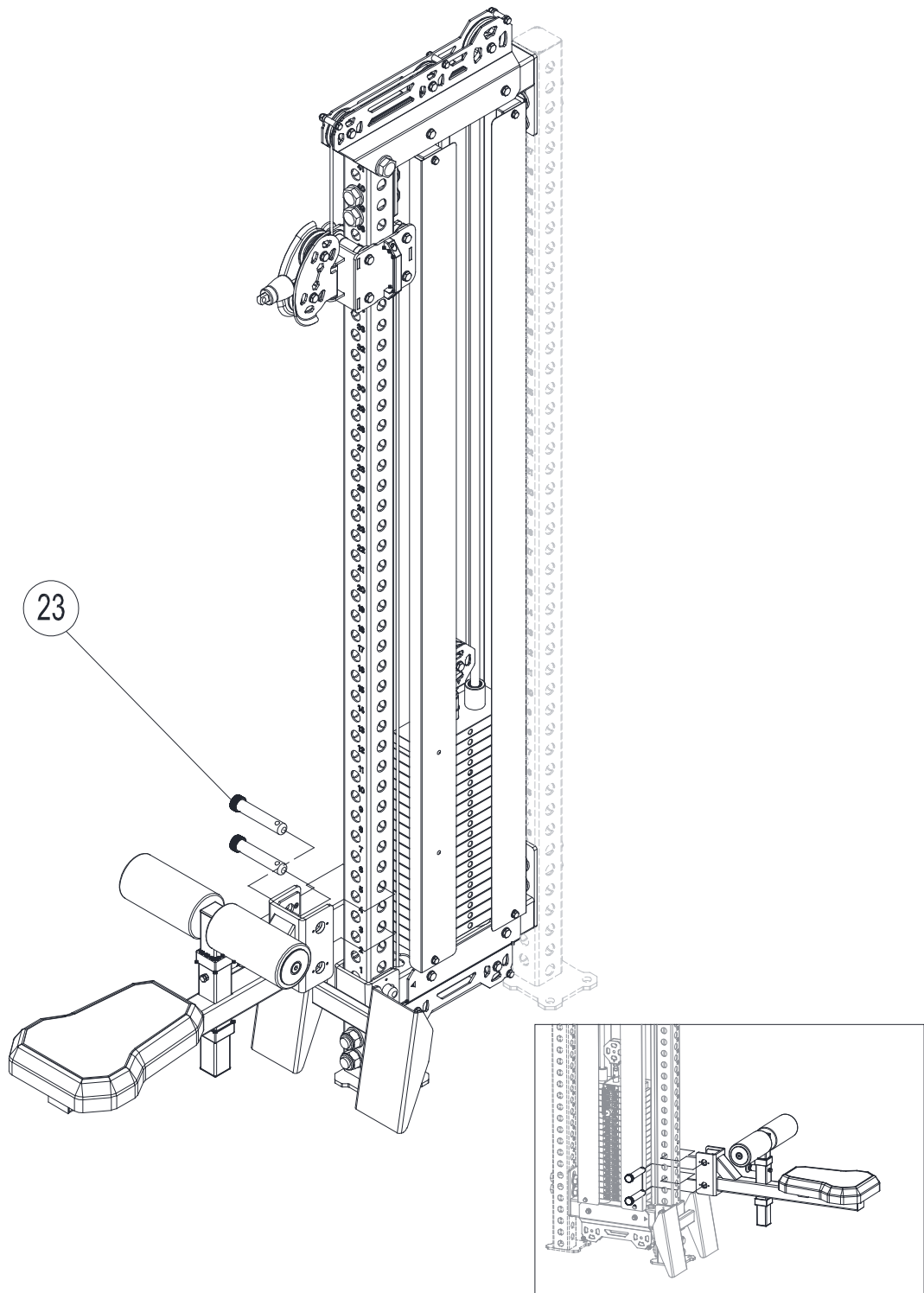
PART LIST

NUMBER	DESCRIPTION	QUANTITY
18		1
20		8
21	 M8×25	4




STEP 11

Steps to install the product



PART LIST

NUMBER	DESCRIPTION	QUANTITY
23		2

▶ BLISTER PAPER

You need to follow the steps to install it

