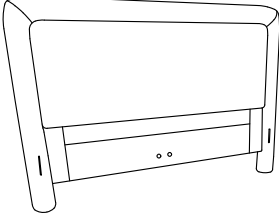
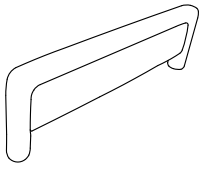
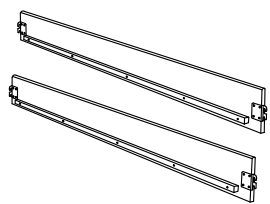

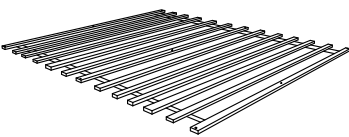
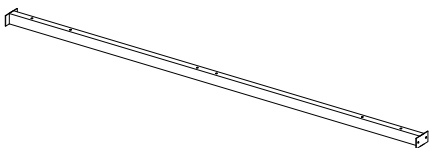




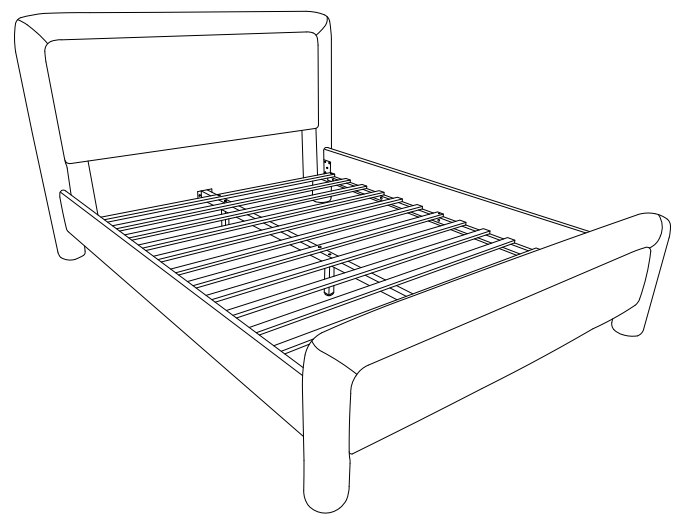


ASSEMBLY INSTRUCTION

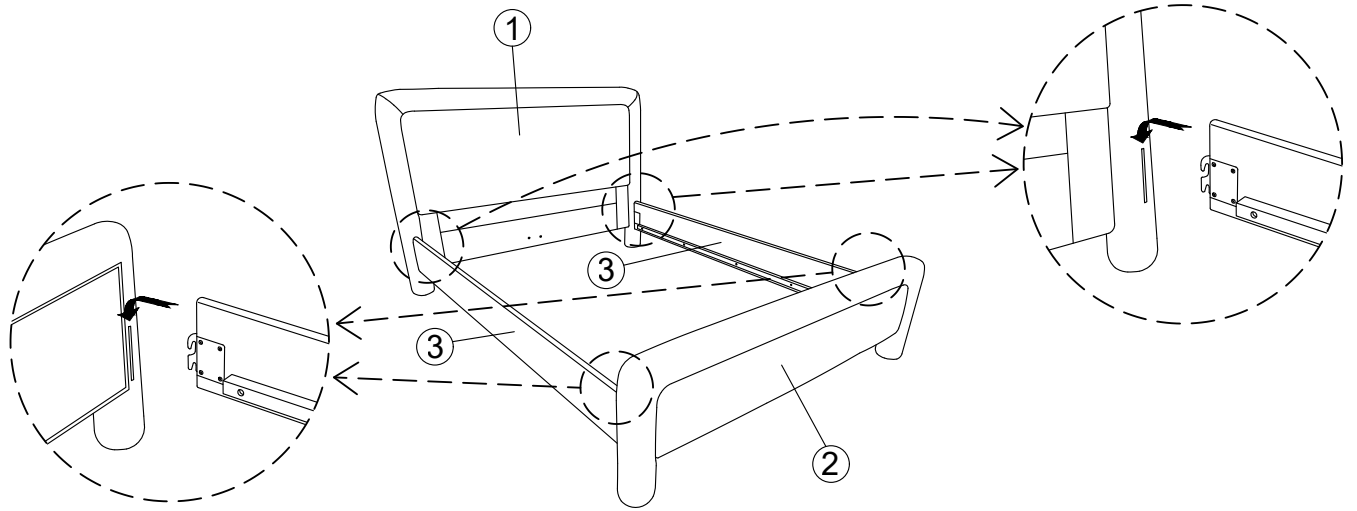
MODEL : ARC QUEEN BED	ASSEMBLY PART	
1.  Headboard Panel - 1 pc	2.  Footboard Panel - 1 pc	3.  Side Rail - 2 pcs
4.  Support Leg - 3 pcs	5.  Slats(13pcs) - 1 pc	6.  Slat Support (Iron)- 1 pc

NO	HARDWARE DESCRIPTION	QTY
A	Allen Key M4 	1 PC
B	JCBC Bolt M6 x 35mm 	7 PCS
C	JCBC Bolt M6 x 60mm 	3 PCS
D	CBS Screw M4 x 32mm 	6 PCS

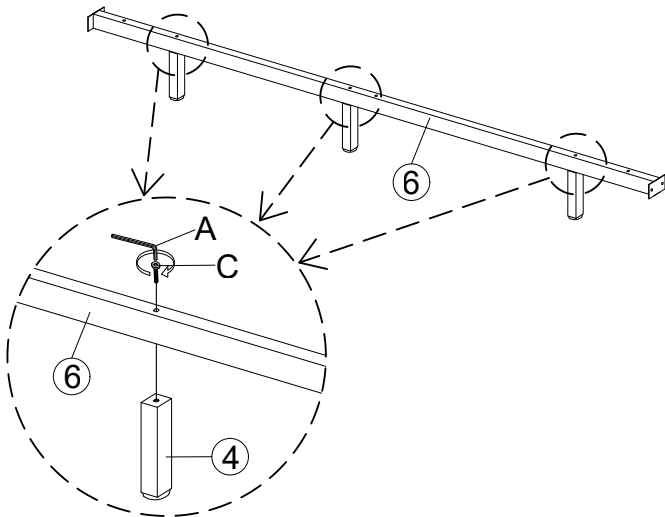


Complete Assembled

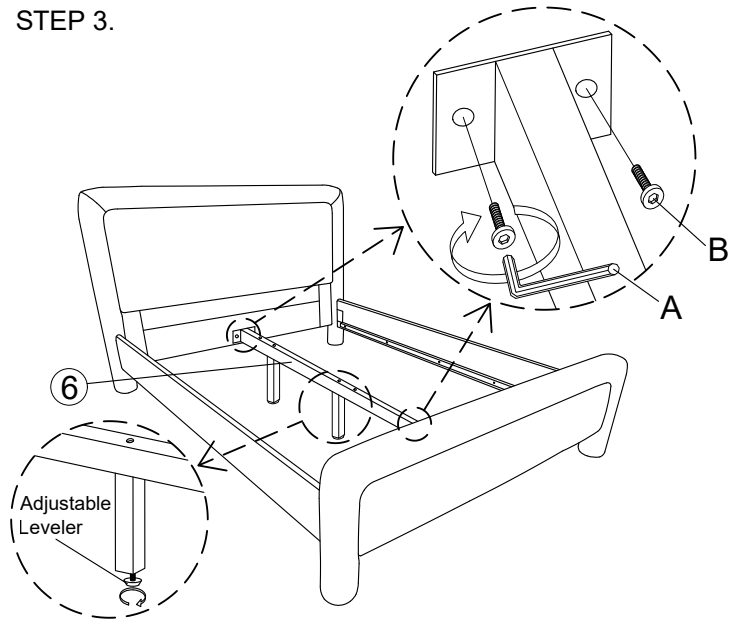
STEP 1.



STEP 2.



STEP 3.



STEP 4.

