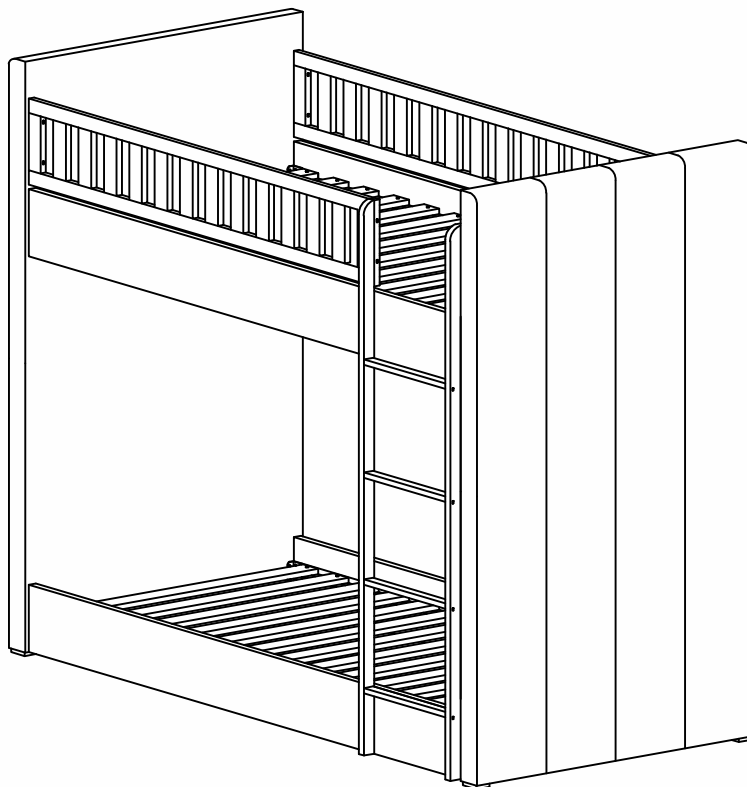


CANNES

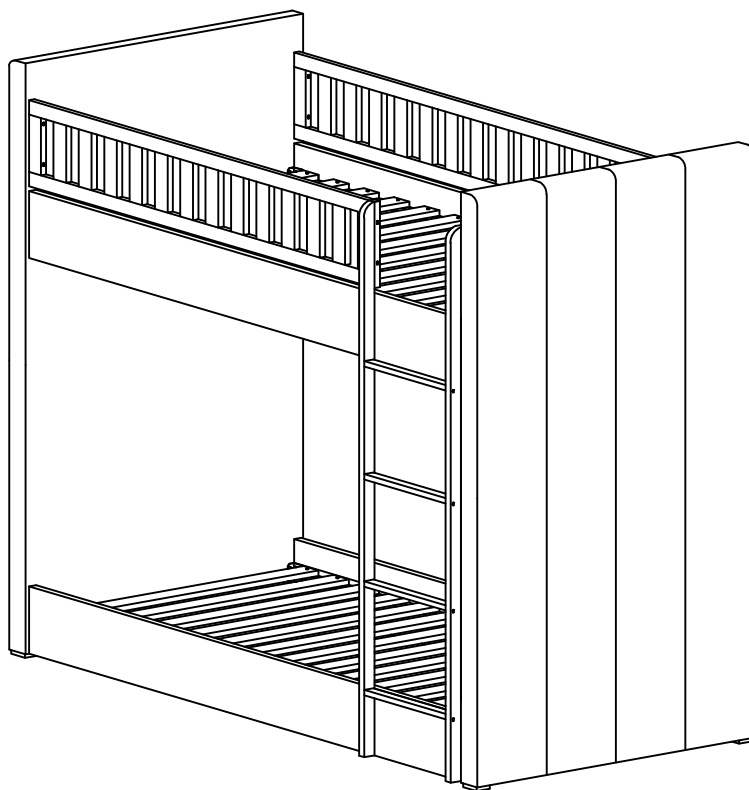
BUNK BED






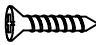




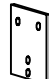
- Please do not throw away any of the packaging or instructions until you have checked all the components and hardware and have successfully completed the assembly
- Before starting the assembly, please spend a short time looking through this leaflet.
- We suggest building your item on a soft surface such as a rug or carpet, or even the packaging this item arrived in. This will help protect the product and your floor!
- Please only use the appropriate tools needed for each task as indicated or mentioned.
- Ensure you have 2 people if your product is heavy or large, or awkward for you.
- Assemble all components loosely until the final stages.
- Keep the assembly tools with the instructions. depending on use, it will be necessary to perform maintenance or upkeep on your product.
- Please keep small pieces out of reach of small children
- If you encounter any issues or concerns before, during or after assembly, be they large, small or strange, please let us know at customercare@b2cfurniture.com.au We have a dedicated support team with solutions and remedies ready to put them into action for you.
- Final step, enjoy your furniture!

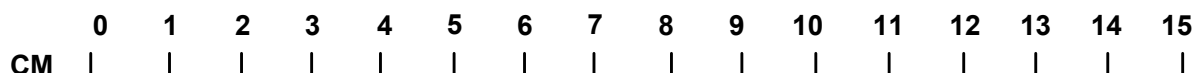
CANNES

BUNK BED

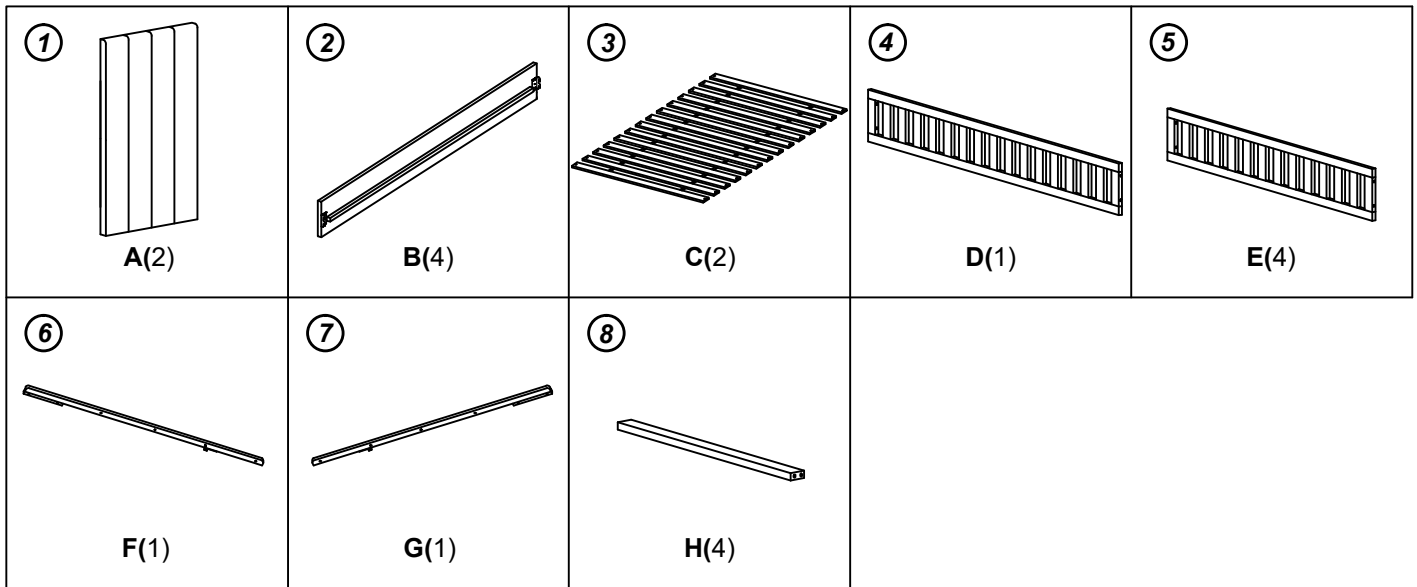


- M6
- M8
- M10

				
M6 x 65mm	M6 x 55mm	M6 x 13mm	M4 x 32mm	M8 x 30mm
1(6)	2(12)	3(2)	4(56)	5(16)
				
M4 L-KEY	M5 L-KEY	M3.5 x 16mm		
6(1)	7(1)	8(18)	9(3)	

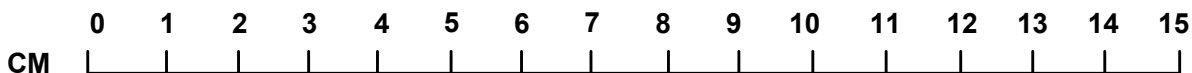
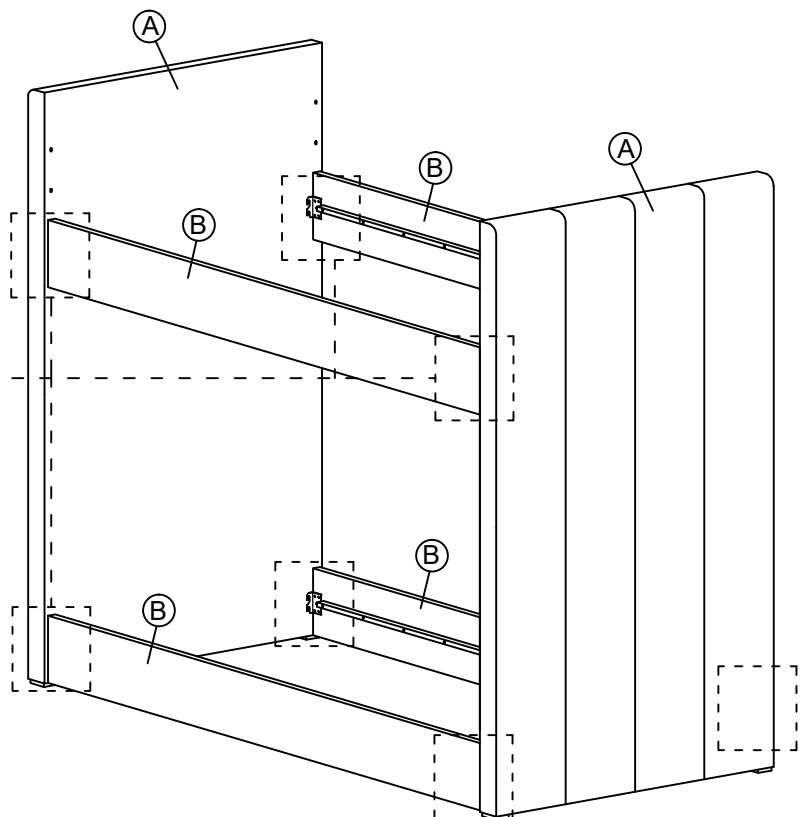
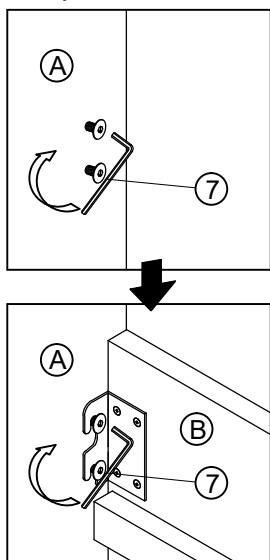


CANNES BUNK BED

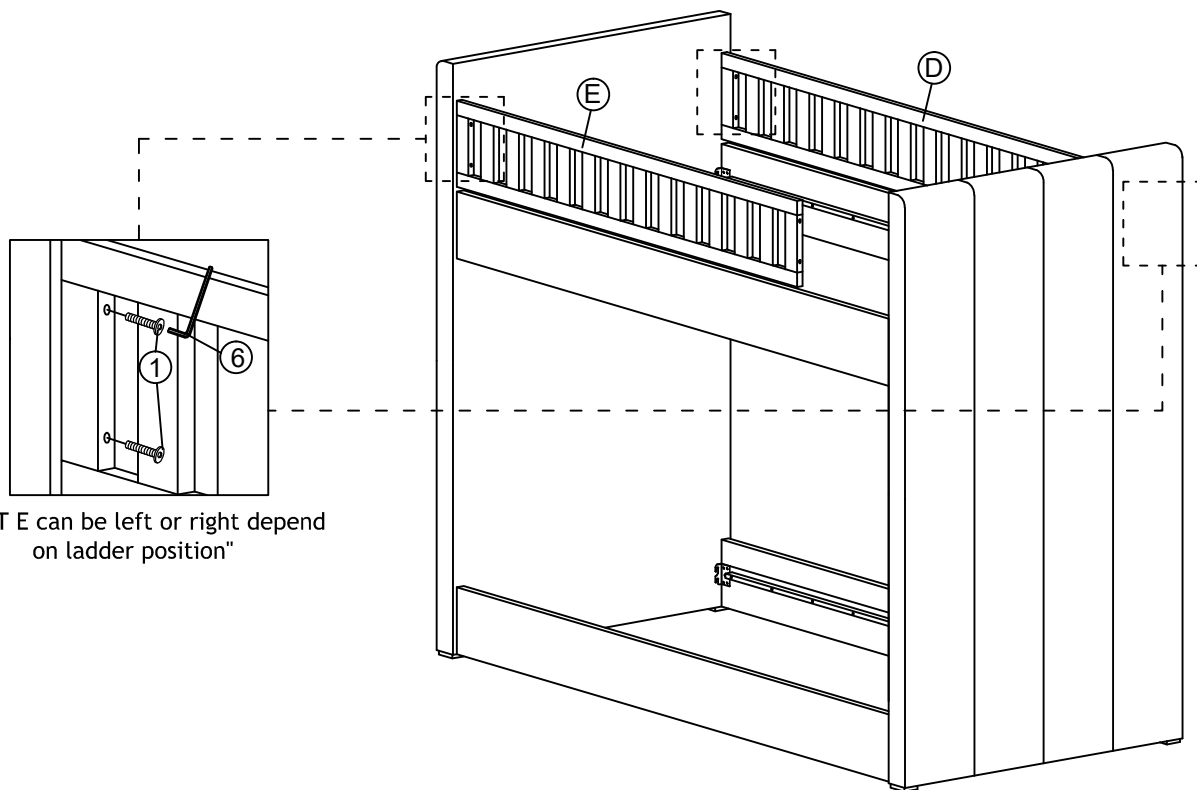


1.

"Assembly 80% before slat insert"

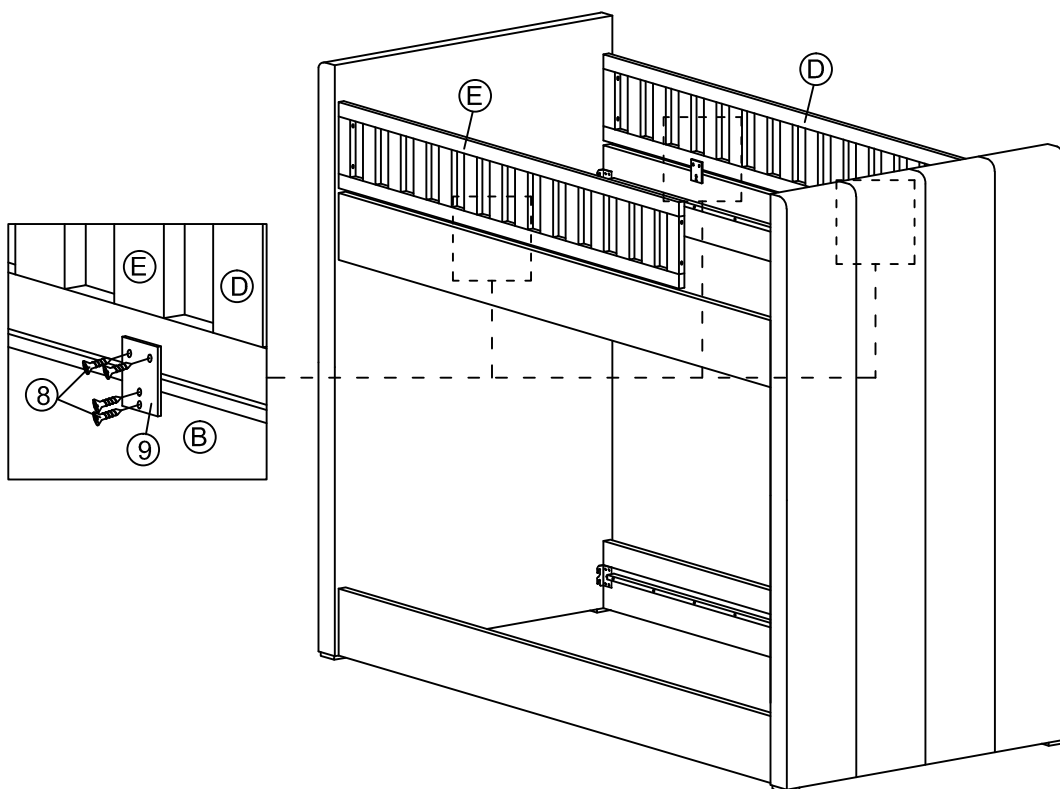


2.

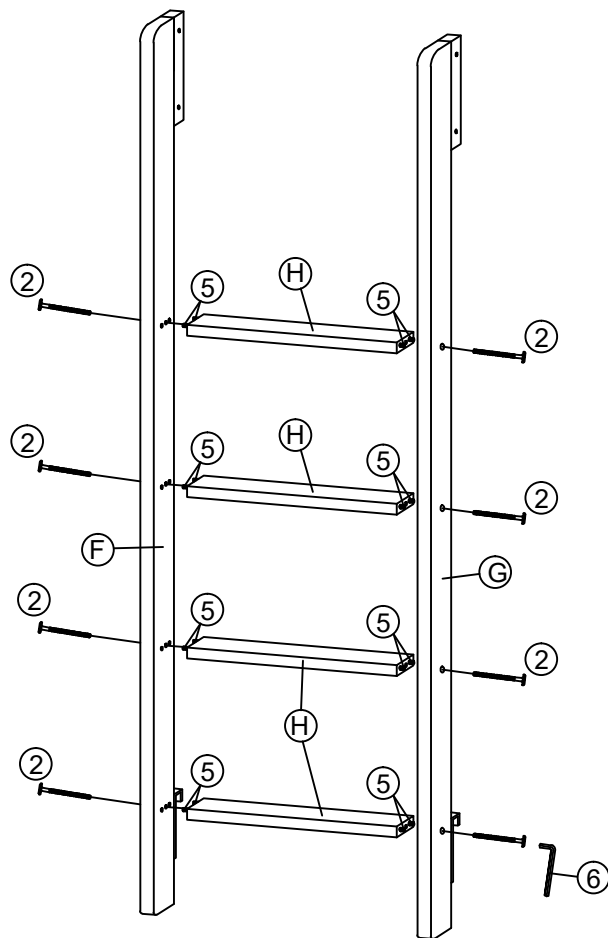


"PART E can be left or right depend on ladder position"

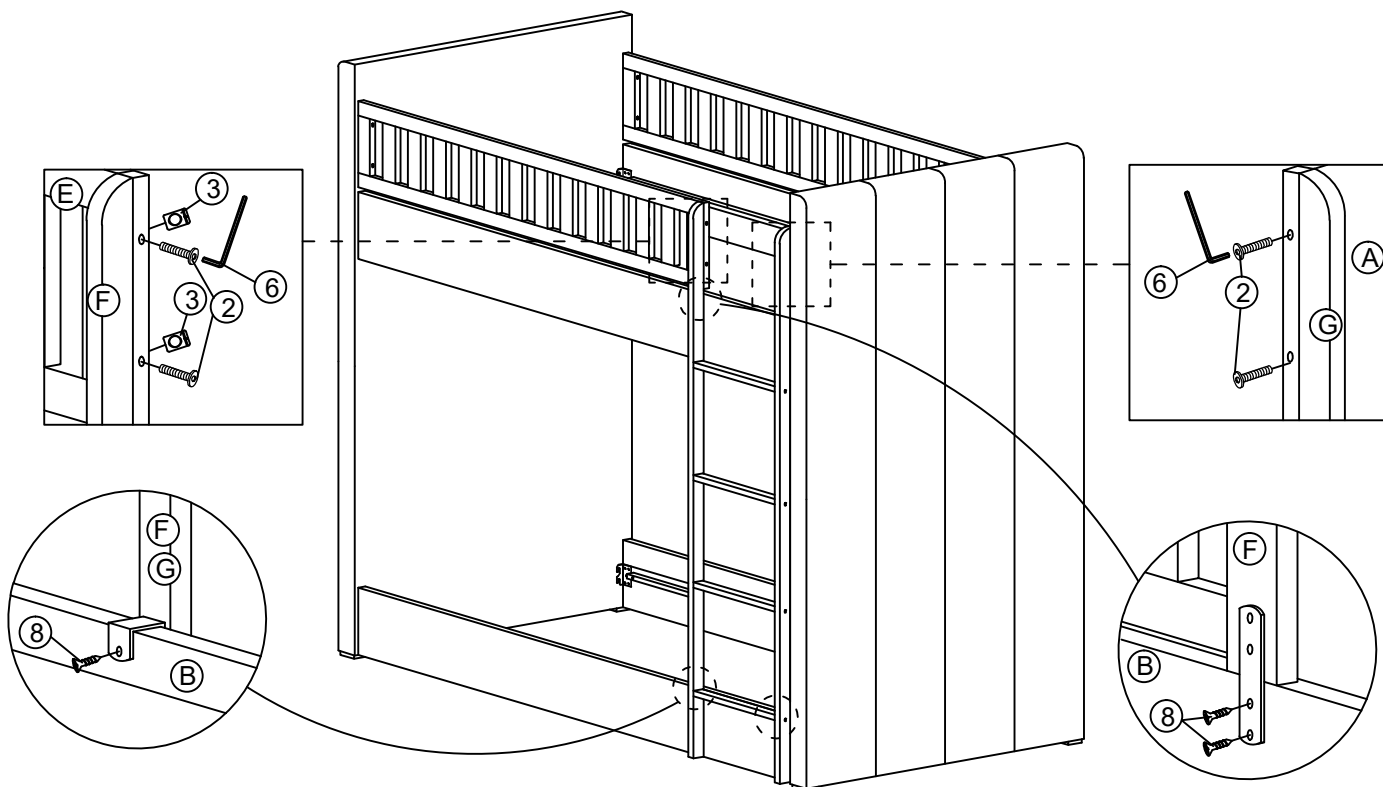
3.



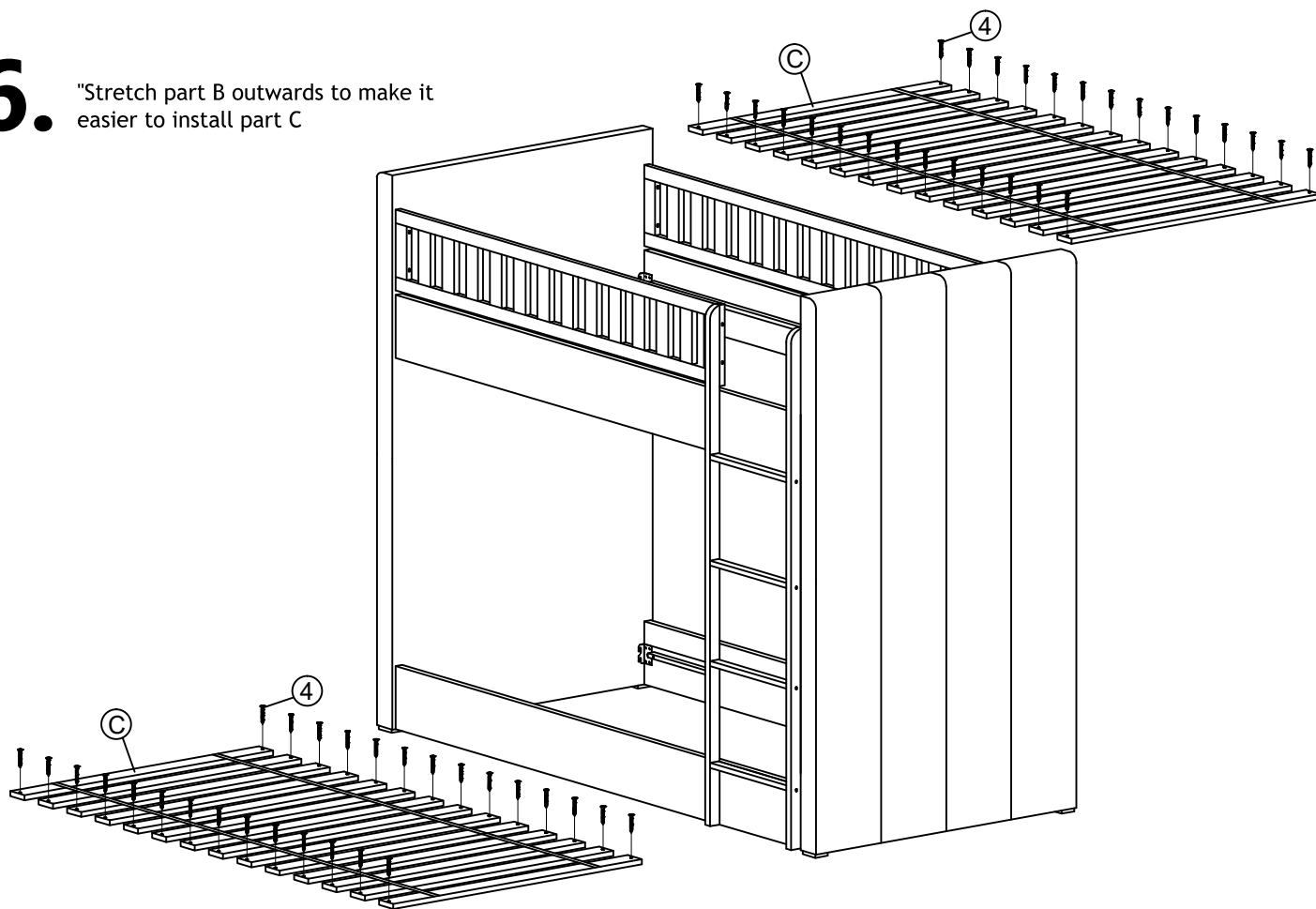
4.



5.



6. "Stretch part B outwards to make it easier to install part C"



7. "Fully Tighten"

