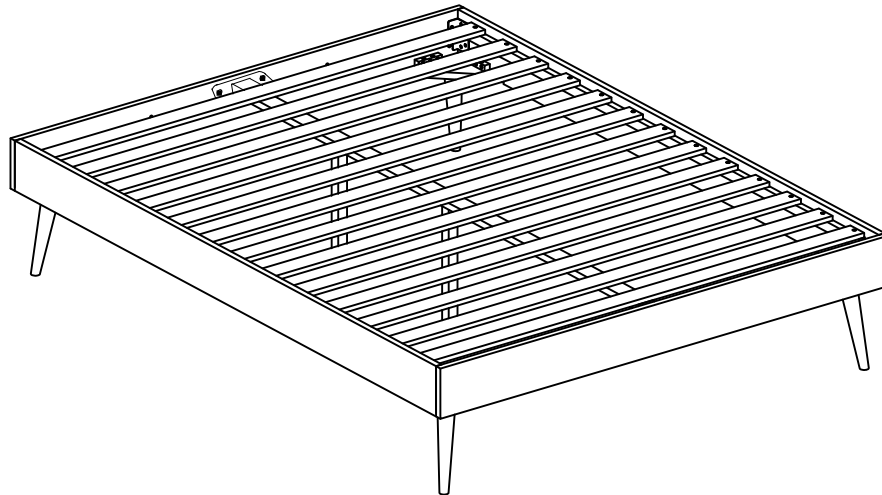


FRANKI

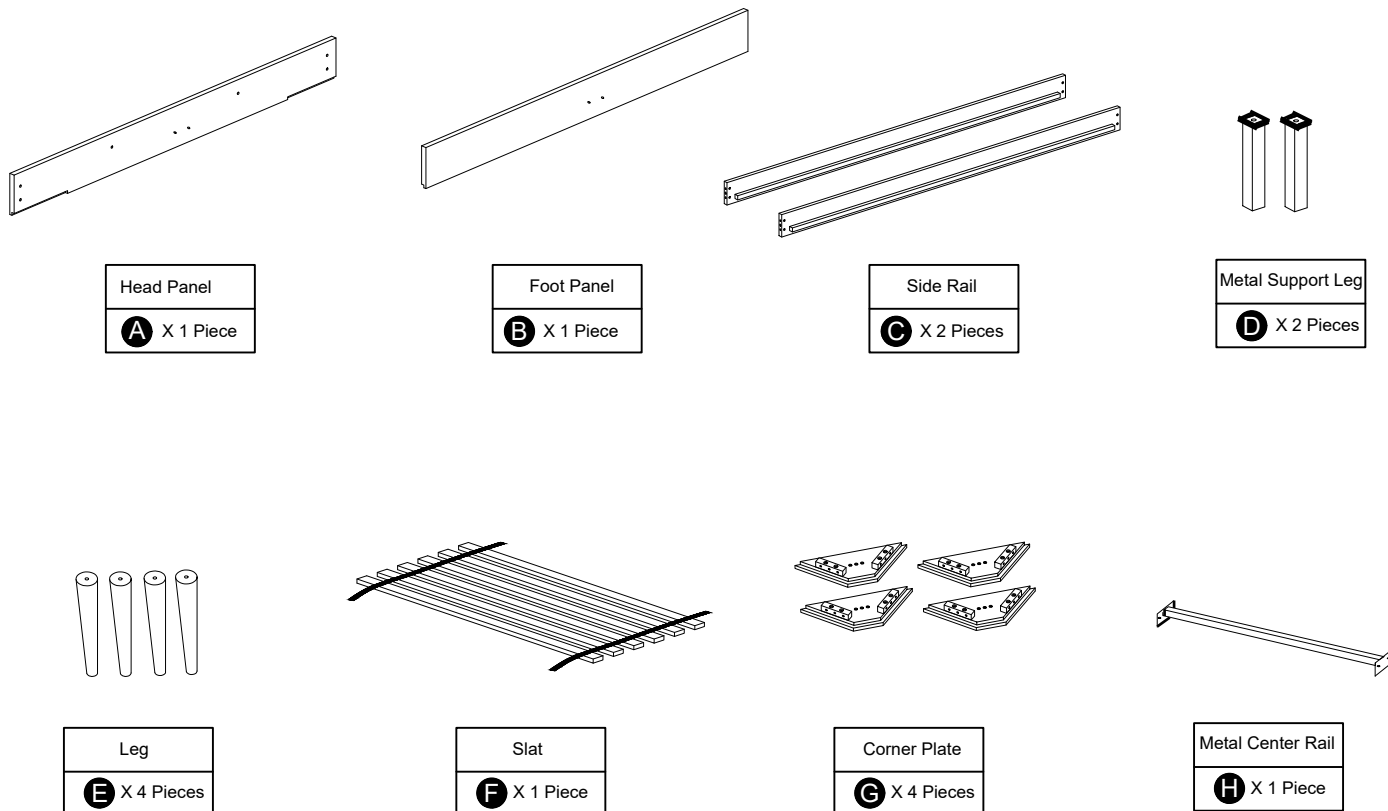
Bed Base

Queen

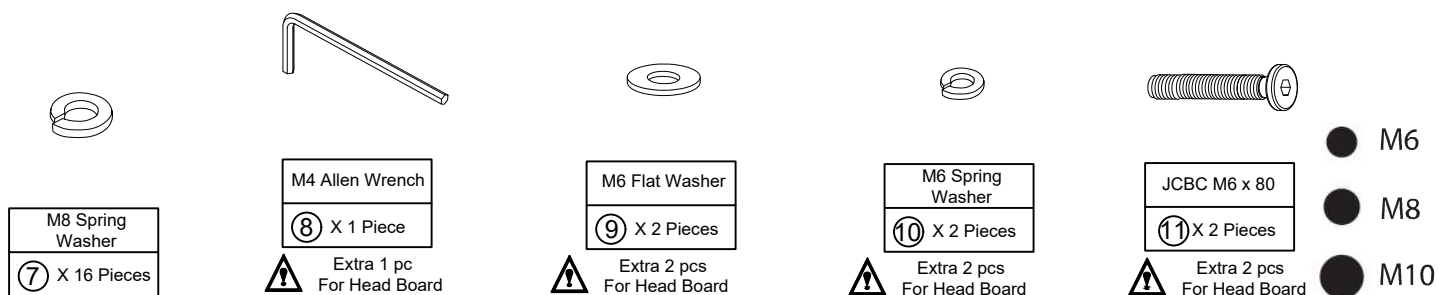
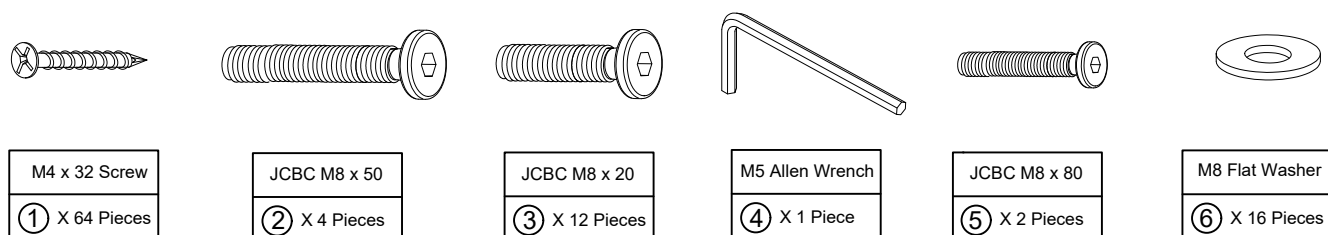


- Please do not throw away any of the packaging or instructions until you have checked all the components and hardware and have successfully completed the assembly
- Before starting the assembly, please spend a short time looking through this leaflet.
- We suggest building your item on a soft surface such as a rug or carpet, or even the packaging this item arrived in. This will help protect the product and your floor!
- Please only use the appropriate tools needed for each task as indicated or mentioned.
- Ensure you have 2 people if your product is heavy or large, or awkward for you.
- Assemble all components loosely until the final stages.
- Keep the assembly tools with the instructions. depending on use, it will be necessary to perform maintenance or upkeep on your product.
- Please keep small pieces out of reach of small children
- If you encounter any issues or concerns before, during or after assembly, be they large, small or strange, please let us know at customercare@b2cfurniture.com.au We have a dedicated support team with solutions and remedies ready to put them into action for you.
- Final step, enjoy your furniture!

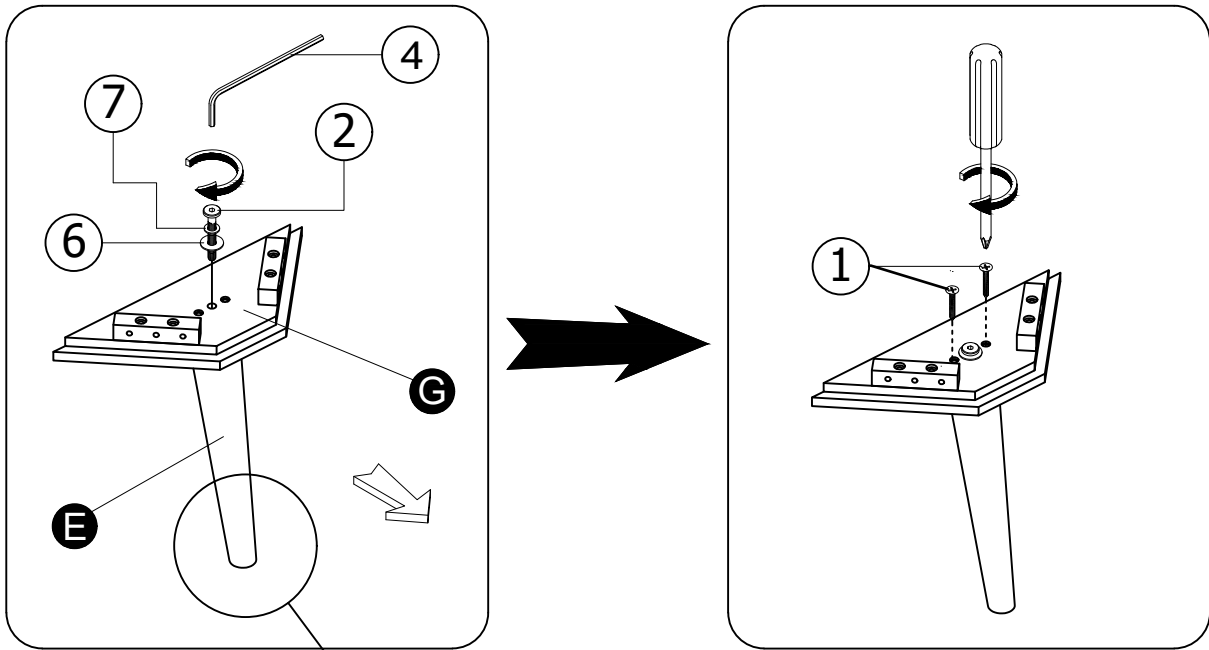
Parts supplied for assembly



Hardware supplied for assembly



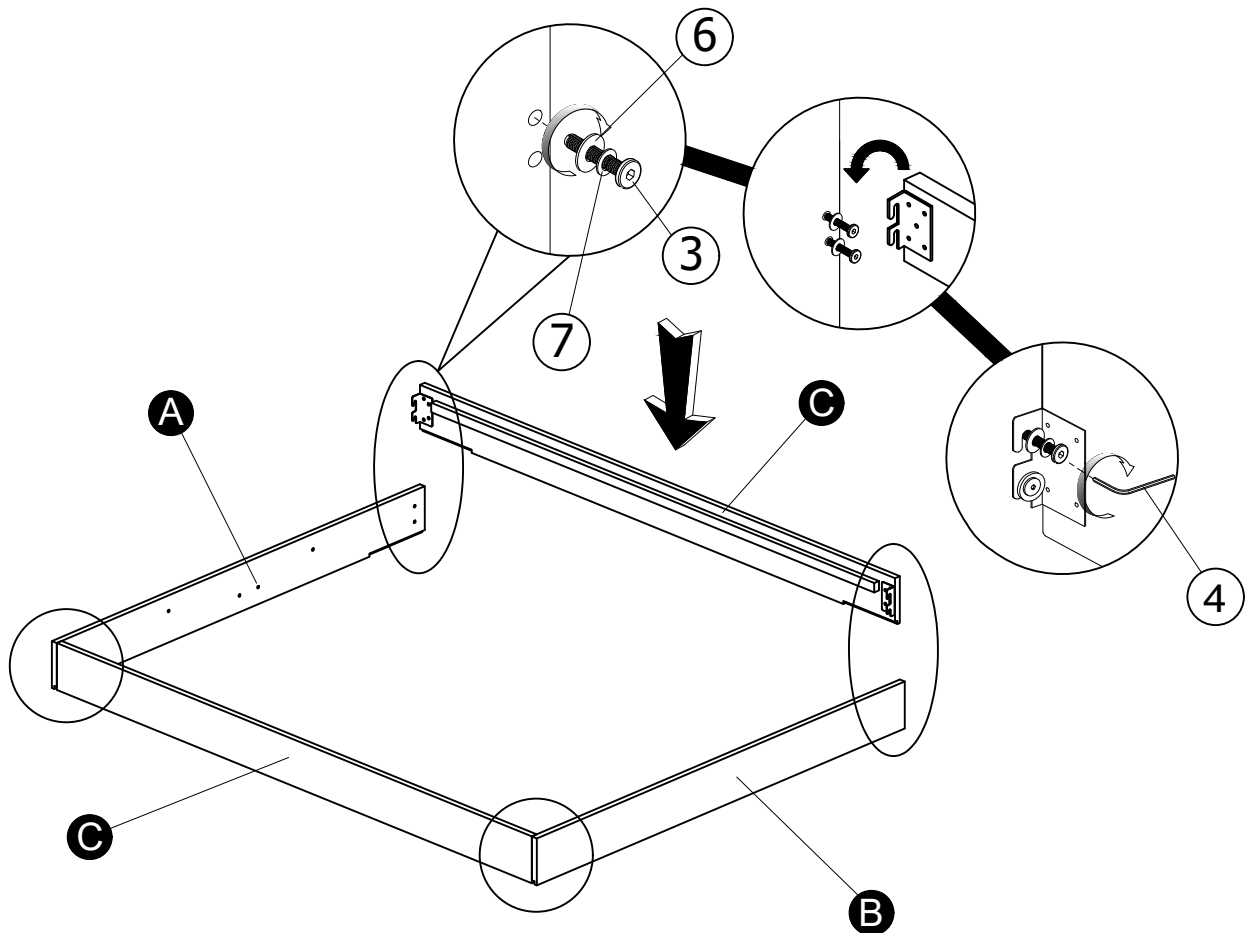
1.



The LEG must be turn to the right position.

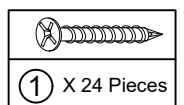
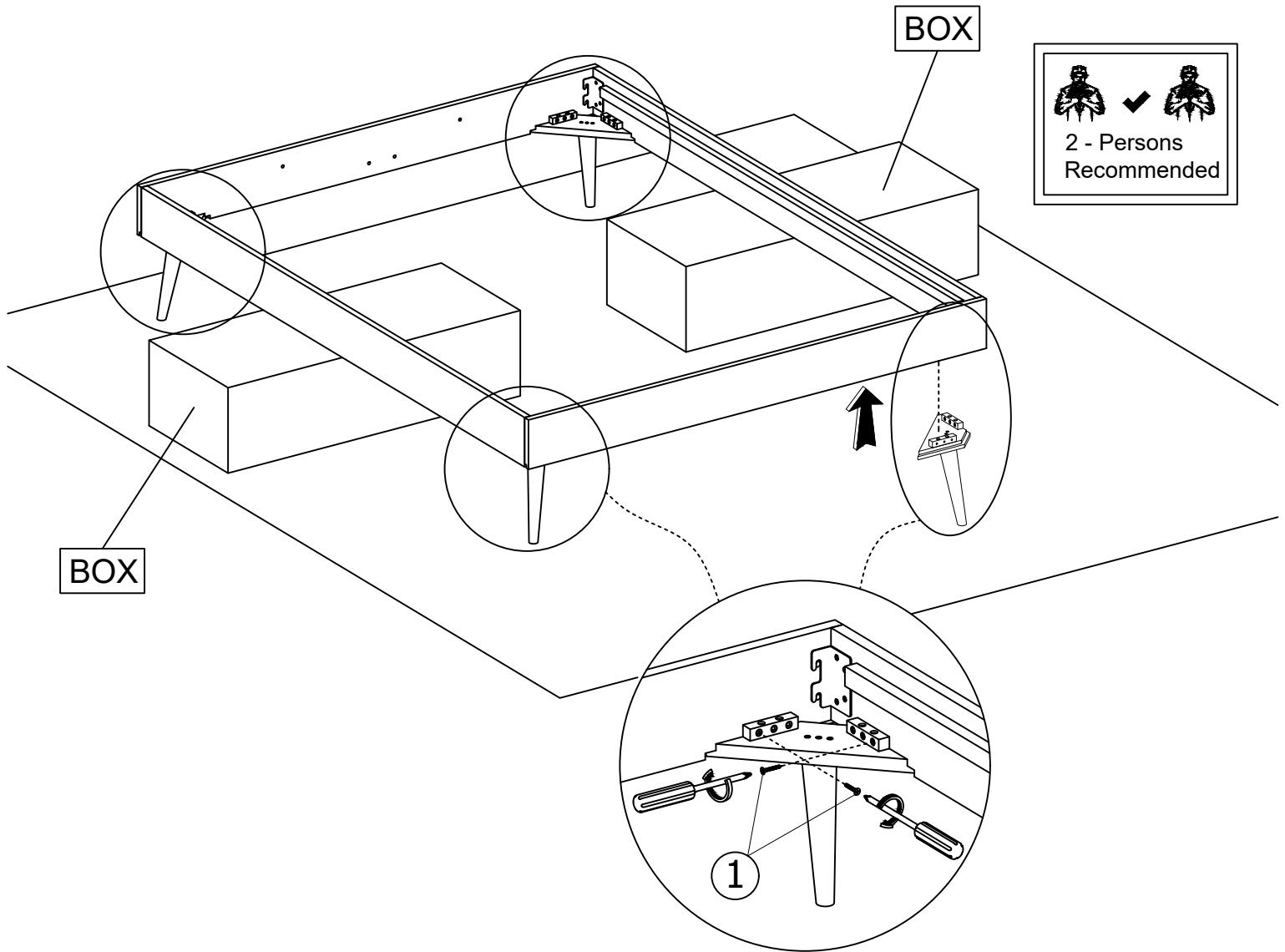
② X 4 Pieces	⑥ X 4 Pieces	⑦ X 4 Pieces	④ X 1 Piece	① X 8 Pieces

2.

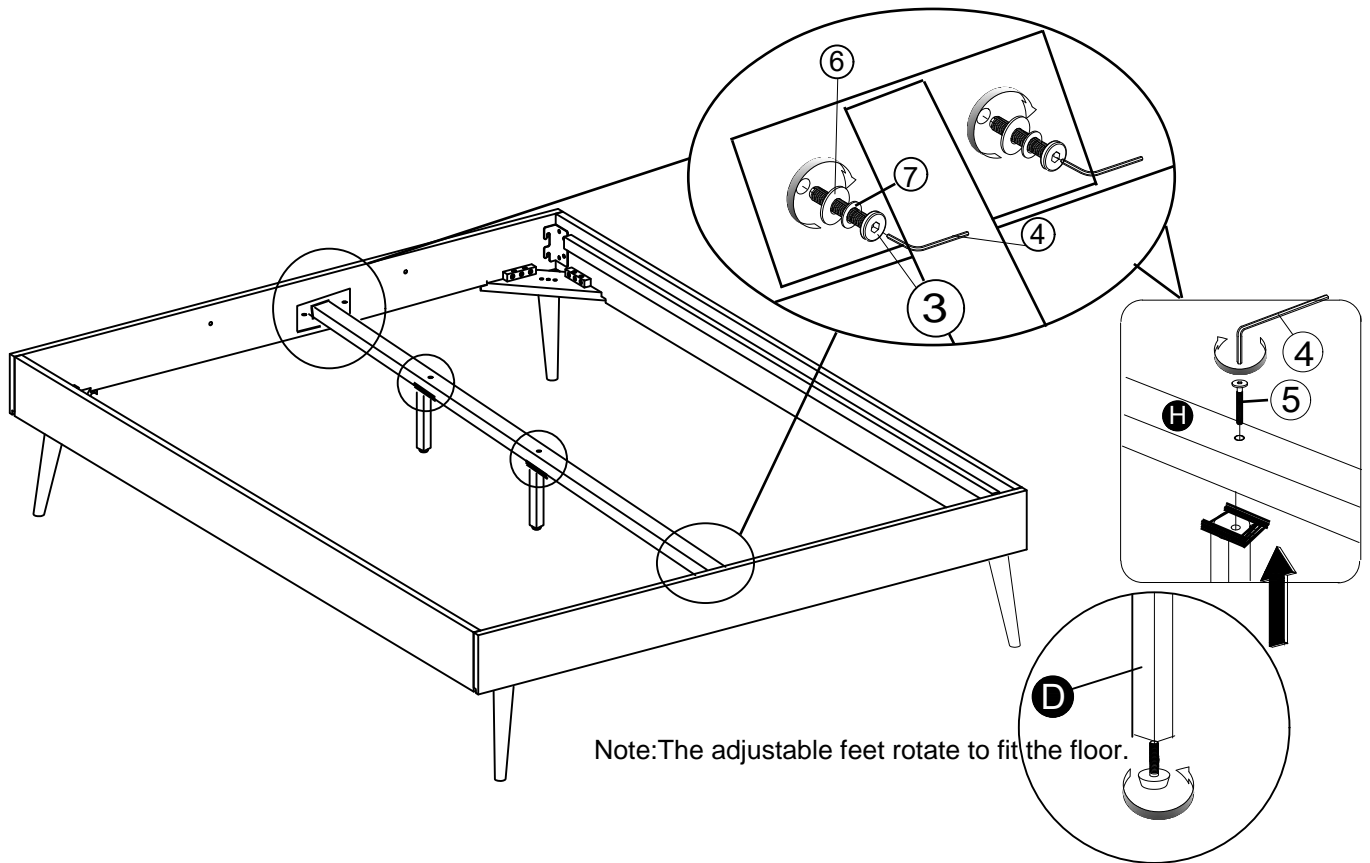


③ X 8 Pieces	⑥ X 8 Pieces	⑦ X 8 Pieces	④ X 1 Piece




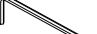

3.



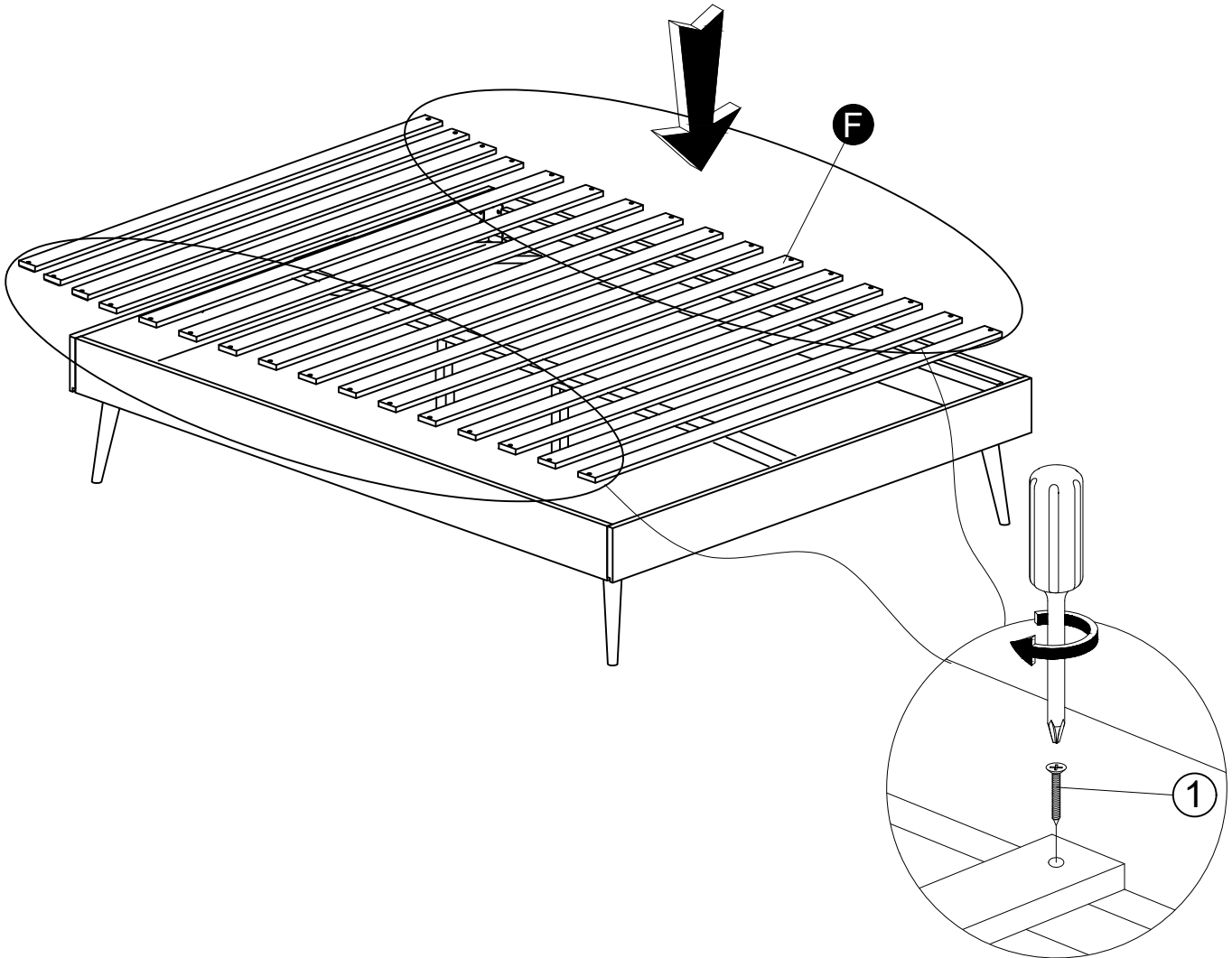
4.

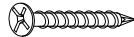
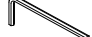


Note: The adjustable feet rotate to fit the floor.

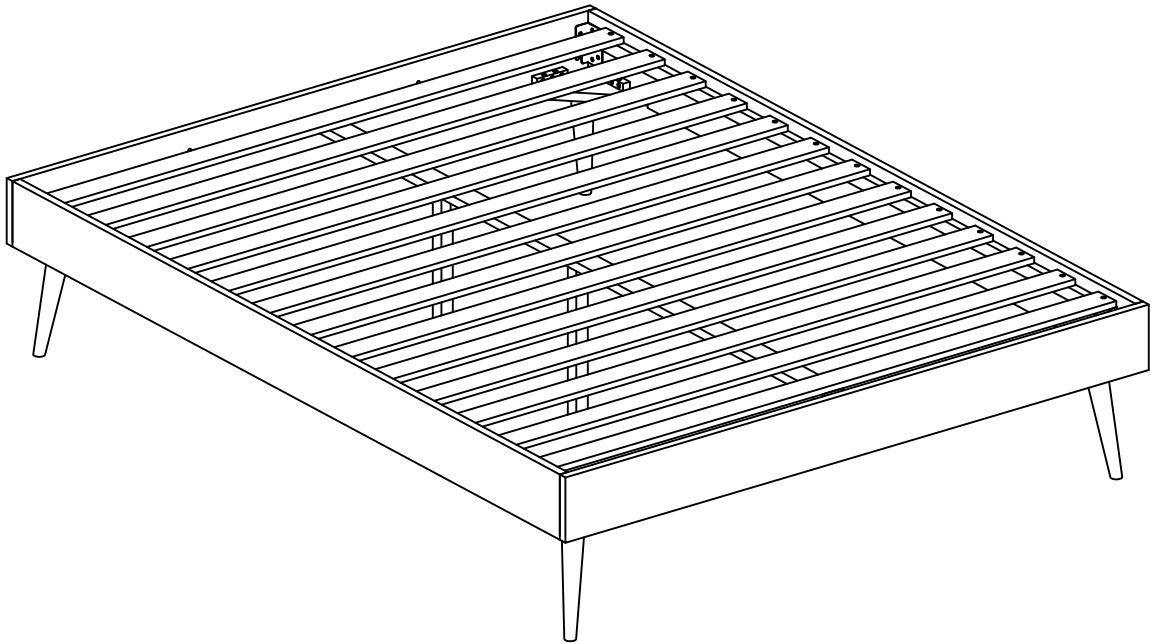
				
③ X 4 Pieces	⑥ X 4 Pieces	⑦ X 4 Pieces	④ X 1 Piece	⑤ X 2 Pieces

5.



	
① X 32 Pieces	④ X 1 Piece

6.



WARNING !

Do not drag or push the bed frame. To ensure safe moving, always use two people to lift and re-position the bed frame. Avoid dragging or pushing it across the floor to prevent damage to the legs, slats, and center support legs.