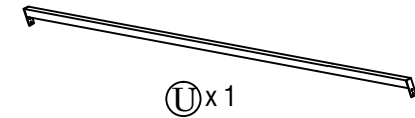
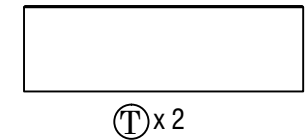
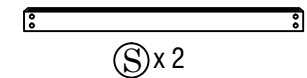
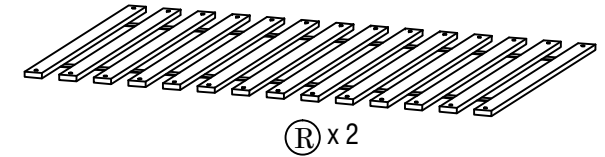
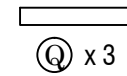
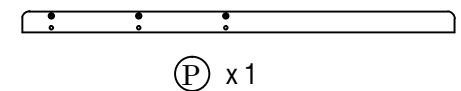
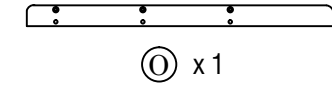
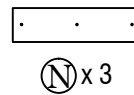
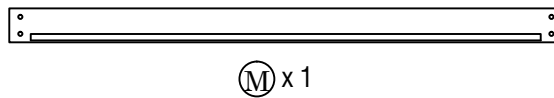
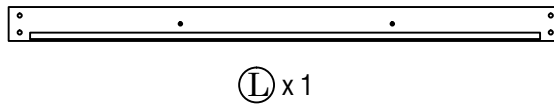
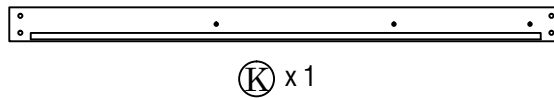
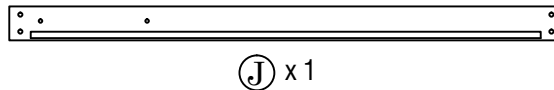
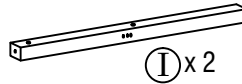
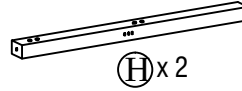
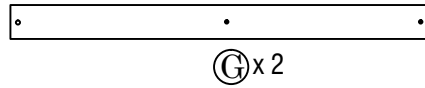
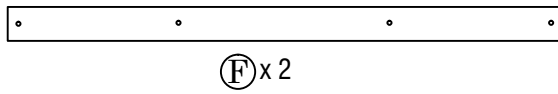
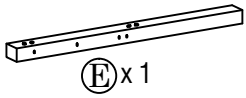
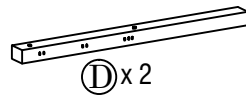
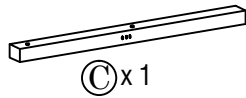
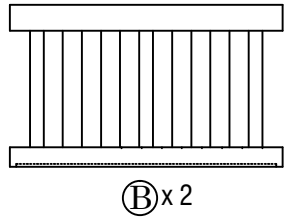
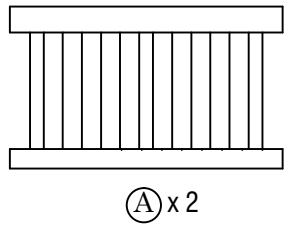


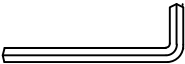



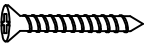




MYER BUNK BED/MYER KING SINGLE BUNK BED




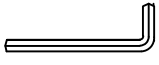
ASSEMBLY INSTRUCTION

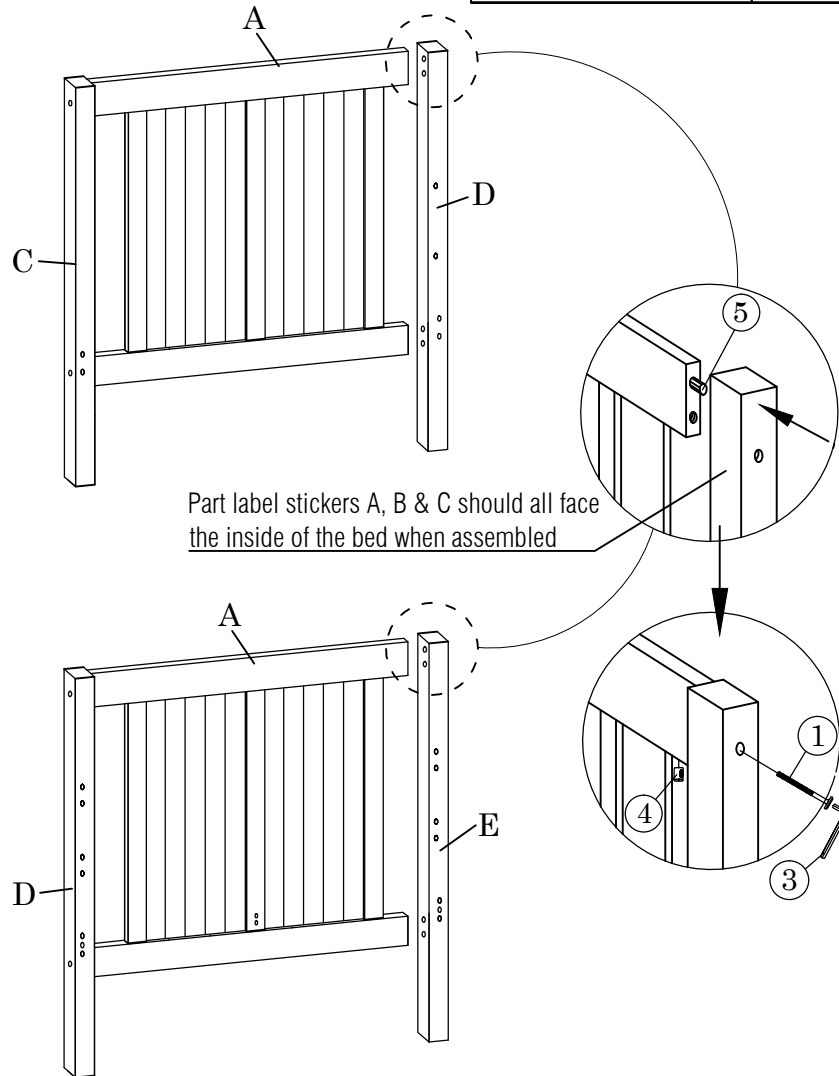


1.  x 38 M6 x 90mm	2.  x 9 M6 x 35mm	3.  x 1 ALLEN KEY	4.  x 38 M6 x 13mm	5.  x 44 M8 x 30mm	6.  x 4 M9.5 x 105mm
7.  x 56 M4 x 32mm	8.  x 12 M6 x 50mm	9.  x 4 M6 x 16mm			




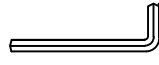
ASSEMBLY INSTRUCTION

1

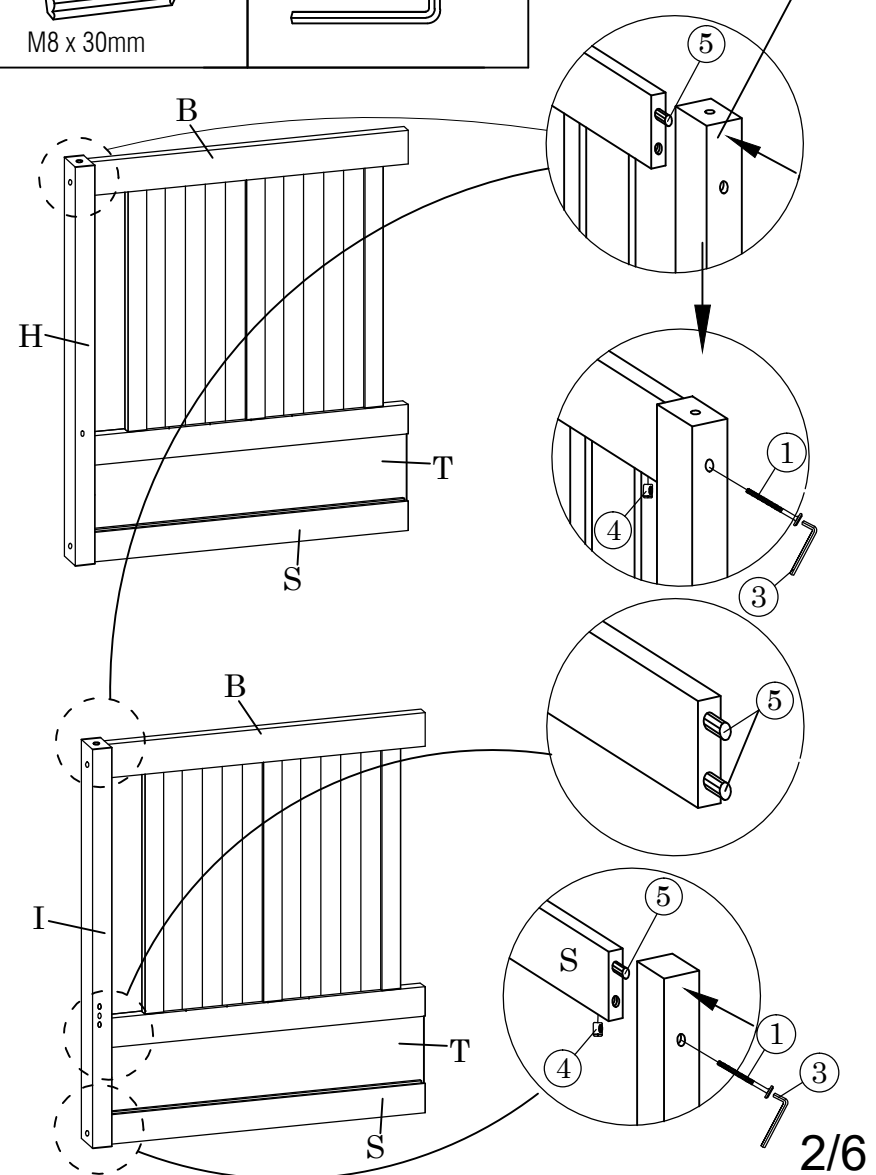
1.  x 8 M6 x 90mm	4.  x 8 M6 x 13mm
5.  x 8 M8 x 30mm	3.  x 1



2



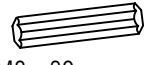
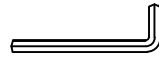
1.  x 4 M6 x 90mm	4.  x 4 M6 x 13mm
5.  x 8 M8 x 30mm	3.  x 1

Part label stickers A, B & C should all face the inside of the bed when assembled

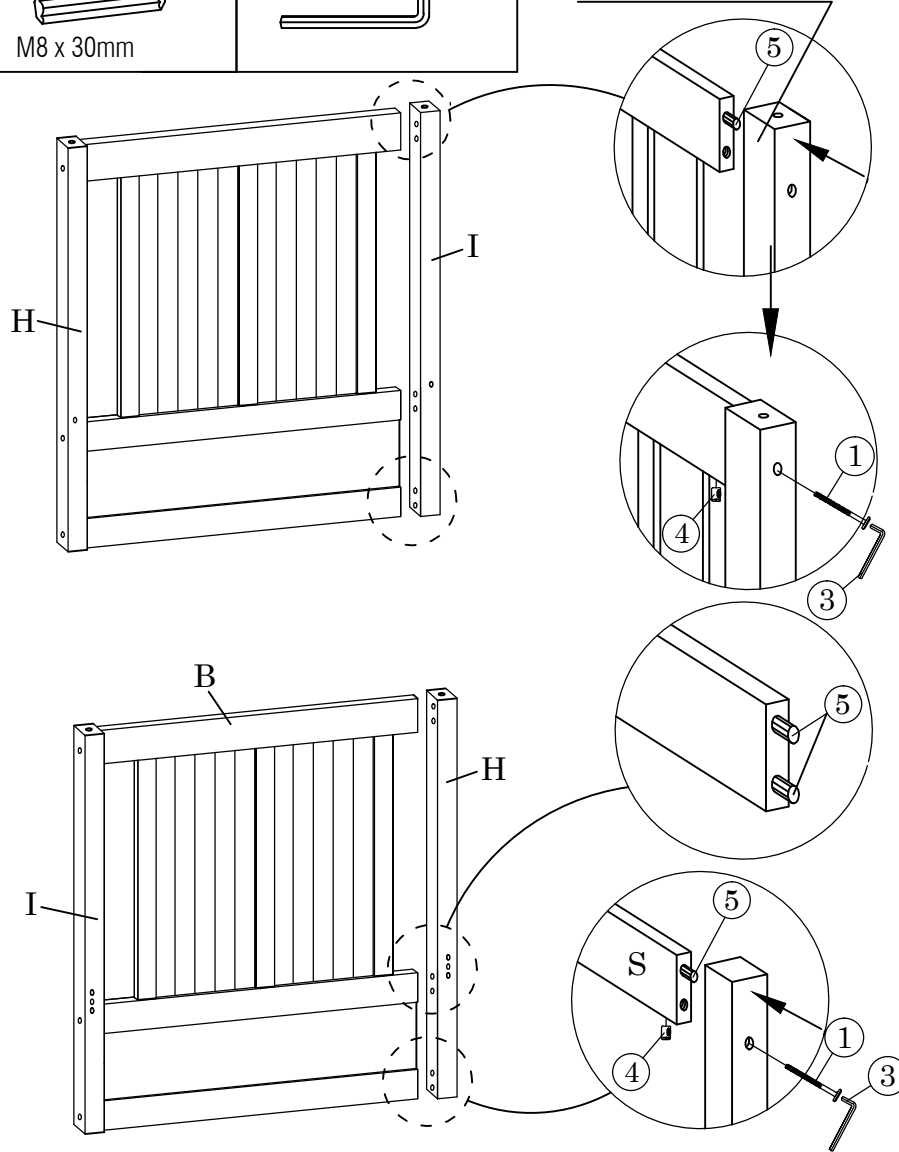


ASSEMBLY INSTRUCTION




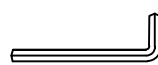
3

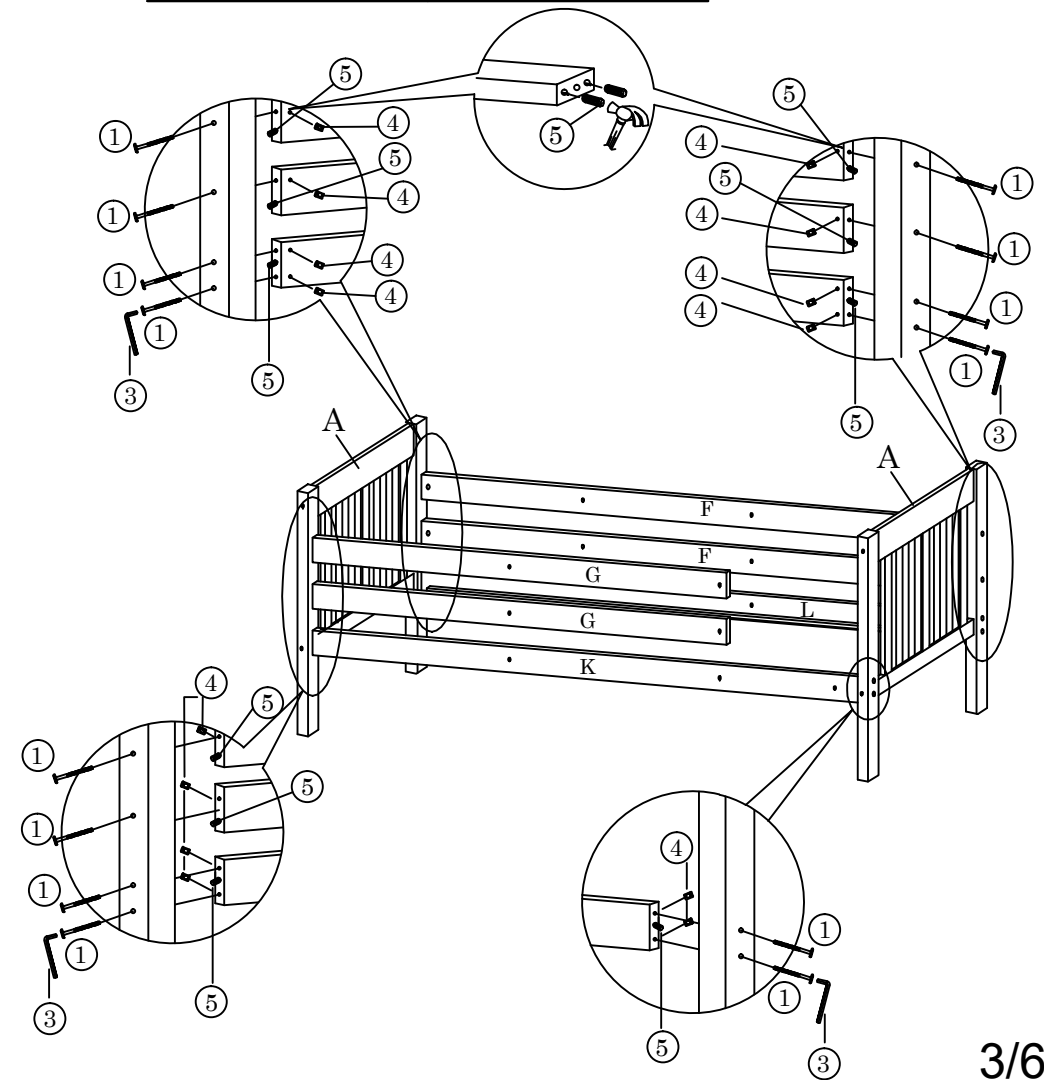
- | | |
|---|---|
| 1.  x 4
M6 x 90mm | 4.  x 4
M6 x 13mm |
| 5.  x 8
M8 x 30mm | 3.  x 1 |

Part label stickers A, B & C should all face the inside of the bed when assembled

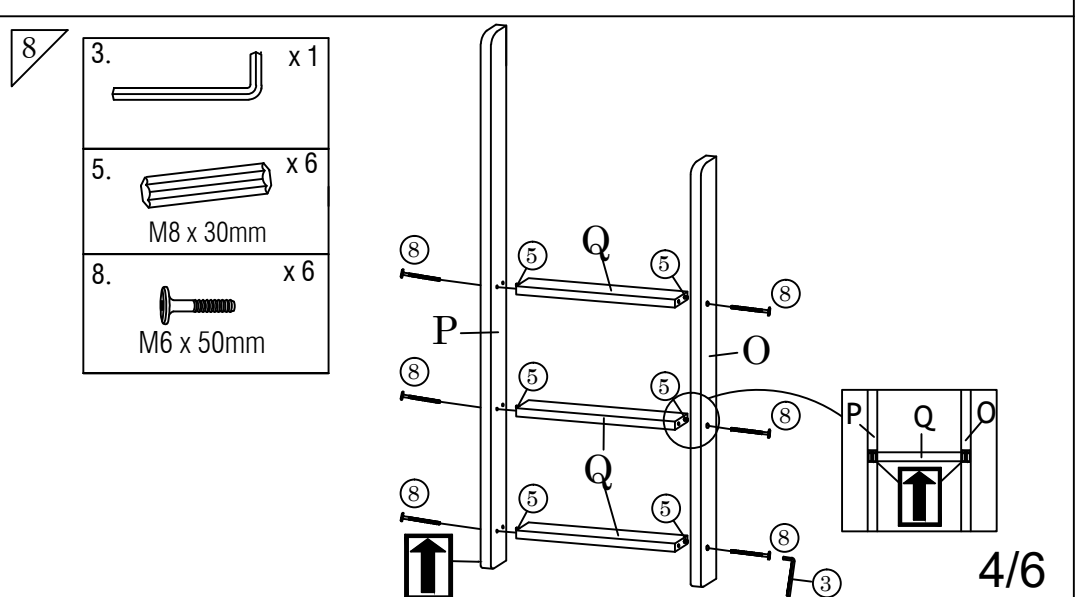
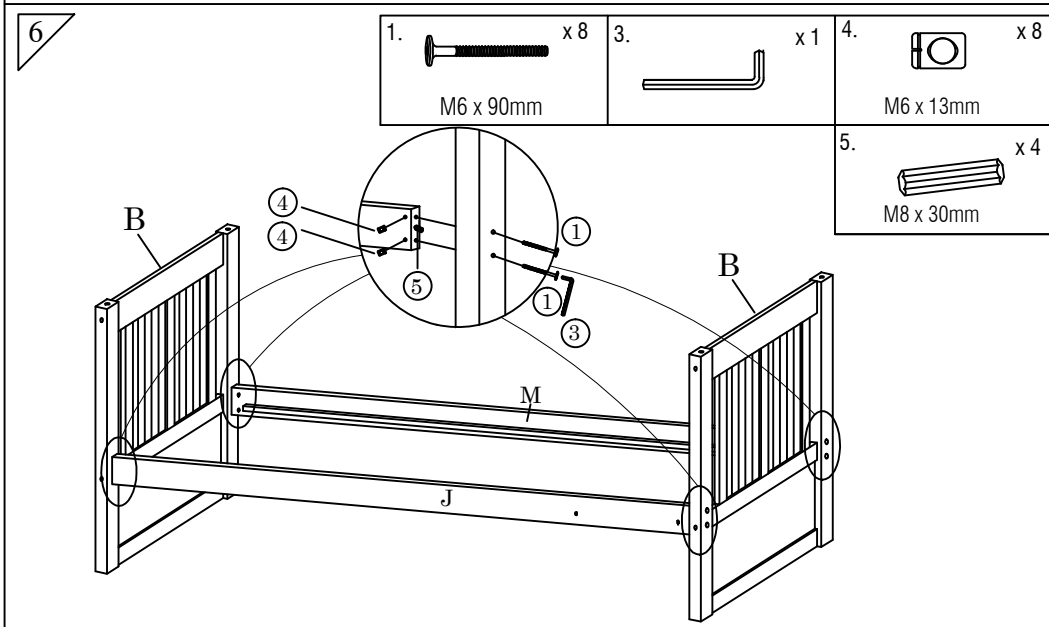
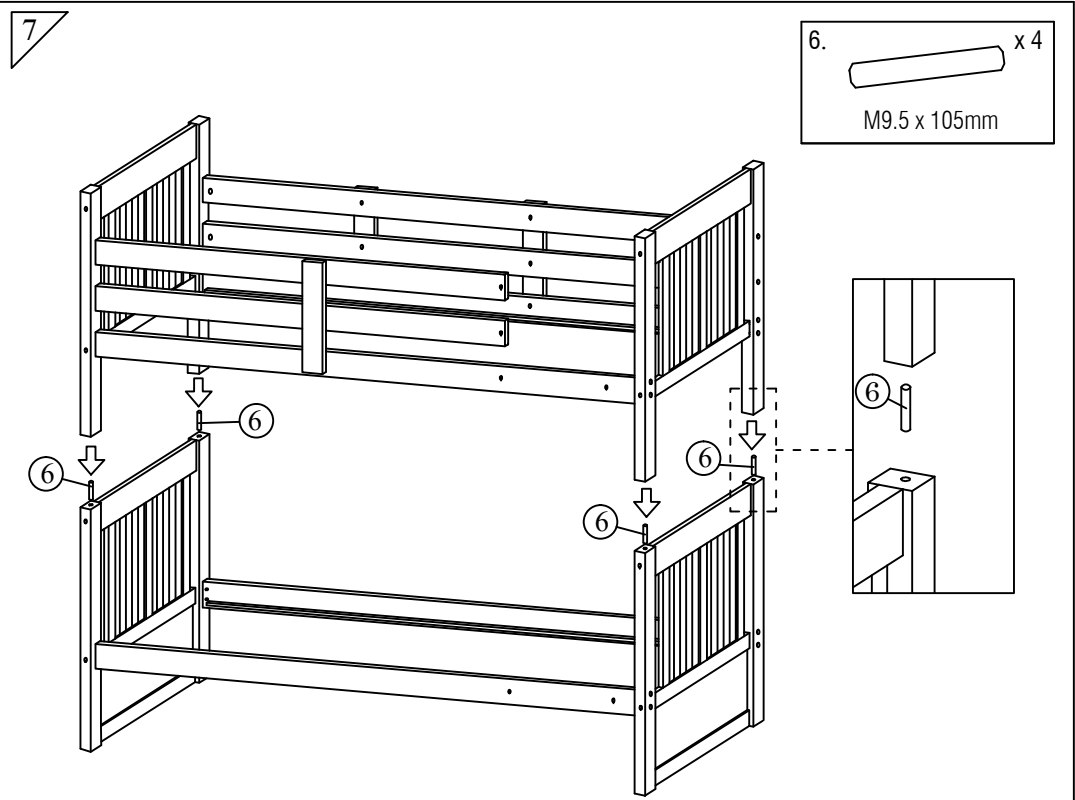
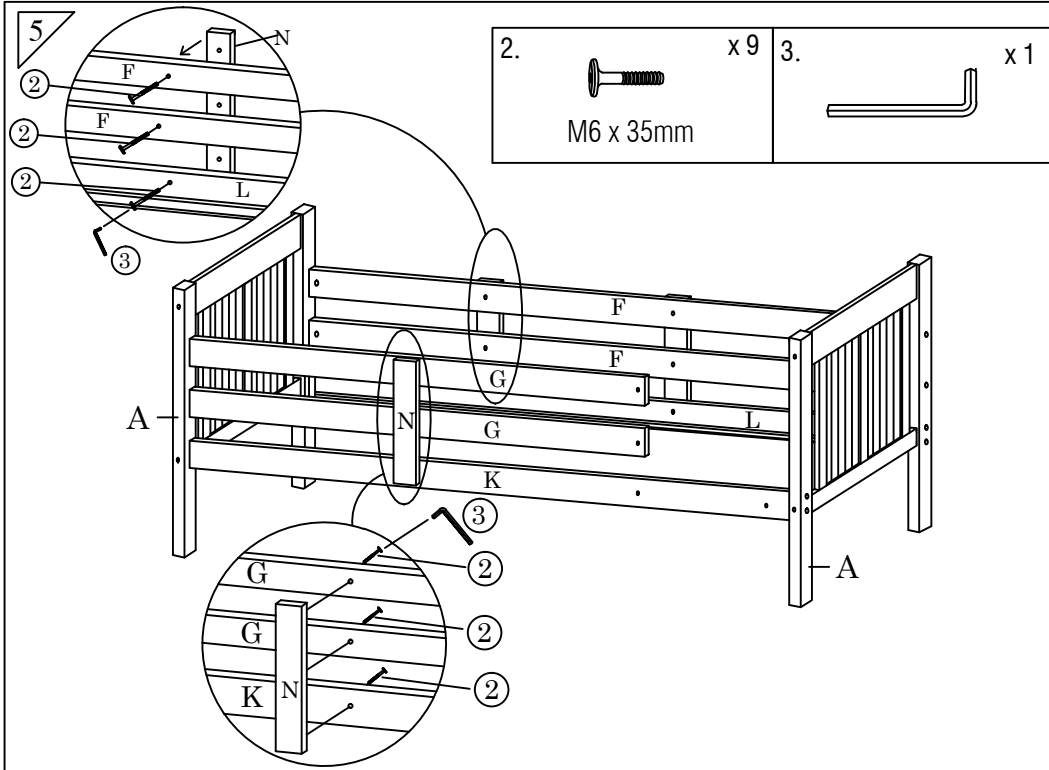


4

- | | |
|--|--|
| 1.  x 14
M6 x 90mm | 4.  x 14
M6 x 13mm |
| 5.  x 10
M8 x 30mm | 3.  x 1 |

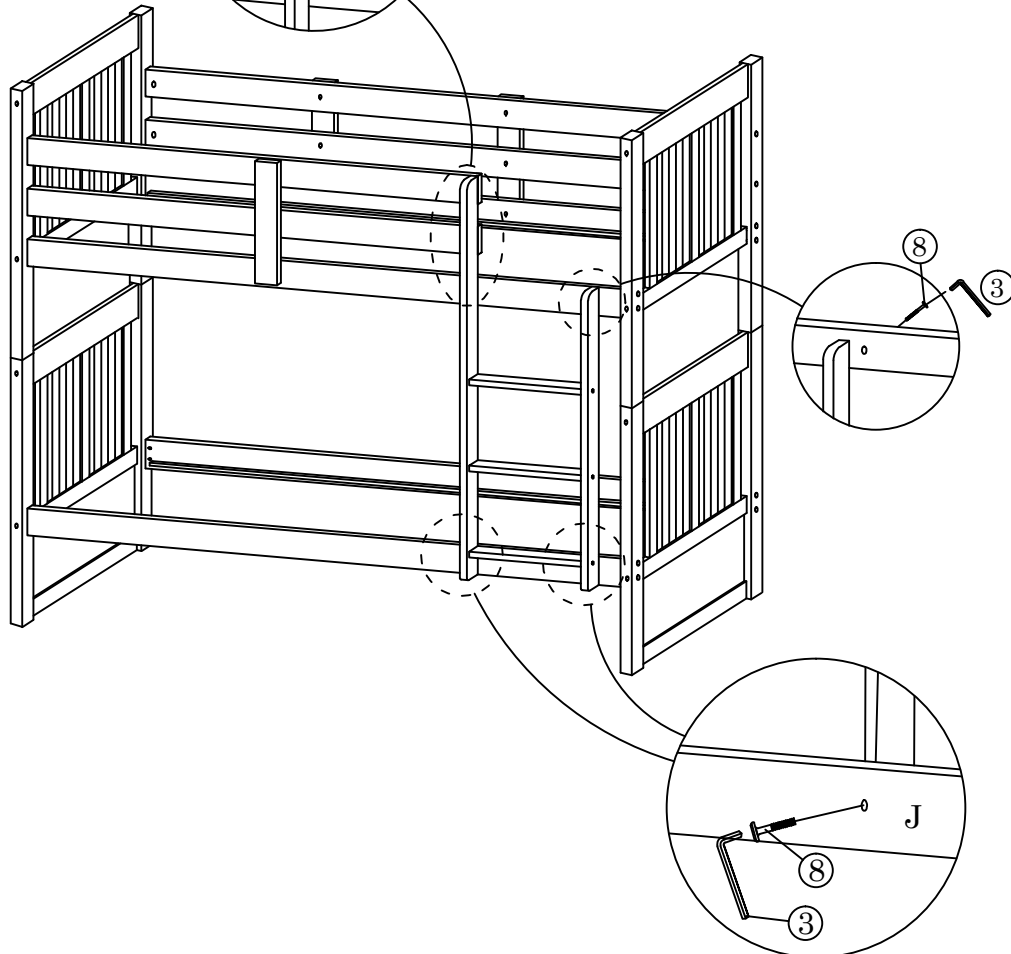
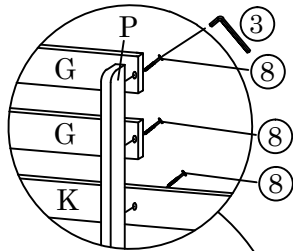
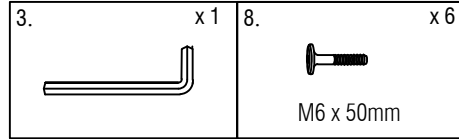


ASSEMBLY INSTRUCTION

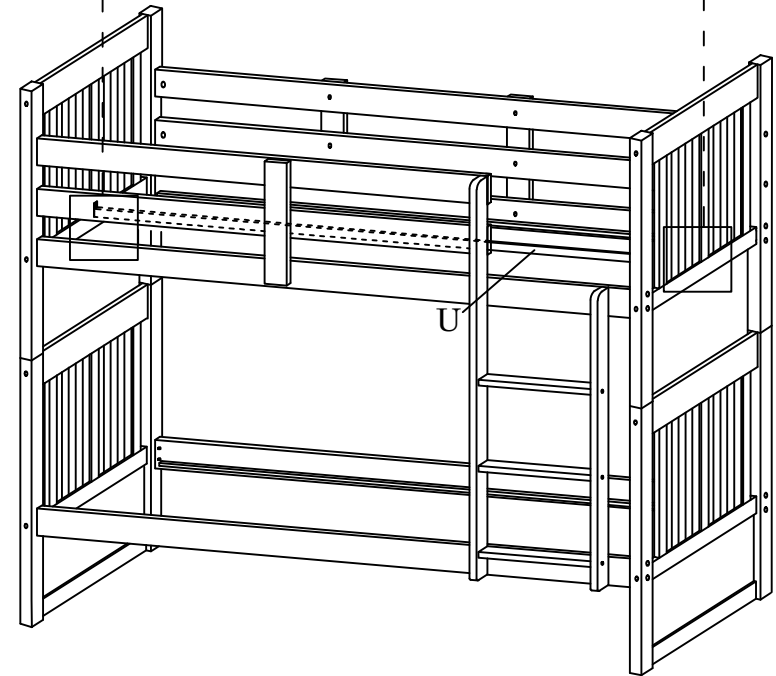
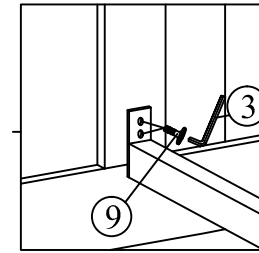
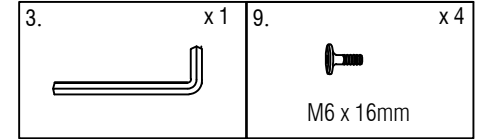


ASSEMBLY INSTRUCTION

9



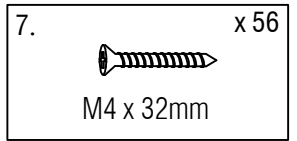
10



ASSEMBLY INSTRUCTION

11

"You must screw in each and every Slat with screws provided - please note that failure to do so will affect the structural integrity of the bed"



12

