

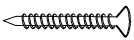
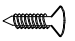






# B2C FURNITURE

## MODERN HARDWOOD FURNITURE

### MYER 2 DRAWS BEDSIDE TABLE ASSEMBLY INSTRUCTIONS

PARTS LIST		
No.	HARDWARE	Qty.
A	Dowel ( 8 X 30 ) 	24
B	Dowel ( 6 X 30 ) 	16
C	Screw ( 4 X 30 ) 	18
D	Screw ( 3.5 X 16 ) 	12
E	Pan Head ( 3.5 X 16 ) 	16
F	L - Bracket 	6

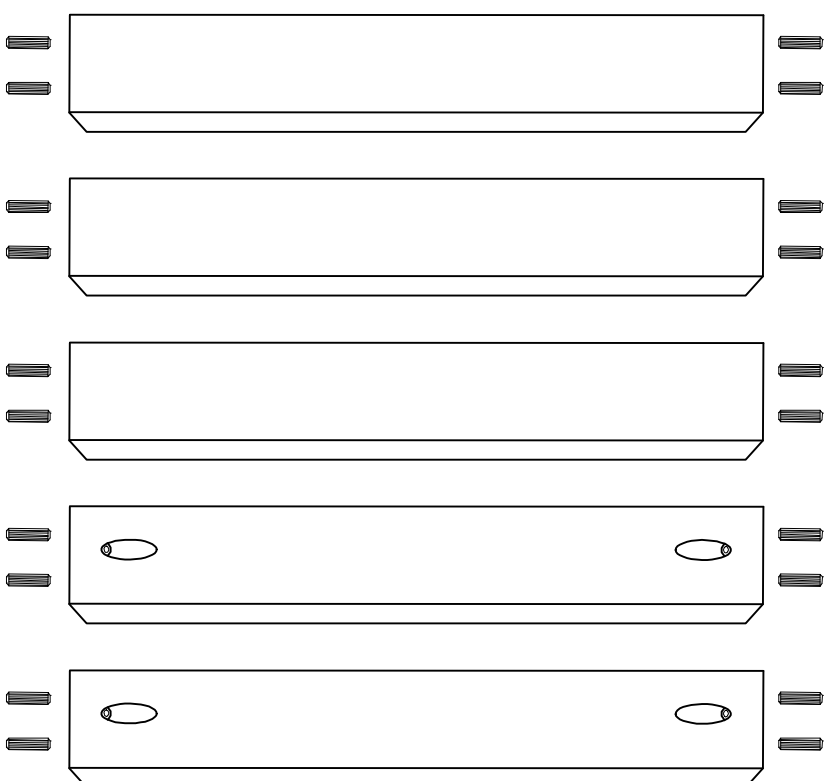
PARTS LIST		
No.	PART LIST FOR FRAME	Qty.
1	Left side panel	1
2	Right side panel	1
3	Back panel	1
4	Front upper support bar w/ 2holes	1
5	Support bar without holes	3
6	Front bottom support bar w/ 2 holes	1
7	Top panel	1
No.	PART LIST DRAWERS	Qty.
8	Back Panel	2
9	Front Panel	2
10	Left Panel	2
11	Right Panel	2
12	Bottom Board	2

#### Assembly Tips:

Remove hardware from box and sort by the size parts and hardware for frame and drawers to check that all hardware and parts are present before assembling. Follow instructions below in proper sequence to ensure fast, easy and correct assembly.

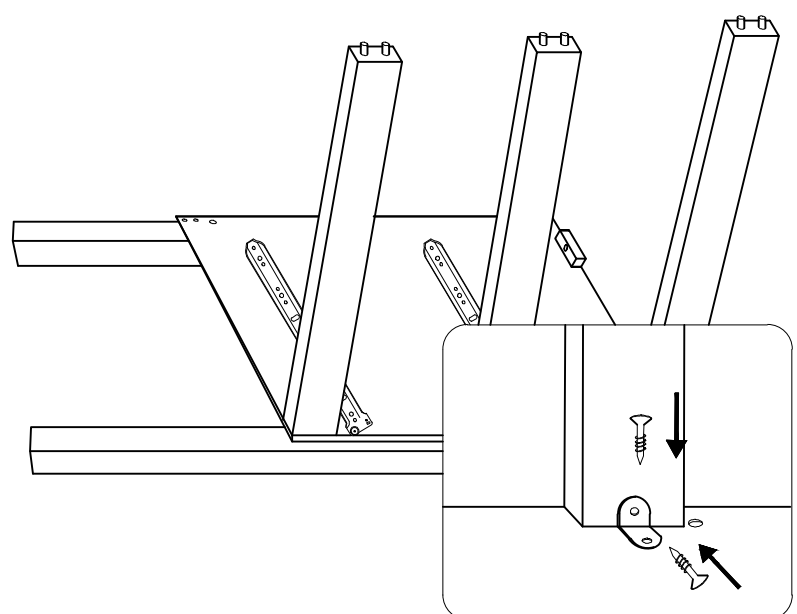
### STEP 1

Insert dowells into parts 4,5 + 6



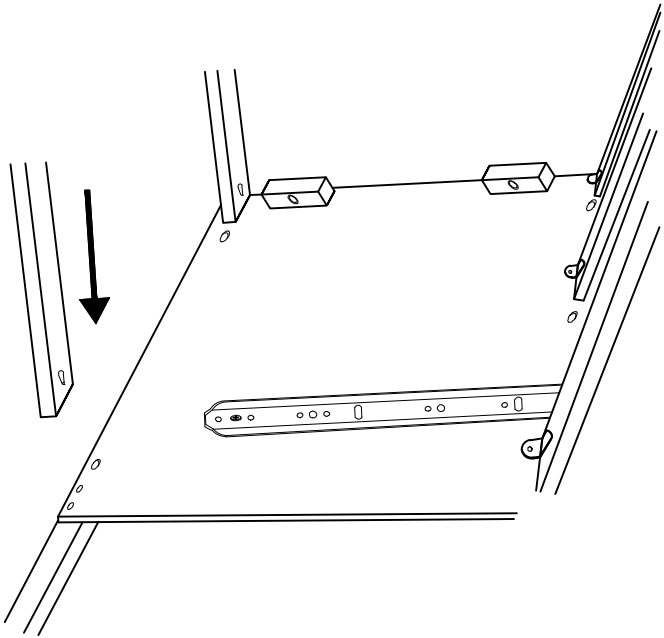
### STEP 2

Fix the three part 5 in to frame member part 1 using screw D ( 3.5 x 16 ) and L - Brackets



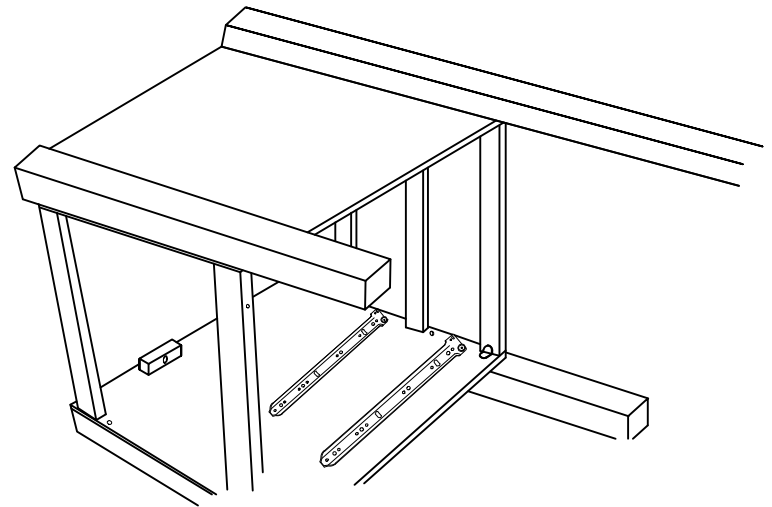
### STEP 3

Fix part 6 and part 4 using Screw C ( 4 x30 )



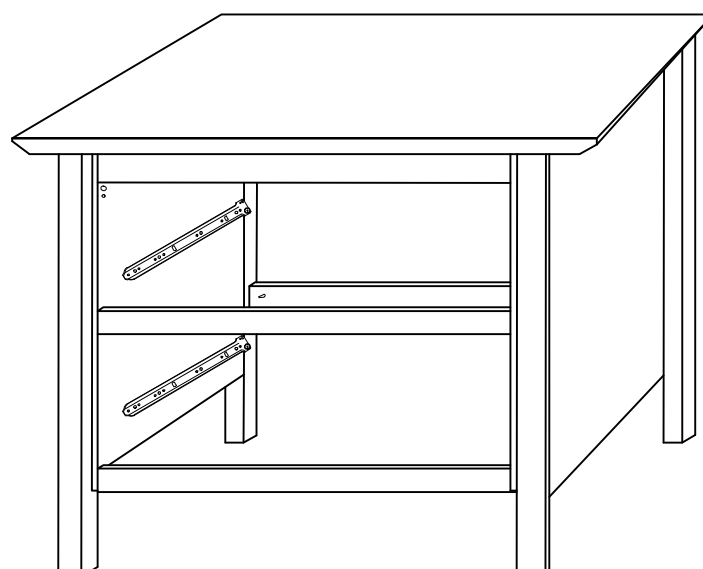
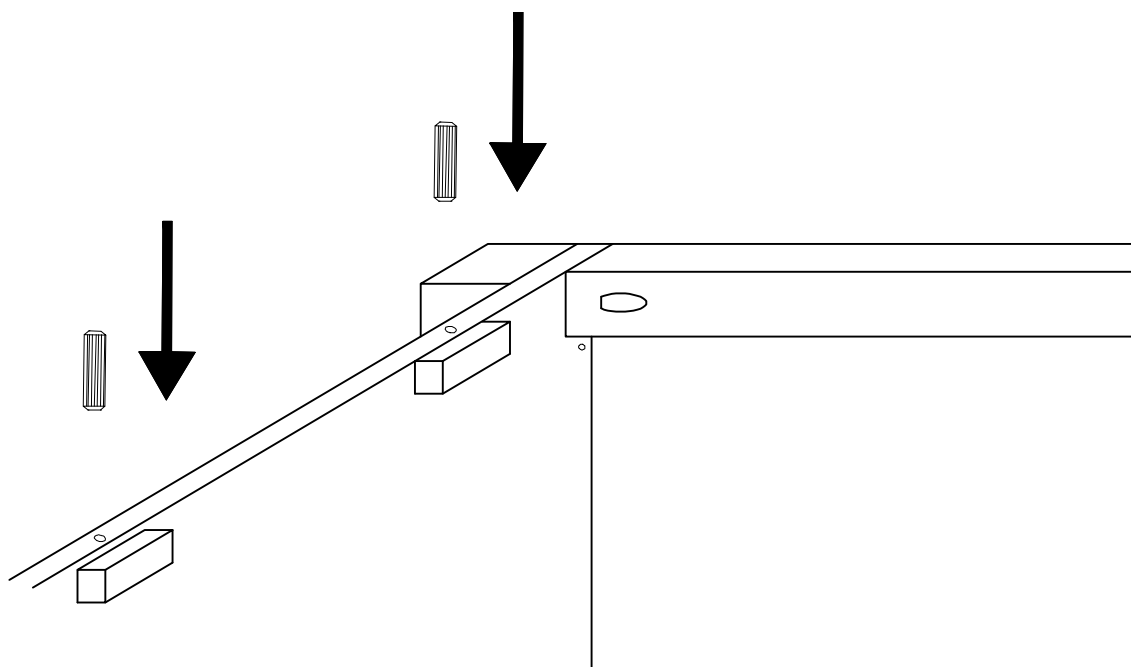
### STEP 4

Attach frame member Part 2 repeating steps 5, 6 & 7



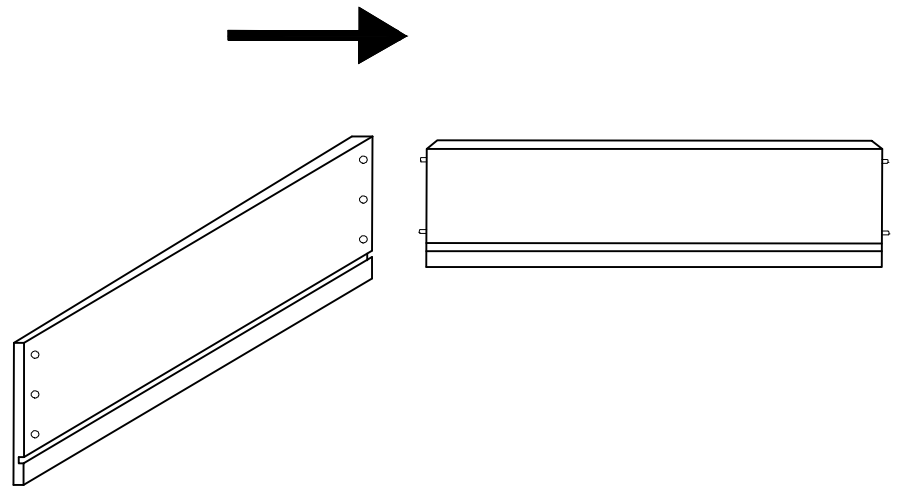
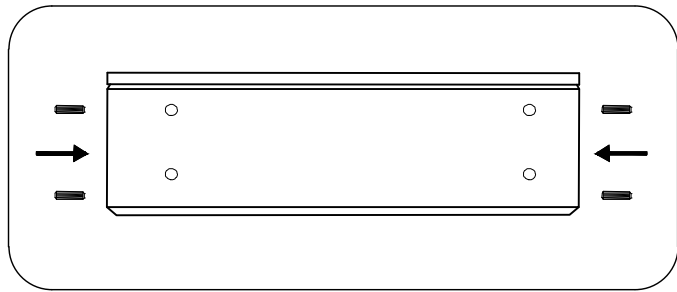
### STEP 5

Attach the top piece Part 7 using dowels ( 6 x 30 ) to draw cabinet fixing with screw c ( 4 x 30 )



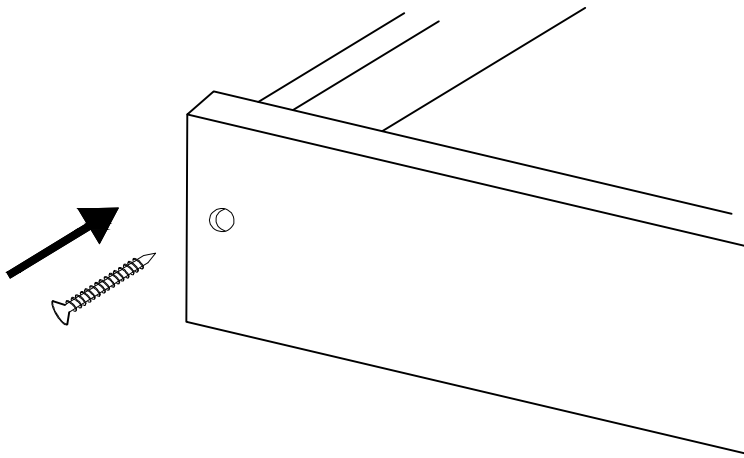
### STEP 6

Insert dowells Part B into rear draw panel Part 8 and Front Face panel Part 9



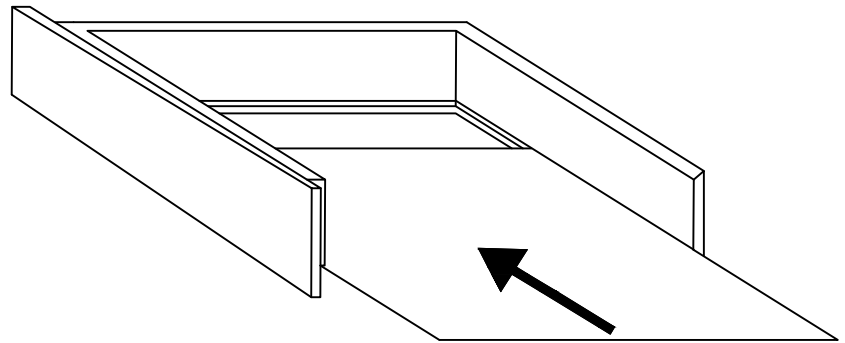
### STEP 7

Fix into left panel Part 10 and Screw using Part C ( 4 x 30 ) Screws



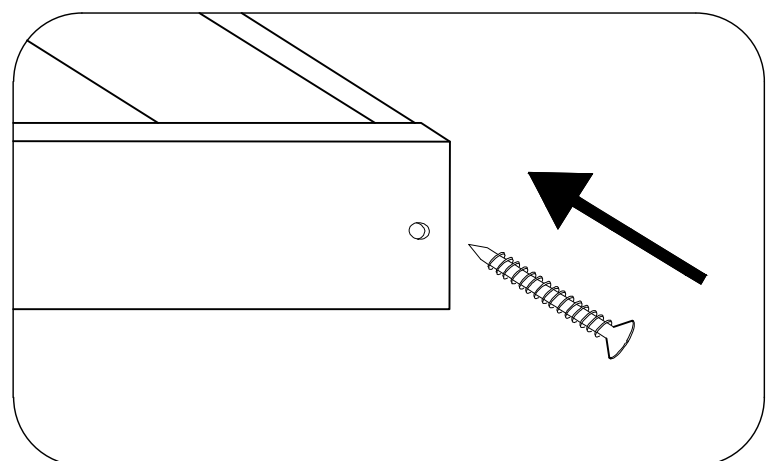
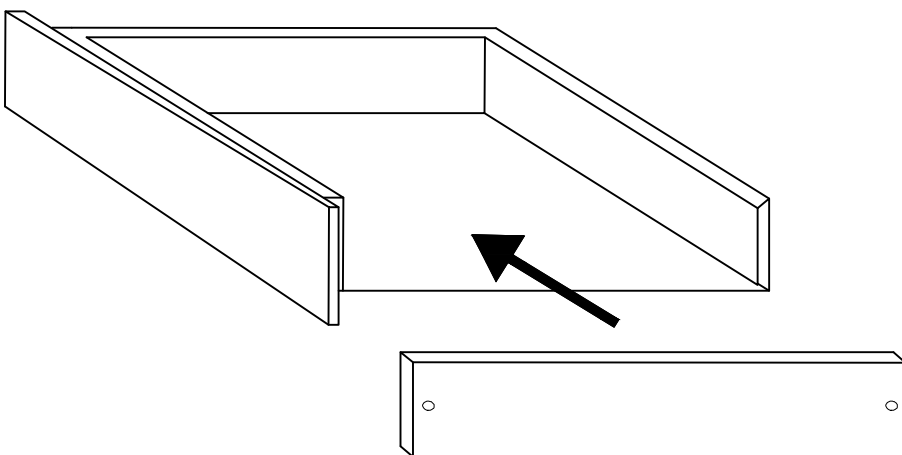
### STEP 8

Slide bottom board Part 12 into slots on Rear Part 8 and Front Panel Part 9



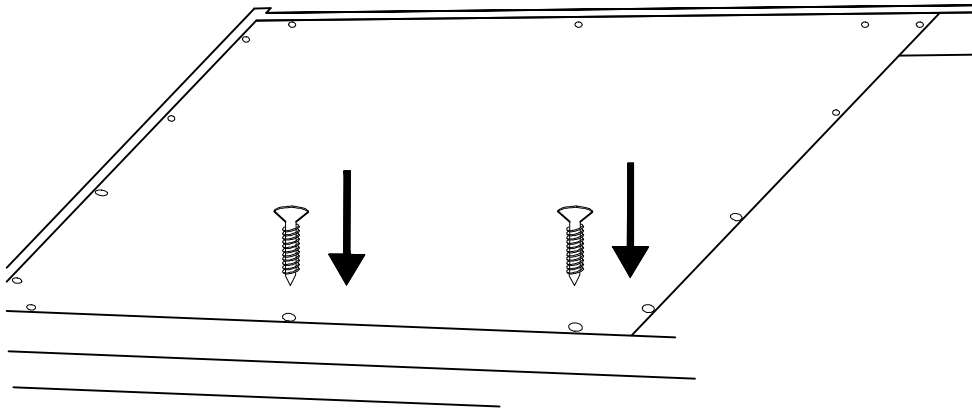
### STEP 9

Attach right panel part 11 using Part C Screws ( 4 x 30 )



## STEP 10

Attach Back Panel to Cabinet Using Pin Head ( 3.5 x 16 )



## STEP 11

Insert Draws into Cabinet reconnecting drawrunners

