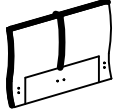

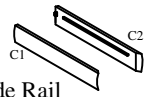

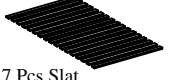

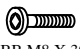

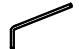





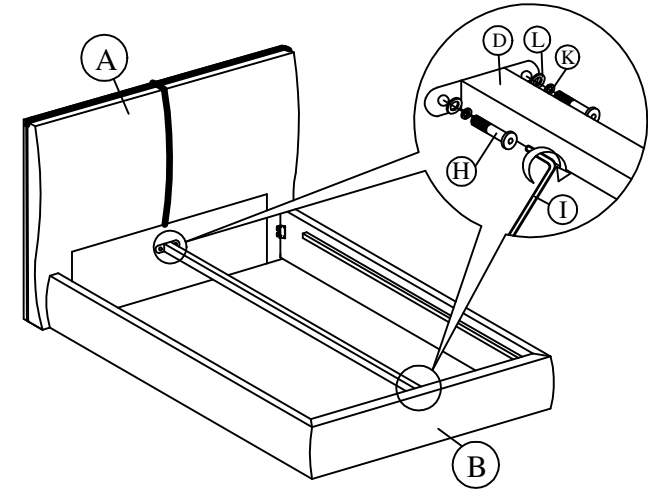
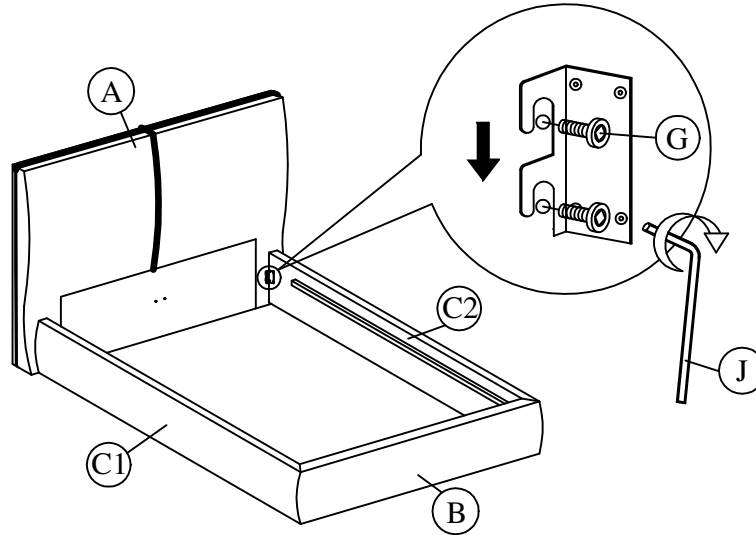
ASSEMBLY INSTRUCTION

MODEL : LODES

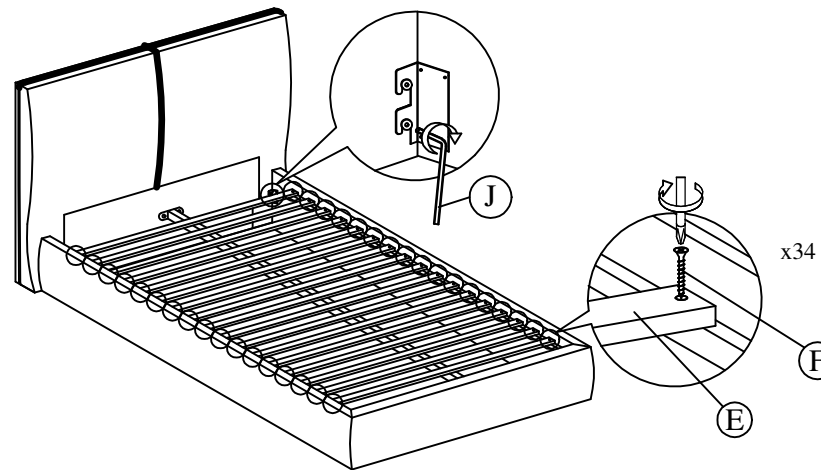
Step 1 : Attach side rail (C) to footboard (B) first follow by headboard (A) by pushing the bracket down to fit it.

Step 2 : Attach center rail (D) using jcbc screws (H), spring washer (K) and flat washer (L) to the headboard (A) and footboard (B).

A		1 pc
B		1 pc
C		2 pcs
D		1 pc
E		1 set
F		34 pcs
G		8 pcs
H		4 pcs
I		1 pc
J		1 pc
K		4 pcs
L		4 pcs



Step 3 : Affix the Slat (E) to the side rail support wood. Tighten all the 4 corner.



Please follow all AI instructions to ensure the bed is assembled correctly