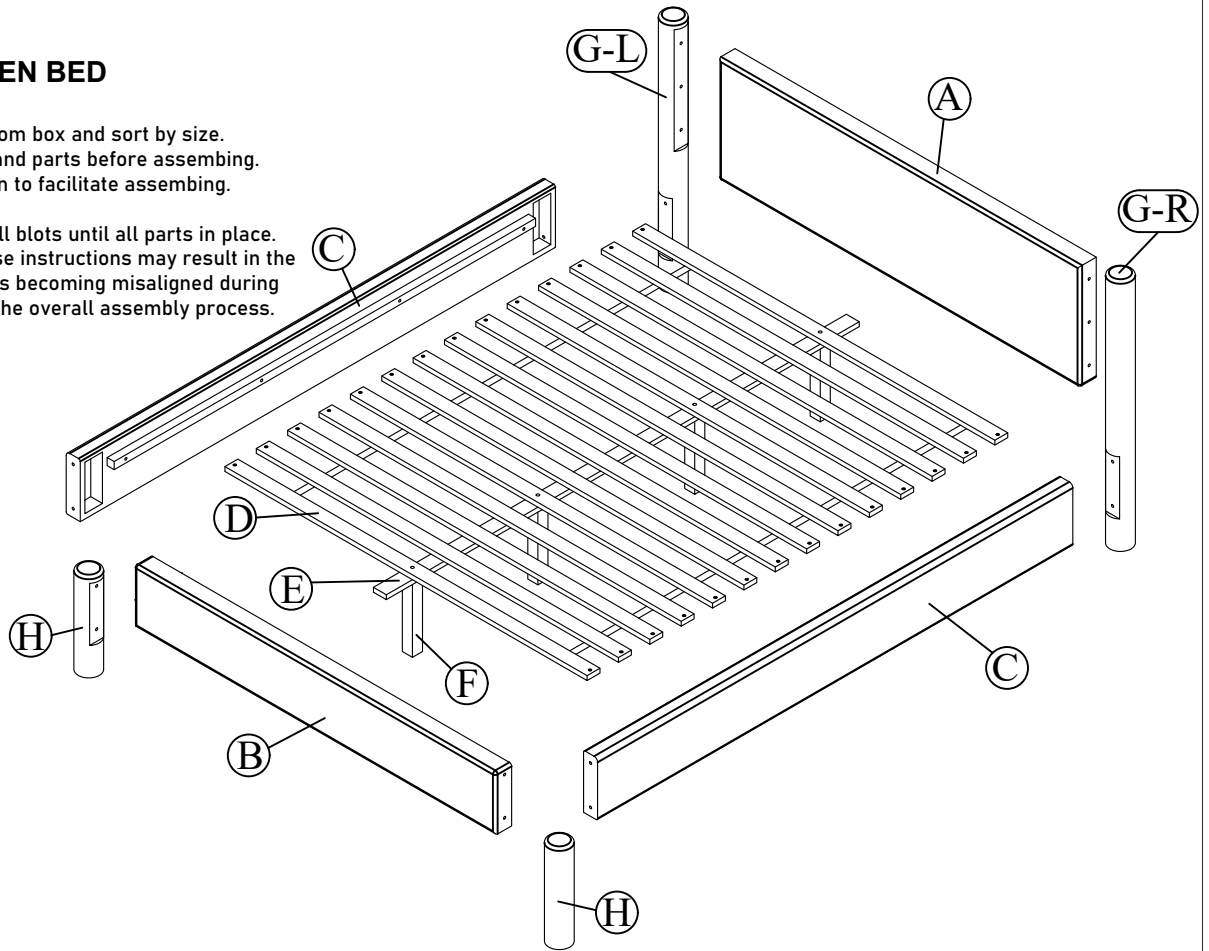



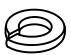



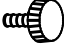
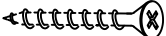


ASSEMBLY INSTRUCTIONS





#LOMAS QUEEN BED

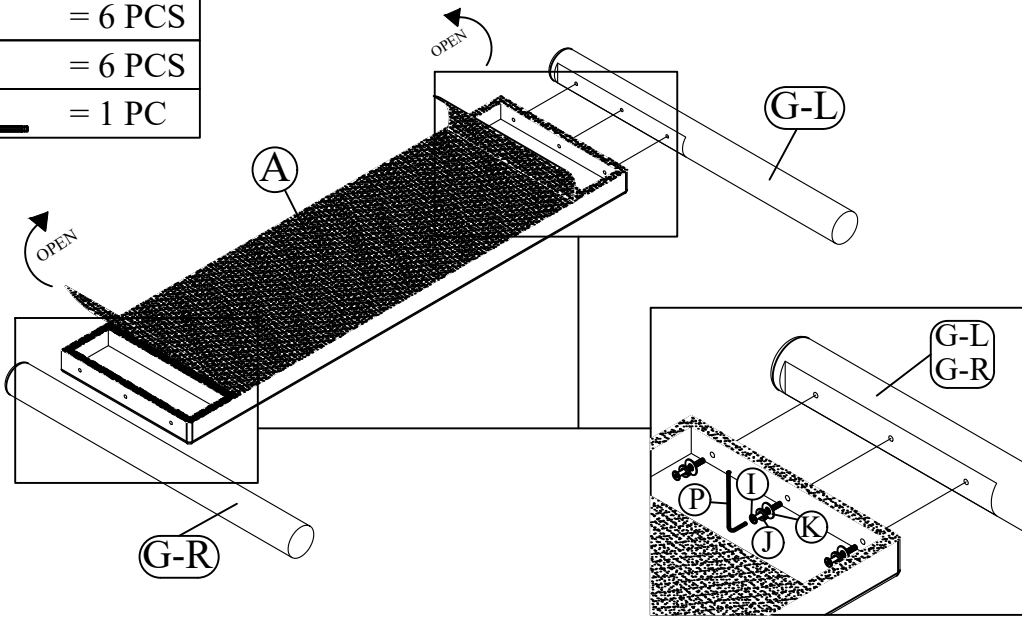
Remove hardware from box and sort by size.
Check all hardware and parts before assembling.
Follow the instruction to facilitate assembling.

Do not fully tighten all bolts until all parts in place.
Failure to follow these instructions may result in the possibility of the bolts becoming misaligned during assembly hindering the overall assembly process.







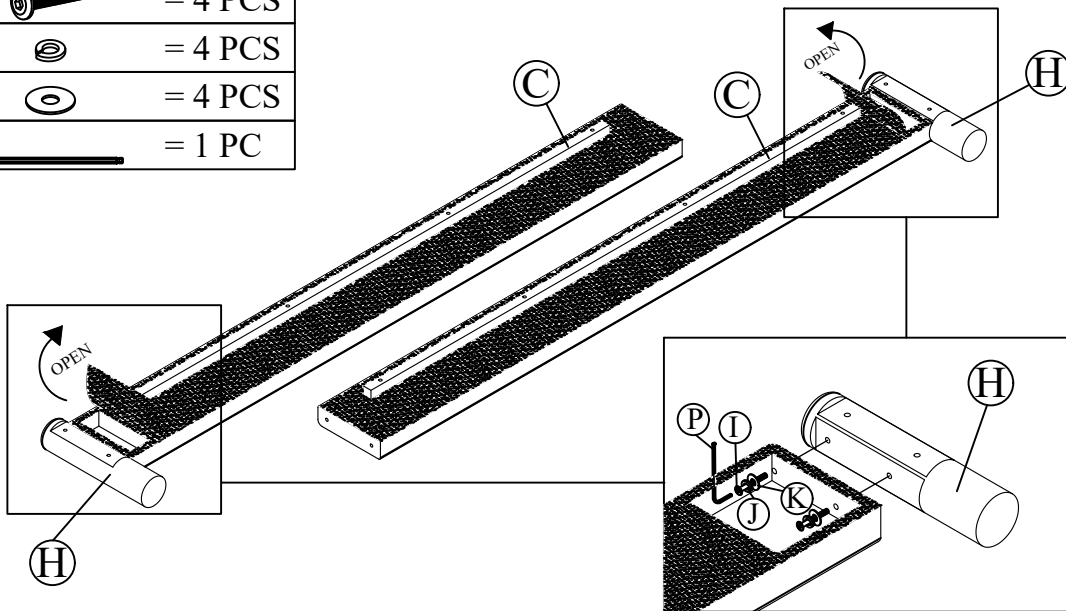
	ITEM	QTY		HARDWARE	QTY
A	HEADBOARD	1	I	 JCBC M6 X 30MM	18
B	FOOTBOARD	1	J	 SPRING WASHER M6	18
C	SIDERAIL (L & R)	2	K	 FLAT WASHER M6	18
D	SLAT	1 SET	L	 JCBB M8 X 75MM	4
E	CENTER RAIL	1	M	 BARREL NUT M8 X 20MM	4
F	CENTER LEG	4	N	 ADJUSTER M6 X 29MM	4
G-L G-R	HEADBOARD LEG	2	O	 CSK M4 X 32MM	28
H	FOOTBOARD LEG	2	P	 ALLEN KEY WITH BALL M4 X 100MM	1
			Q	 ALLEN KEY M5 X 70MM	1

I		= 6 PCS
J		= 6 PCS
K		= 6 PCS
P		= 1 PC







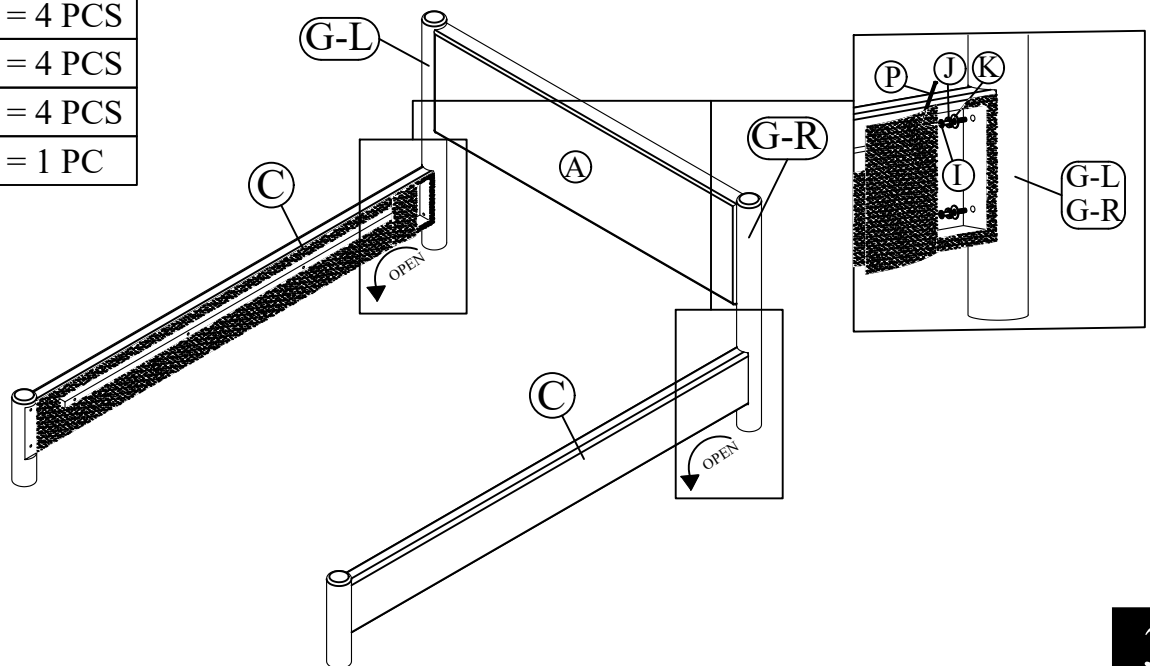
1

I		= 4 PCS
J		= 4 PCS
K		= 4 PCS
P		= 1 PC







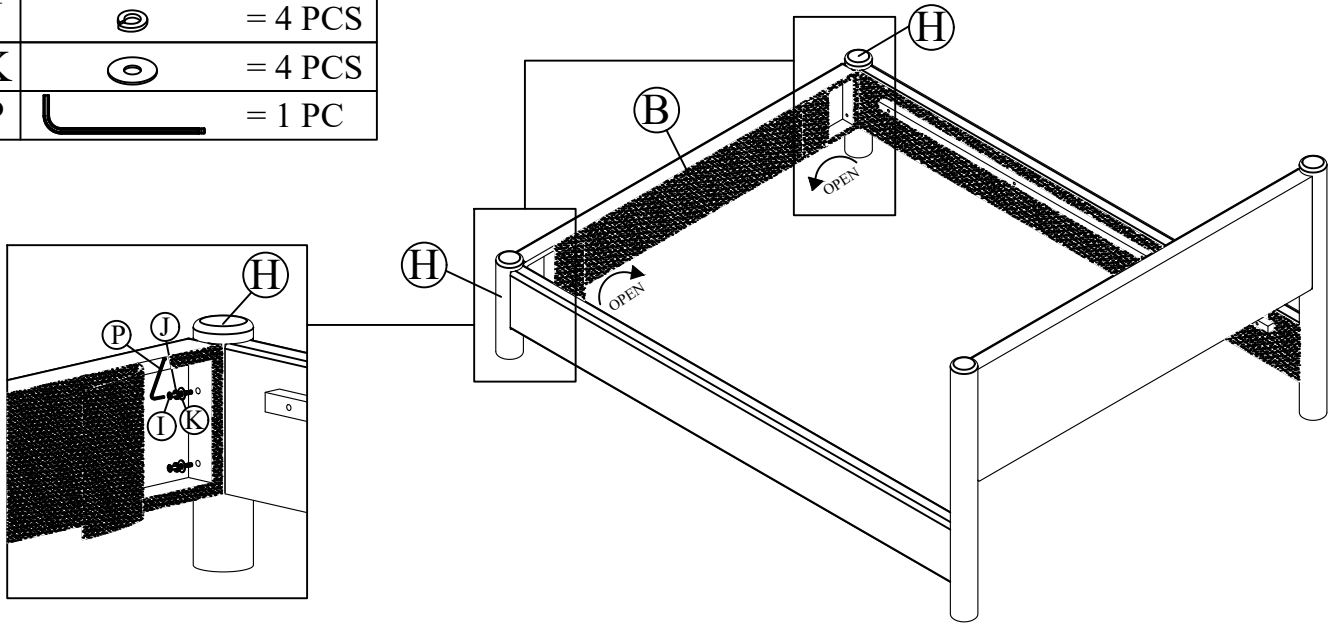
2

I		= 4 PCS
J		= 4 PCS
K		= 4 PCS
P		= 1 PC

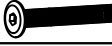





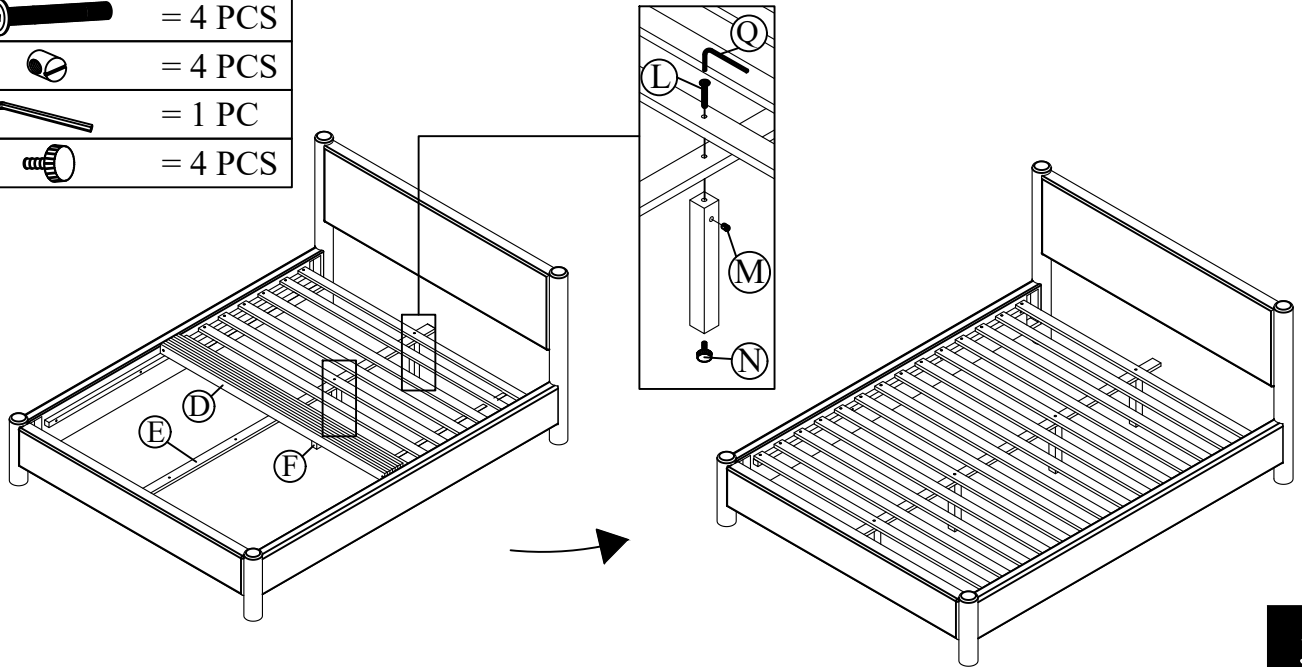
3

I		= 4 PCS
J		= 4 PCS
K		= 4 PCS
P		= 1 PC



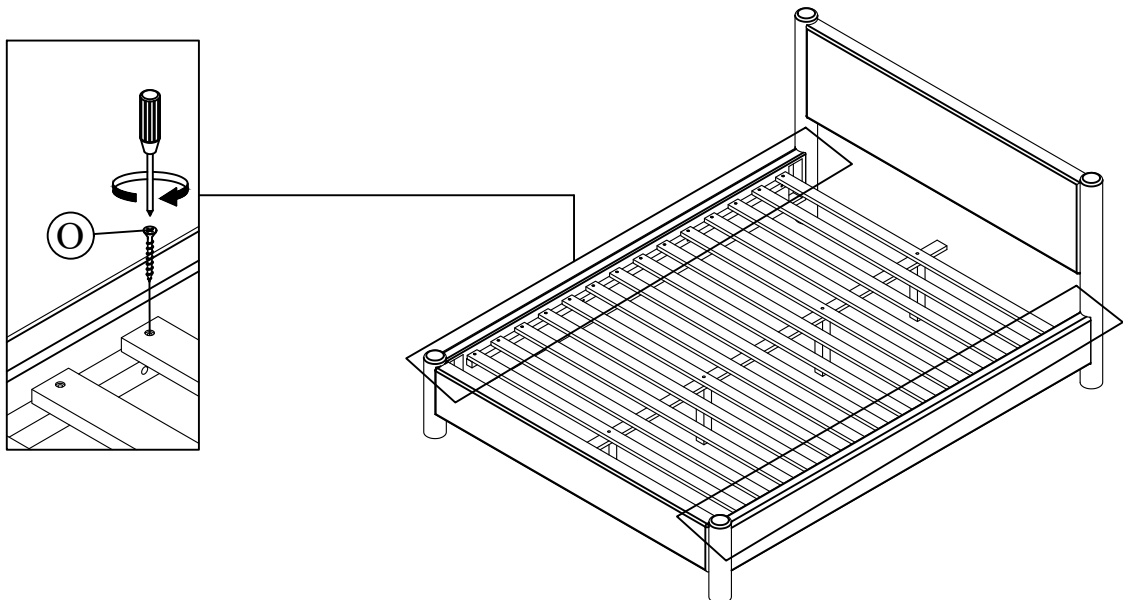
4

L		= 4 PCS
M		= 4 PCS
Q		= 1 PC
N		= 4 PCS



5

O		= 28 PCS
---	---	----------



6

* Please follow all AI instructions to ensure the bed is assembled correctly