



B2C FURNITURE

MODERN HARDWOOD FURNITURE

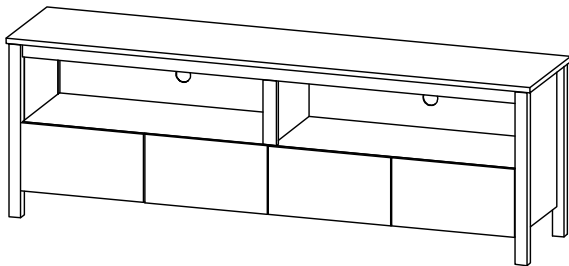
COCO ENTERTAINMENT UNIT ASSEMBLY INSTRUCTIONS

HARDWARE LIST

NO	HARDWARE		QTY
A	JCBC M6 X 30MM		6
B	MINIFIX		8 SETS
C	SPRING WASHER M6		6
D	FLAT WASHER M6		6
E	CSK M4 X 30MM		12
F	CSK M3.5 X 16MM		25
G	DOWEL M8 X 30MM		16
H	ALLEN KEY BALL SHAPE M4		1

PART LIST

NO	PART LIST	QTY
1	TOP PANEL	1
2	DRAWER ASSEMBLY	1
3	FRONT SUPPORT WOOD	1
4	BACK SUPPORT WOOD	1
5	BACK PANEL	1
6	MIDDLE WOOD	1
7	MIDDLE PANEL	1
8	SIDE PANEL LEFT	1
8	SIDE PANEL RIGHT	1



Assembly Tips:

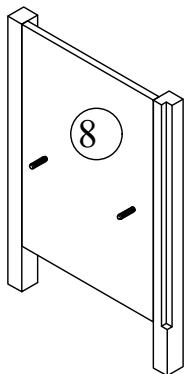
Remove hardware from box and sort by the size parts and hardware for frame and drawers to check that all hardware and parts are present before assembling. Follow instructions below in proper sequence to ensure fast, easy and correct assembly.

Recommended for assembly:

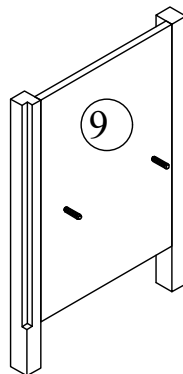


STEP 1

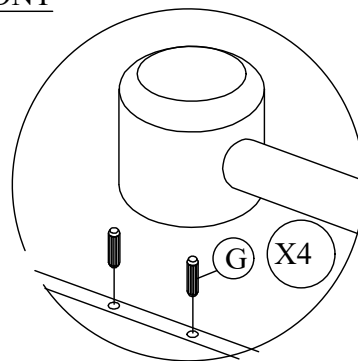
FRONT



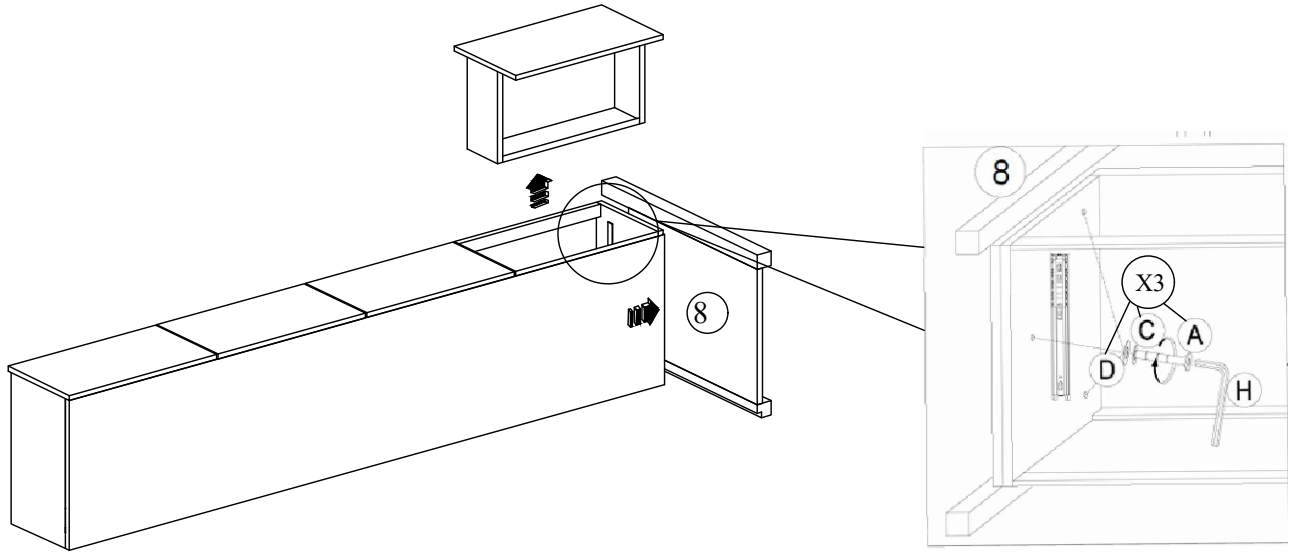
BACK



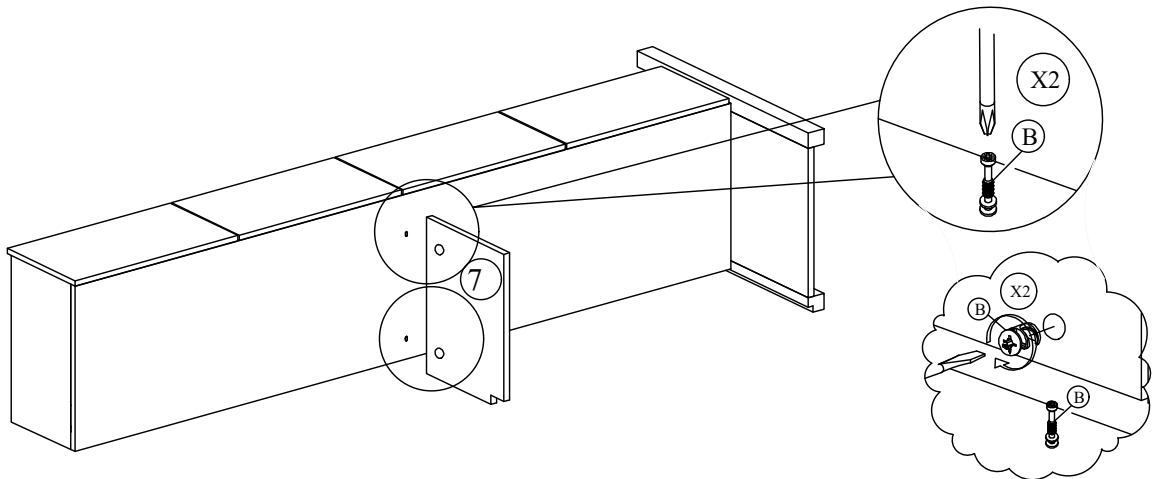
FRONT



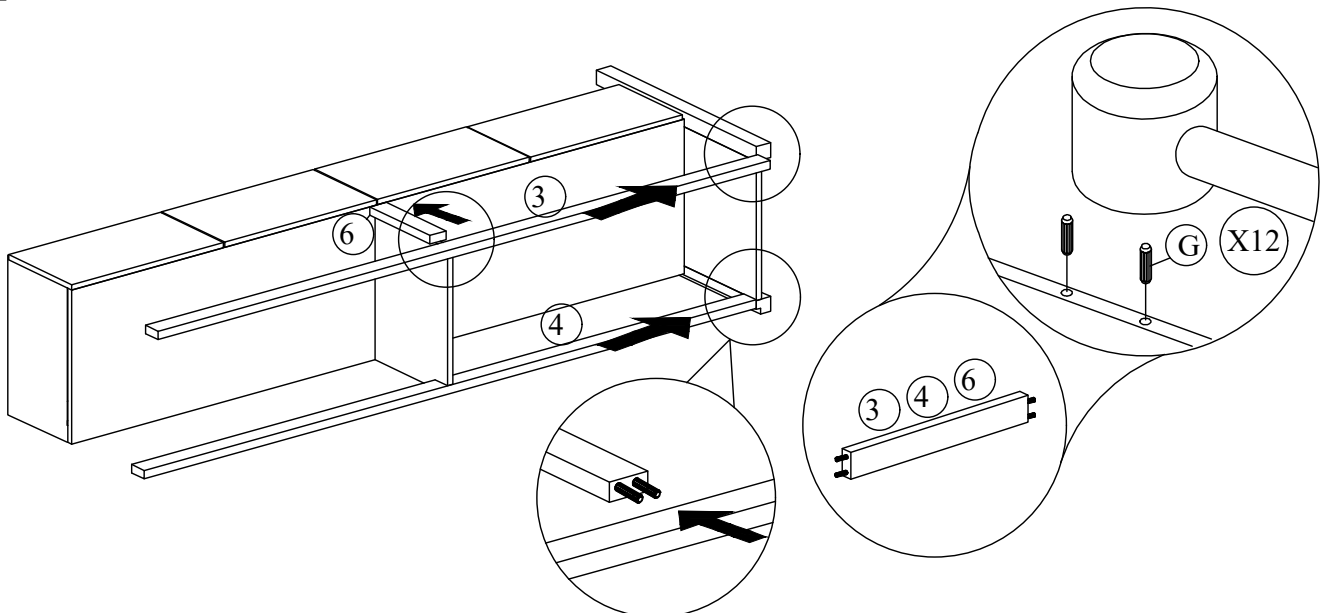
STEP 2



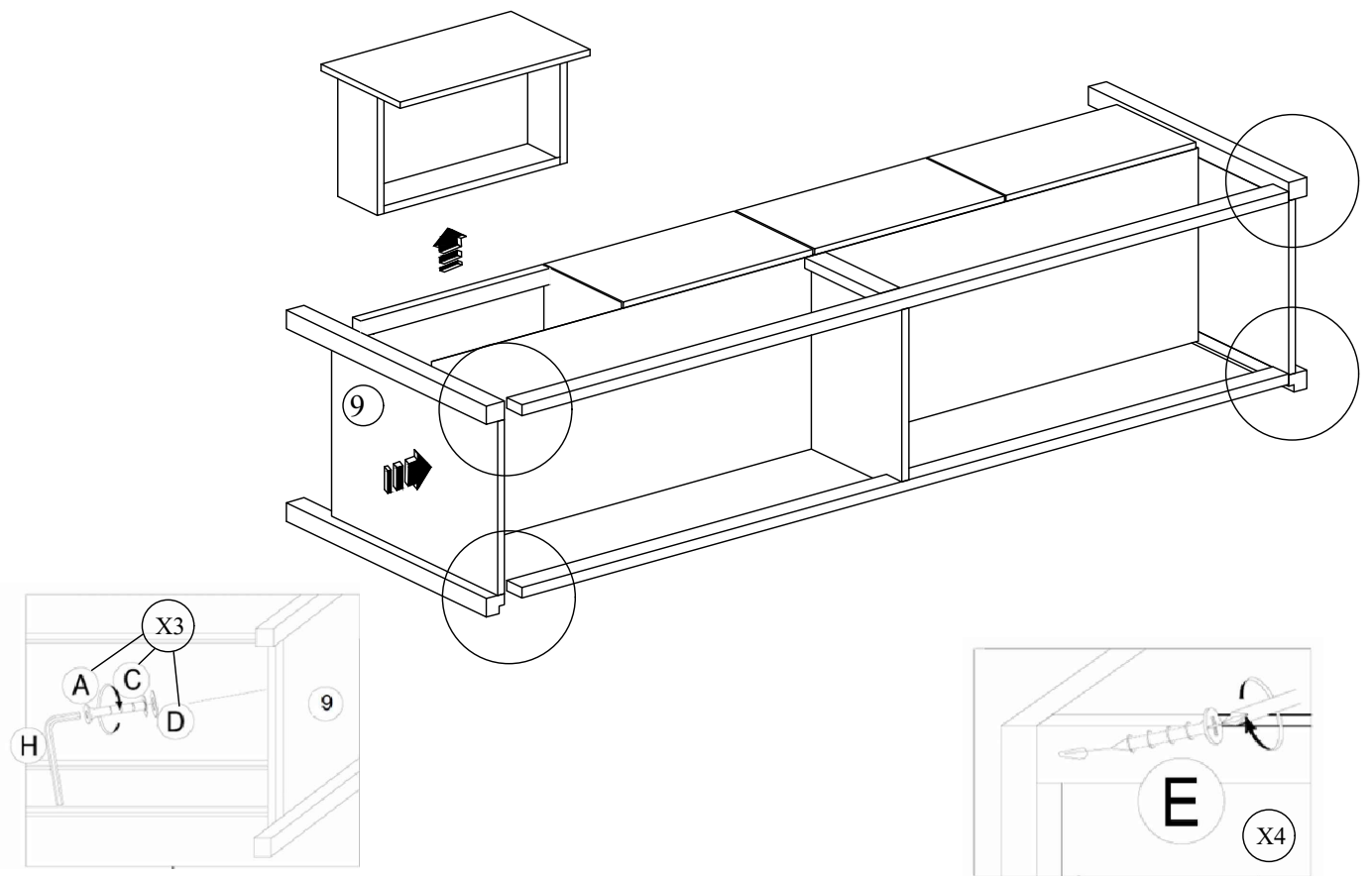
STEP 3



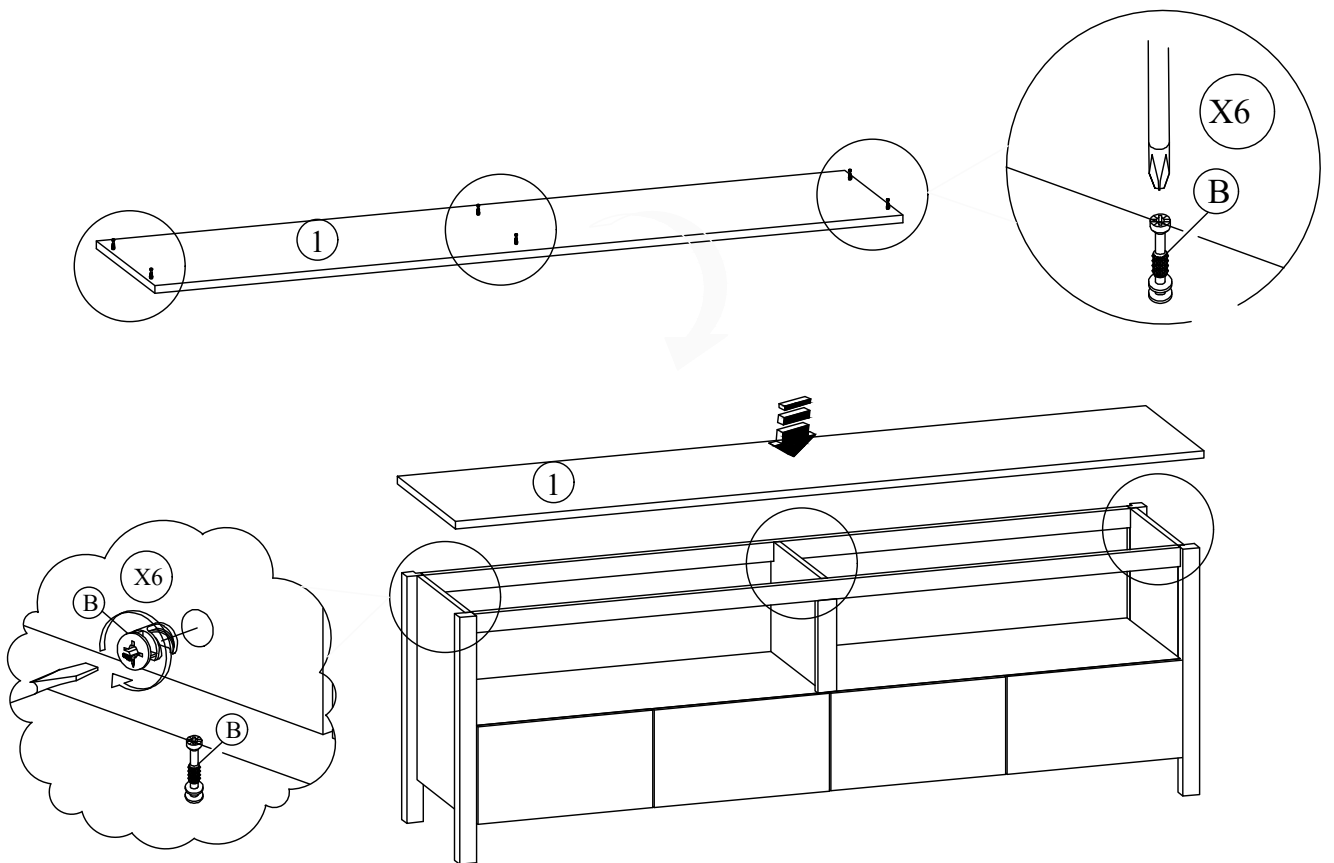
STEP 4



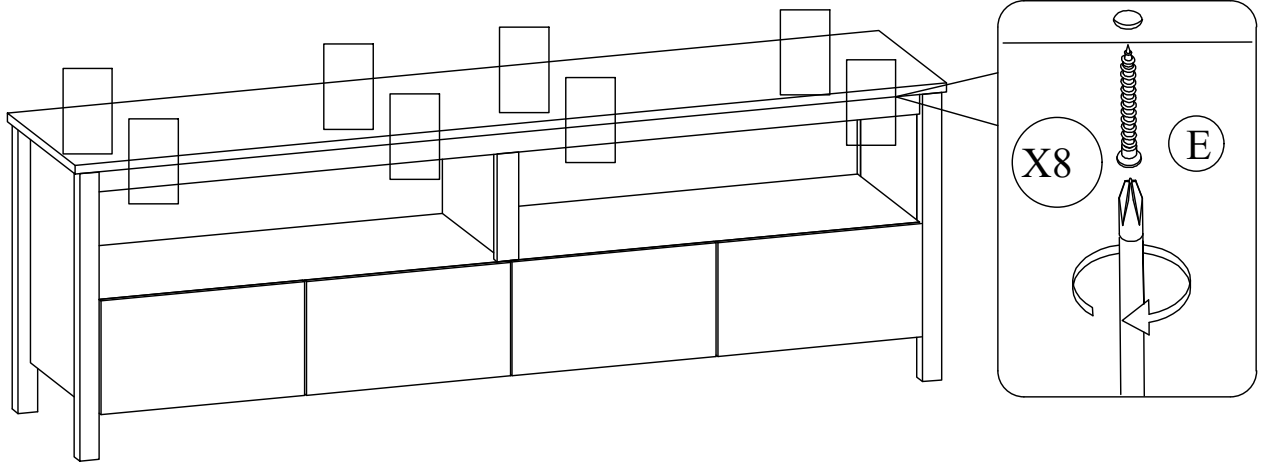
STEP 5



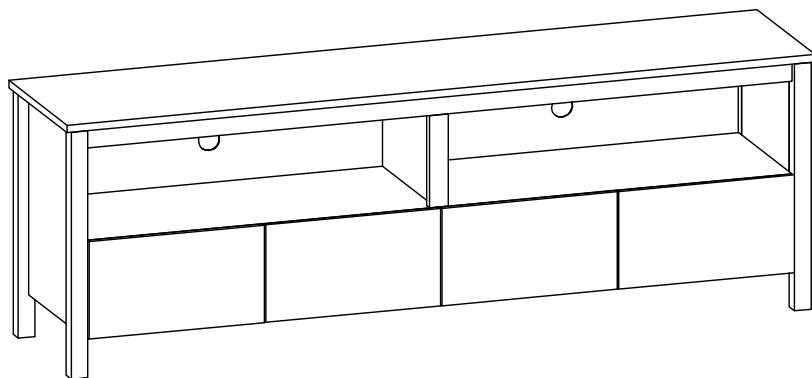
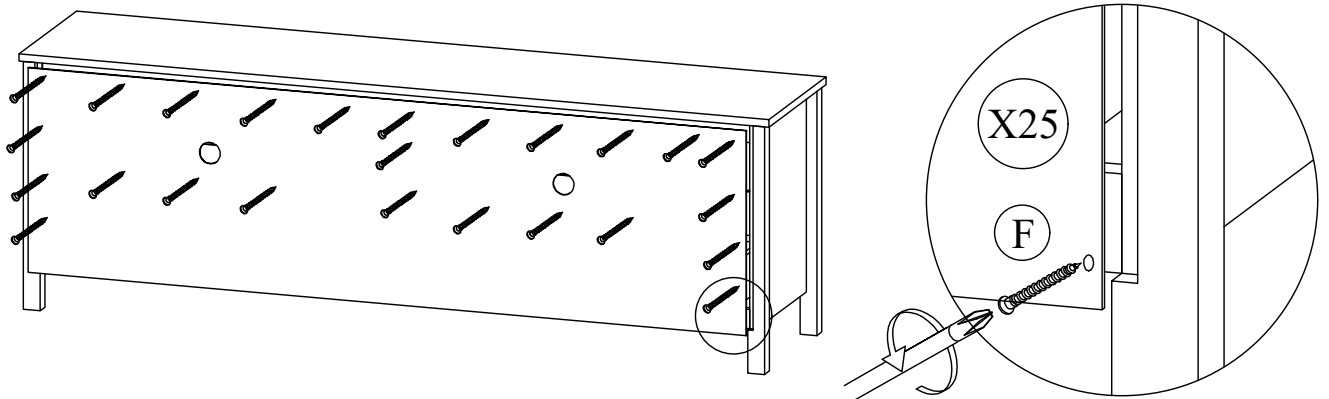
STEP 6



STEP 7



STEP 8



FINISH ASSEMBLY