
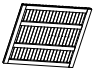









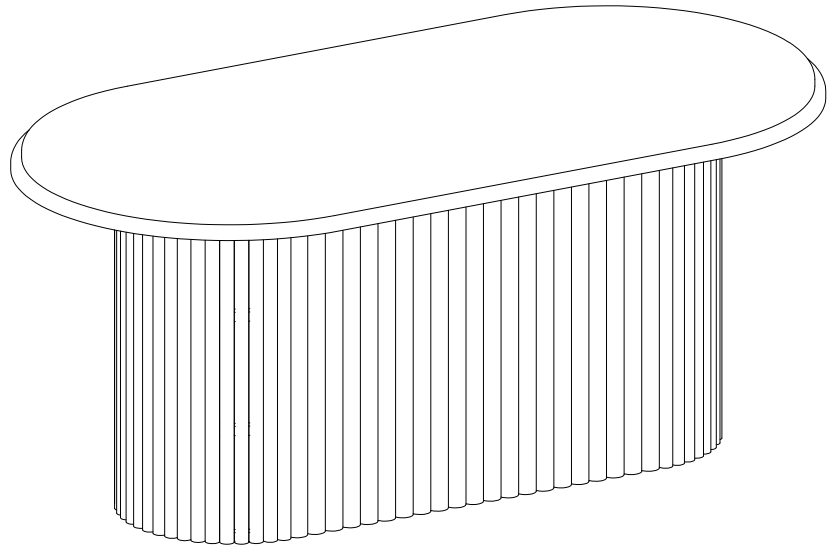


ASSEMBLY INSTRUCTIONS

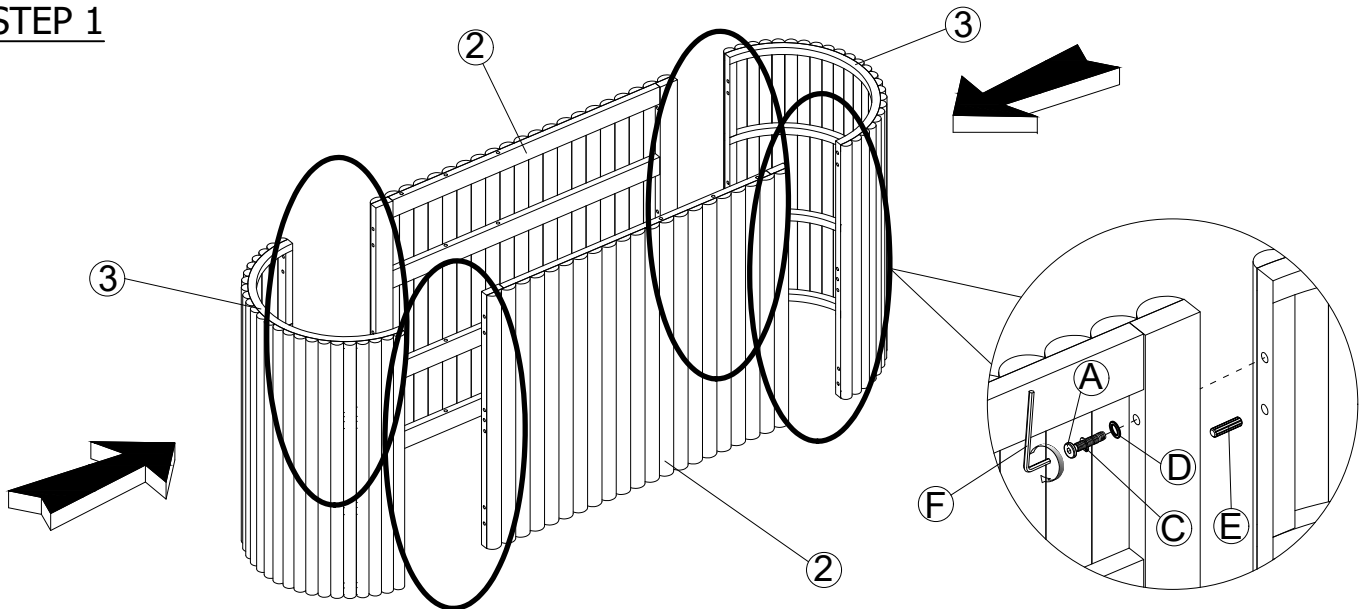
MODEL :TB 8079 (2000x1000)

ITEM	PART NAME	QTY
1	Table Top 	1 PC
2	Leg Panel 	2 PCS
3	Side Leg 	2 PCS
4	Top Frame 	1 PC

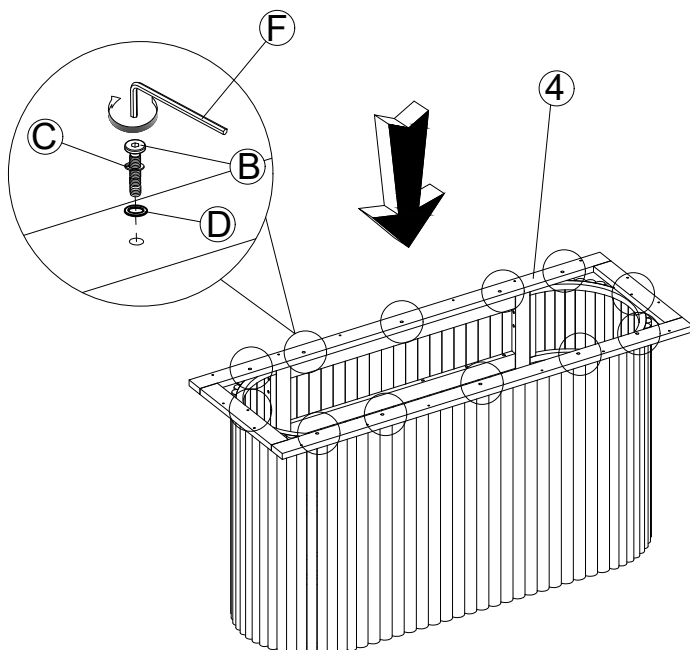
ITEM	HARDWARE NAME	DESCRIPTION	QTY
A	JCBC Bolt M6 x 55 mm		12 PCS
B	JCBC Bolt M6 x 25 mm		28 PCS
C	Spring Washer M6		40 PCS
D	Flat Washer M6x13		40 PCS
E	Wood Dowel M10x30		16 PCS
F	ALLEN KEY M4 (Long)		1 PC
G	Adjuster 15mm		12 PCS



STEP 1



STEP 2



STEP 3

