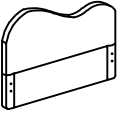

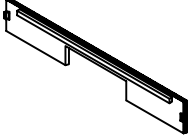

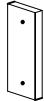



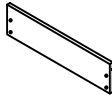
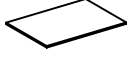
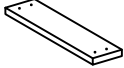
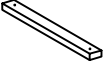


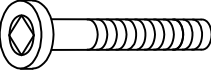
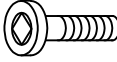
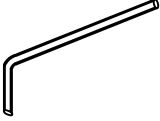
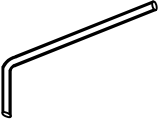
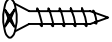
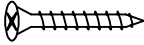
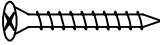
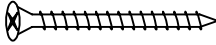


ASSEMBLY INSTRUCTIONS

Amber

PARTS LIST

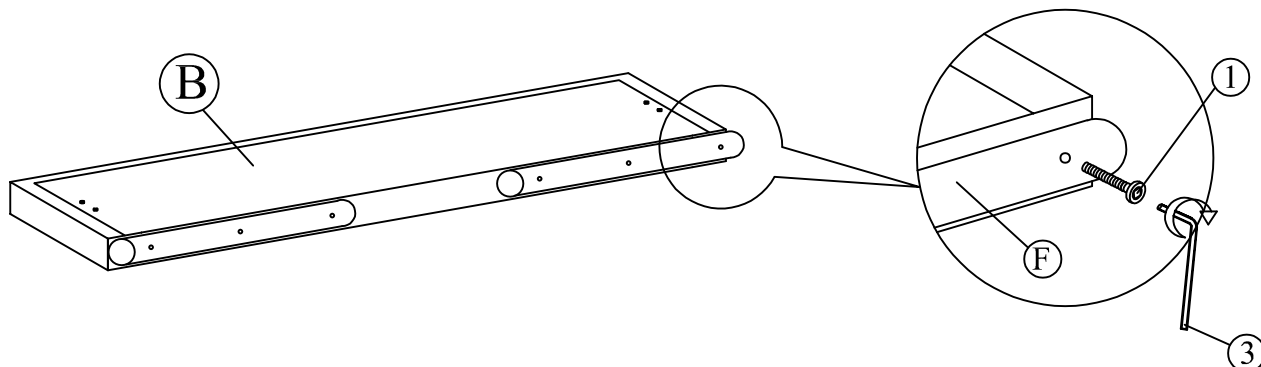
<p>A HEADBOARD (1 PC)</p> 	<p>B FOOTBOARD (1 PC)</p> 	<p>C SIDE RAIL (2 PCS)</p> 	<p>D SLAT (14 PCS) 1097mm</p> 	<p>E SIDE RAIL (4PCS) SUPPORT 265 x 60 x 18mm</p> 	<p>F LEGS (2 PCS) 600 x 50Hmm</p> 
<p>G SIDE RAIL (2 PCS) FRONT PANEL (WITH LABEL 1)</p> 	<p>H SIDE RAIL (2 PCS) BACK PANEL (WITH LABEL 2)</p> 	<p>I SIDE RAIL SIDE PANEL (4 PCS) (WITH LABEL 3)</p> 	<p>J SIDE RAIL (2 PCS) BOTTOM PANEL (WITH LABEL 4)</p> 	<p>K BOTTOM PANEL (4 PCS) BIG SUPPORT (WITH LABEL 5)</p> 	<p>L BOTTOM PANEL (2 PCS) SMALL SUPPORT (WITH LABEL 6)</p> 

HARDWARE LIST

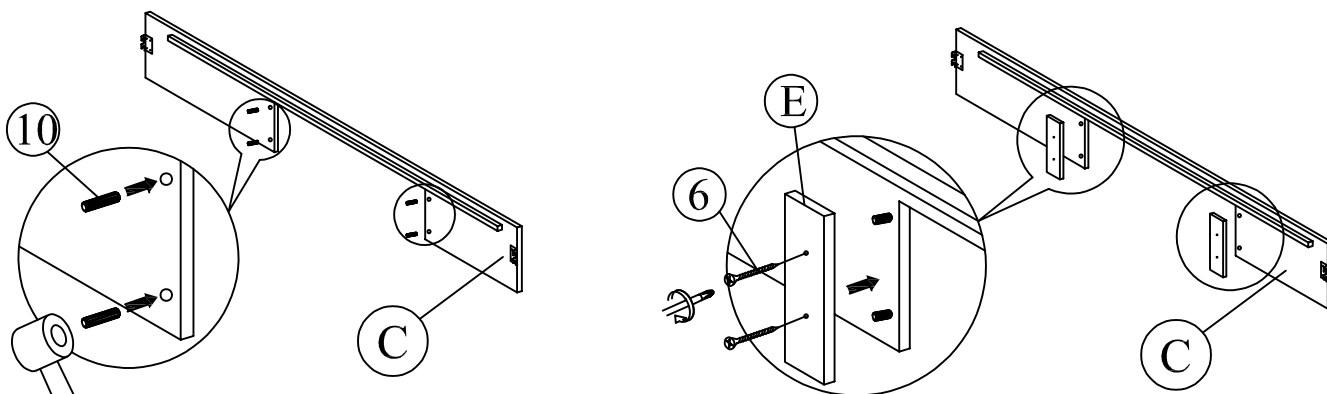
<p>1 JCBC M6 X 50mm (6 PCS)</p> 	<p>2 JCBB M8 x 20 mm (8 PCS)</p> 	<p>3 ALLEN KEY M4 X 100mm (1 PC)</p> 	<p>4 ALLEN KEY M5 X 70mm (1 PC)</p> 	<p>5 CSK M3.5 x 16mm (32 PCS)</p> 
<p>6 CSK M4 x 28mm (8 PCS)</p> 	<p>7 CSK M4 x 32mm (48 PCS)</p> 	<p>8 CSK M4 x 50mm (16 PCS)</p> 	<p>9 ROLLER (8 PCS)</p> 	<p>10 WOOD DOWEL 20MM (8 PCS)</p> 

ASSEMBLY INSTRUCTIONS

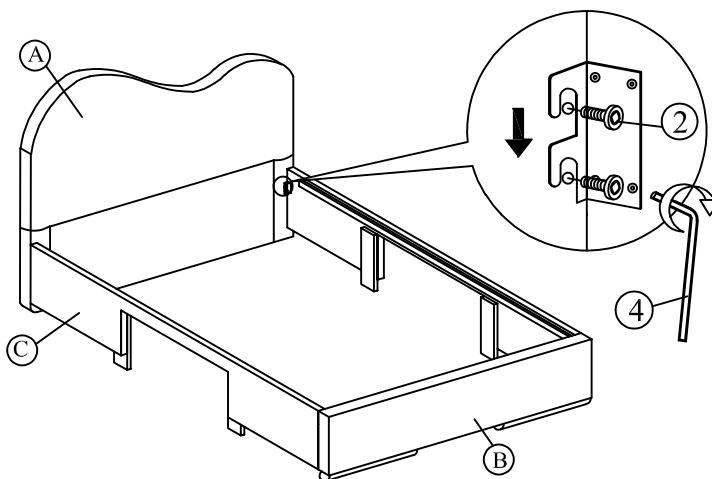
Step 1 : Tighten the legs (F) to both footboard (B) as shown.



Step 2 : Attach wood dowel (10) to side rail (C). Tighten the side rail support (E) to the side rail (C) with screws (6) using screw driver (not included).

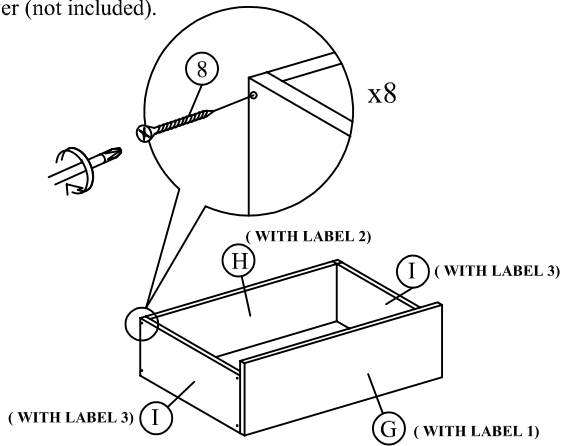


Step 3 : Attach side rail (C) to headboard (A) and footboard (B) by pushing the bracket down to fit it.

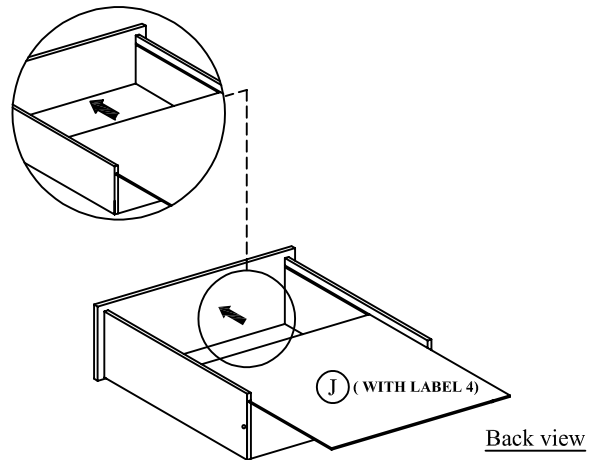


ASSEMBLY INSTRUCTIONS

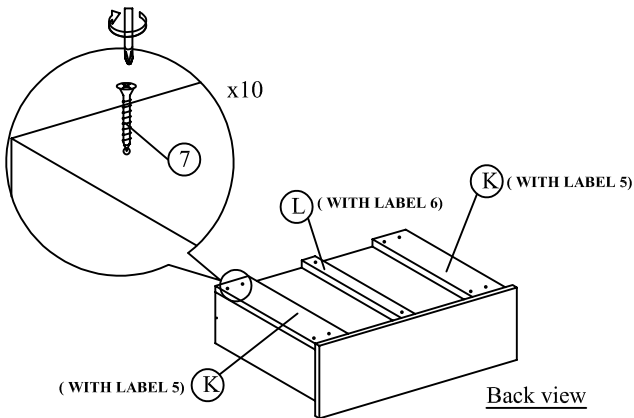
Step 4 : Tighten the side rail side panel (I) to the side rail front panel (G) and side rail back panel (H) with screws (8) using screw driver (not included).



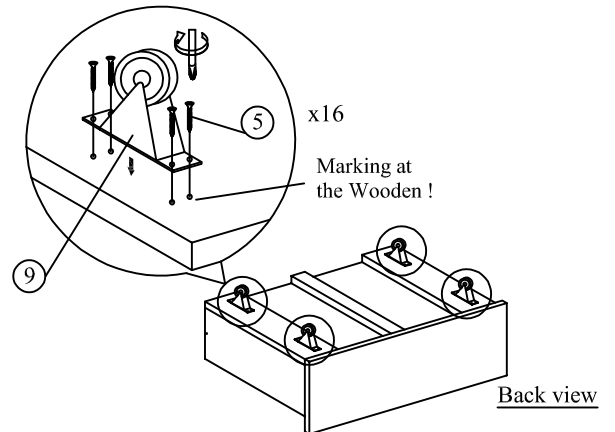
Step 5 : Slide the side rail bottom panel (J) to the set up drawer.



Step 6 : Tighten the bottom panel support (K & L) with screws (7) using screw driver (not included).



Step 7 : Tighten the roller (9) with screws (5) using screw driver (not included).



Step 8 : Affix the Slat (D) to the side rail support wood. Tighten all the 4 corner.

