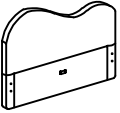

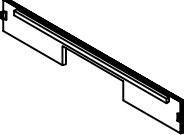
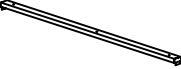


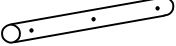


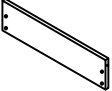
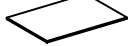
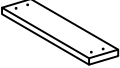
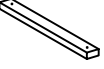
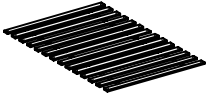


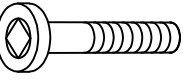
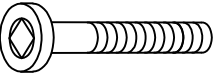
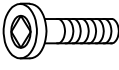
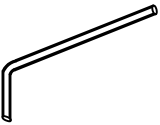

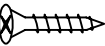
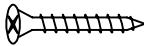
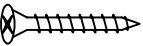
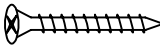
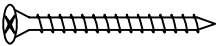

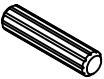
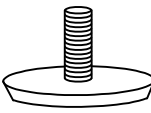
ASSEMBLY INSTRUCTIONS

Amber

PARTS LIST

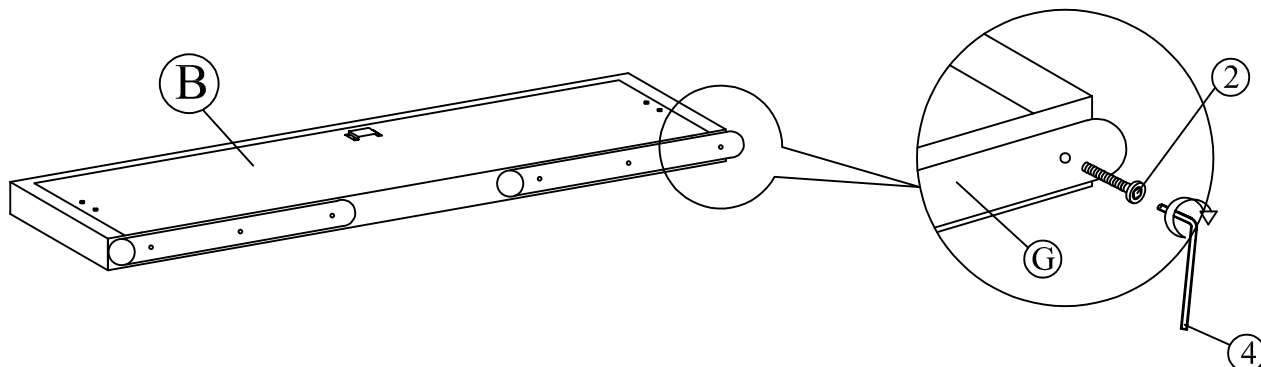
<p>A HEADBOARD (1 PC)</p> 	<p>B FOOTBOARD (1 PC)</p> 	<p>C SIDE RAIL (2 PCS)</p> 	<p>D CENTRAL RAIL (1 PC) 2040mm</p> 	<p>E SUPPORT LEG (3 PCS) 265mm</p> 	<p>F SIDE RAIL (4PCS) SUPPORT 265 x 60 x 18mm</p> 
<p>G LEGS (2 PCS) 600 x 50Hmm</p> 	<p>H SIDE RIAL (2 PCS) FRONT PANEL (WITH LABEL 1)</p> 	<p>I SIDE RAIL (2 PCS) BACK PANEL (WITH LABEL 2)</p> 	<p>J SIDE RAIL SIDE PANEL (4 PCS) (WITH LABEL 3)</p> 	<p>K SIDE RAIL (2 PCS) BOTTOM PANEL (WITH LABEL 4)</p> 	<p>L BOTTOM PANEL (4 PCS) BIG SUPPORT (WITH LABEL 5)</p> 
<p>M BOTTOM PANEL (2 PCS) SMALL SUPPORT (WITH LABEL 6)</p> 	<p>N SLAT (14 PCS) 1537mm</p> 				

HARDWARE LIST

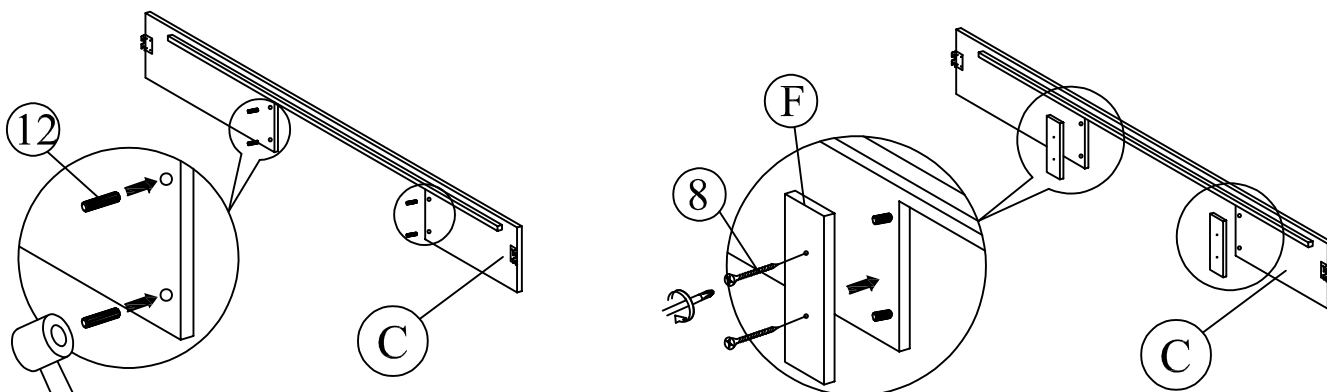
<p>1 JCBC M6 X 40mm (3 PCS)</p> 	<p>2 JCBC M6 X 50mm (6 PCS)</p> 	<p>3 JCBB M8 x 20 mm (8 PCS)</p> 	<p>4 ALLEN KEY M4 X 100mm (1 PC)</p> 	<p>5 ALLEN KEY M5 X 70mm (1 PC)</p> 
<p>6 CSK M3.5 x 16mm (38 PCS)</p> 	<p>7 CSK M4 x 25mm (2 PCS)</p> 	<p>8 CSK M4 x 28mm (8 PCS)</p> 	<p>9 CSK M4 x 32mm (51 PCS)</p> 	<p>10 CSK M4 x 50mm (16 PCS)</p> 
<p>11 ROLLER (8 PCS)</p> 	<p>12 WOOD DOWEL 20MM (8 PCS)</p> 	<p>13 Big Adjuster (3 PCS)</p> 		

ASSEMBLY INSTRUCTIONS

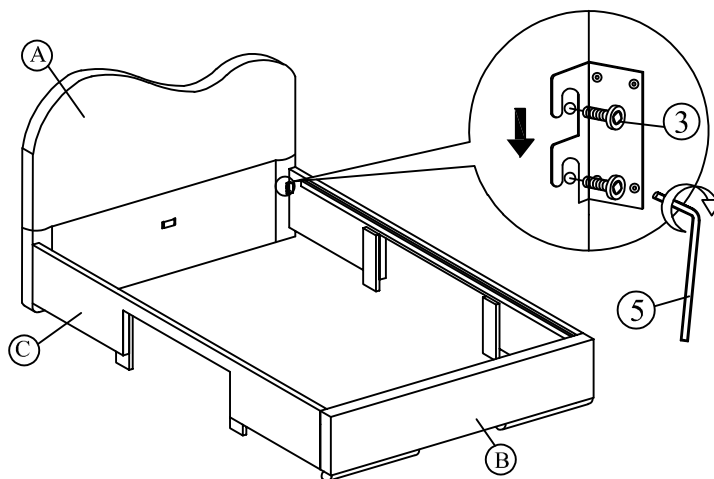
Step 1 : Tighten the legs (G) to both footboard (B) as shown.



Step 2 : Attach wood dowel (12) to side rail (C). Tighten the side rail support (F) to the side rail (C) with screws (8) using screw driver (not included).

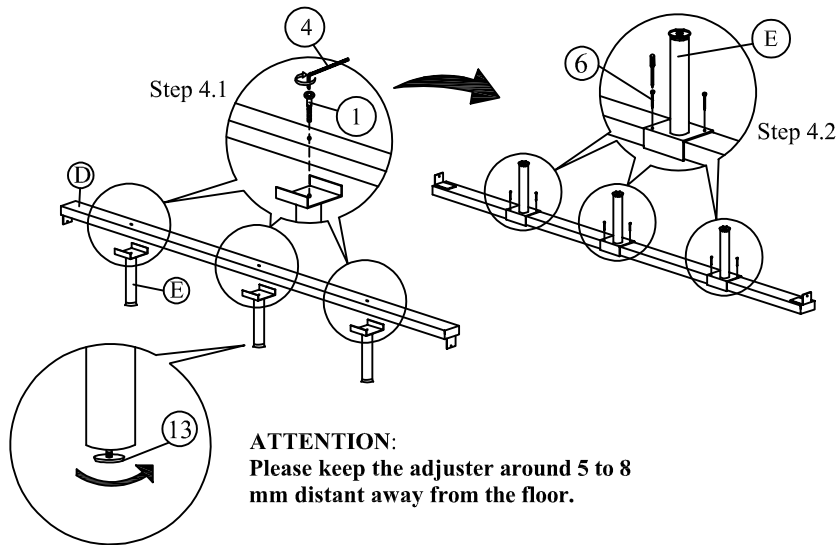


Step 3 : Attach side rail (C) to headboard (A) and footboard (B) by pushing the bracket down to fit it.

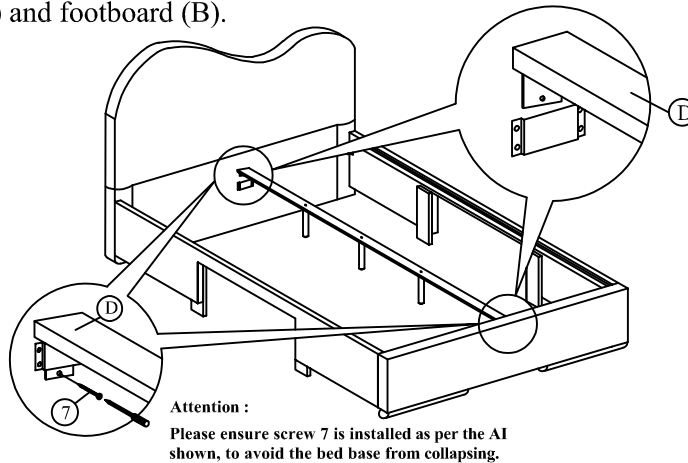


ASSEMBLY INSTRUCTIONS

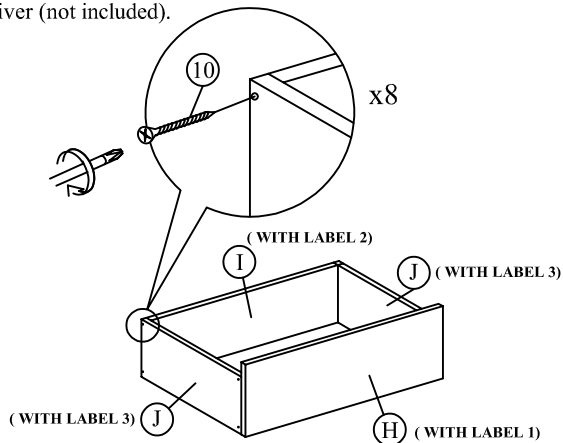
Step 4 : Attach the support legs (E) to the center rail (D) of the bed as shown.



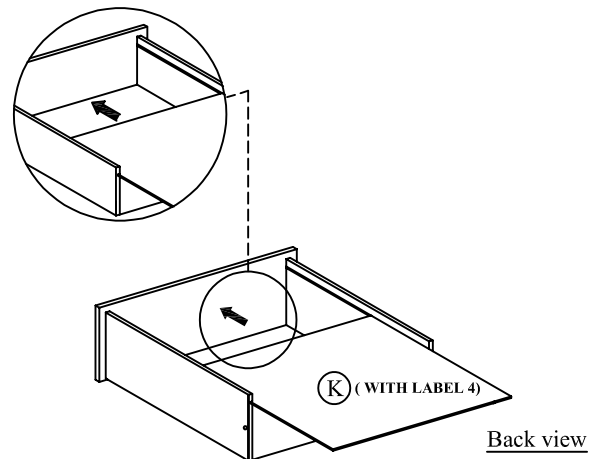
Step 5 : Slide the center rail (D) to the headboard (A) and footboard (B). Tighten screws (7) using screw driver (not included) to the headboard (A) and footboard (B).



Step 6 : Tighten the side rail side panel (J) to the side rail front panel (H) and side rail back panel (I) with screws (10) using screw driver (not included).

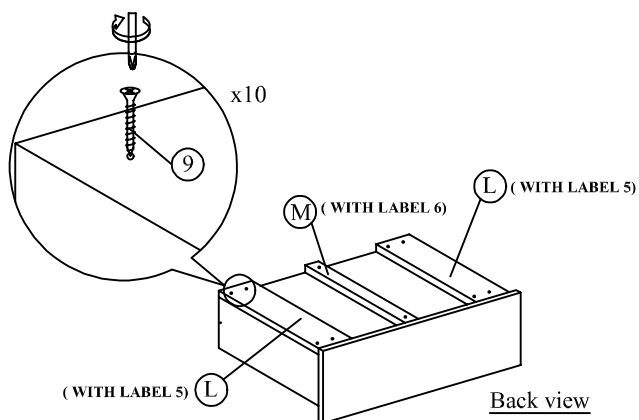


Step 7 : Slide the side rail bottom panel (K) to the set up drawer.

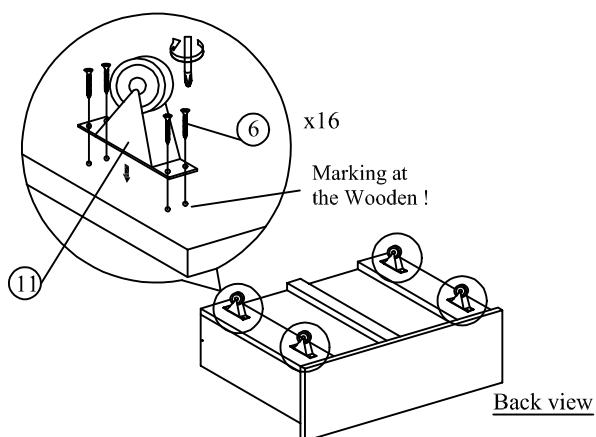


ASSEMBLY INSTRUCTIONS

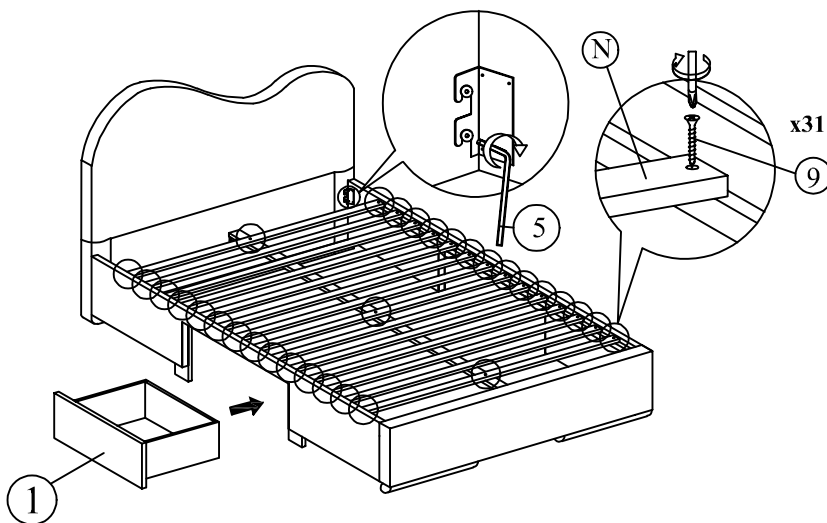
Step 8 : Tighten the bottom panel support (L & M) with screws (9) using screw driver (not included).



Step 9 : Tighten the roller (11) with screws (6) using screw driver (not included).



Step 10 : Affix the Slat (N) to the side rail support wood and the center rail (D). Tighten all the 4 corner.



Please follow all AI instructions to ensure the bed is assembled correctly