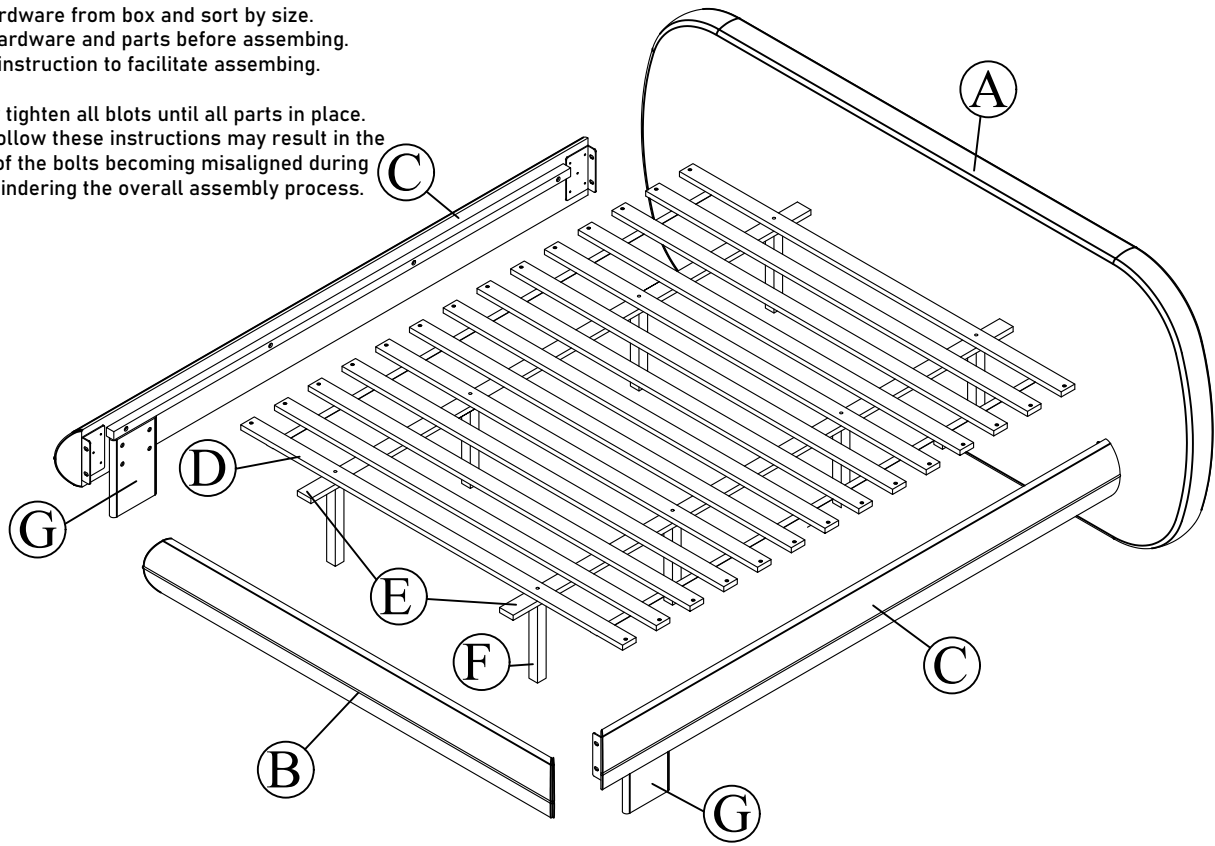







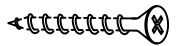


ASSEMBLY INSTRUCTIONS



#BERYL KING BED

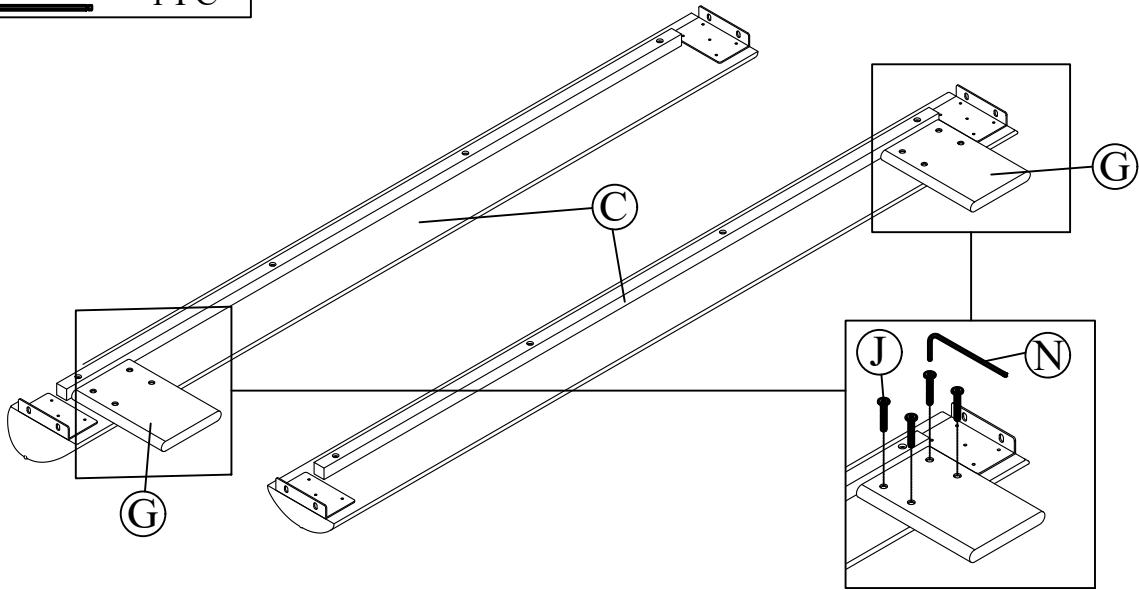
Remove hardware from box and sort by size.
Check all hardware and parts before assembling.
Follow the instruction to facilitate assembling.

Do not fully tighten all bolts until all parts in place.
Failure to follow these instructions may result in the
possibility of the bolts becoming misaligned during
assembly hindering the overall assembly process.





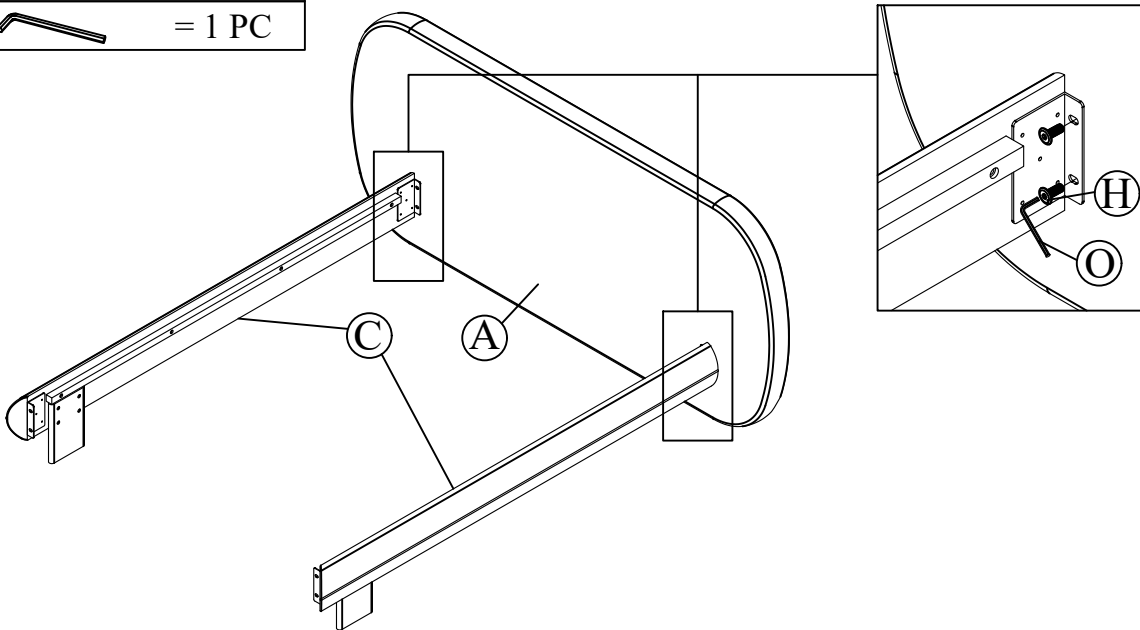
	ITEM	QTY		HARDWARE	QTY
A	HEADBOARD	1	H	 JCBB M8 X 30MM	8
B	FOOTBOARD	1	I	 JCBB M8 X 75MM	8
C	SIDERAIL (L & R)	2	J	 JCBC M6 X 45MM	8
D	SLAT	1 SET	K	 BARREL NUT M8 X 20MM	8
E	CENTER RAIL	2	L	 ADJUSTER M6 X 29MM	8
F	CENTER LEG	8	M	 CSK M4 X 32MM	28
G	BED LEG	2	N	 ALLEN KEY WITH BALL M4 X 100MM	1
			O	 ALLEN KEY M5 X 70MM	1

J		= 8 PCS
N		= 1 PC





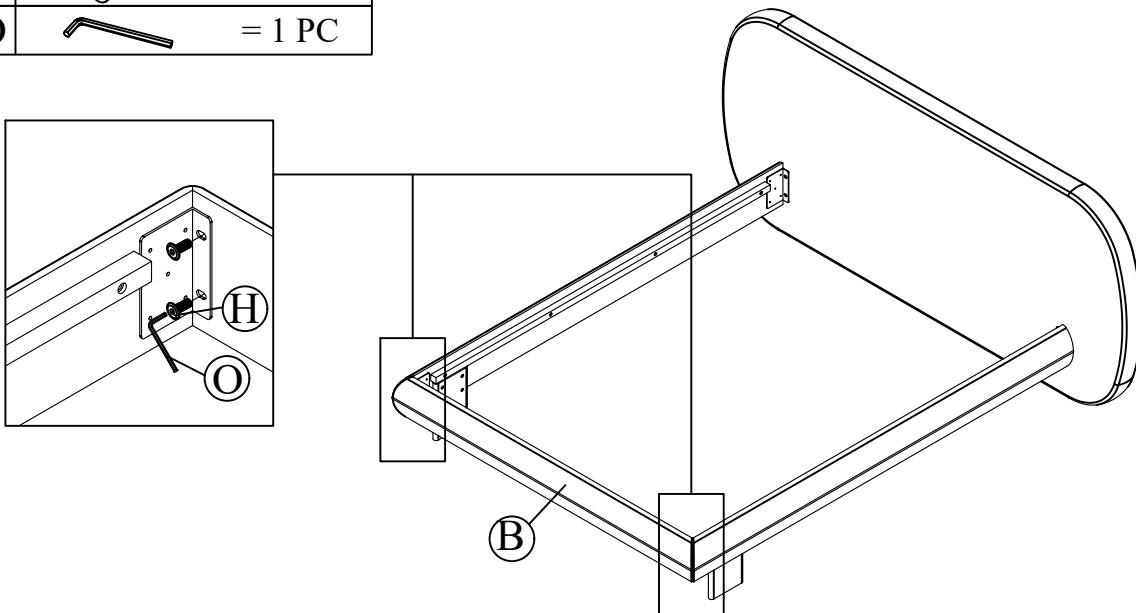
1

H		= 4 PCS
O		= 1 PC







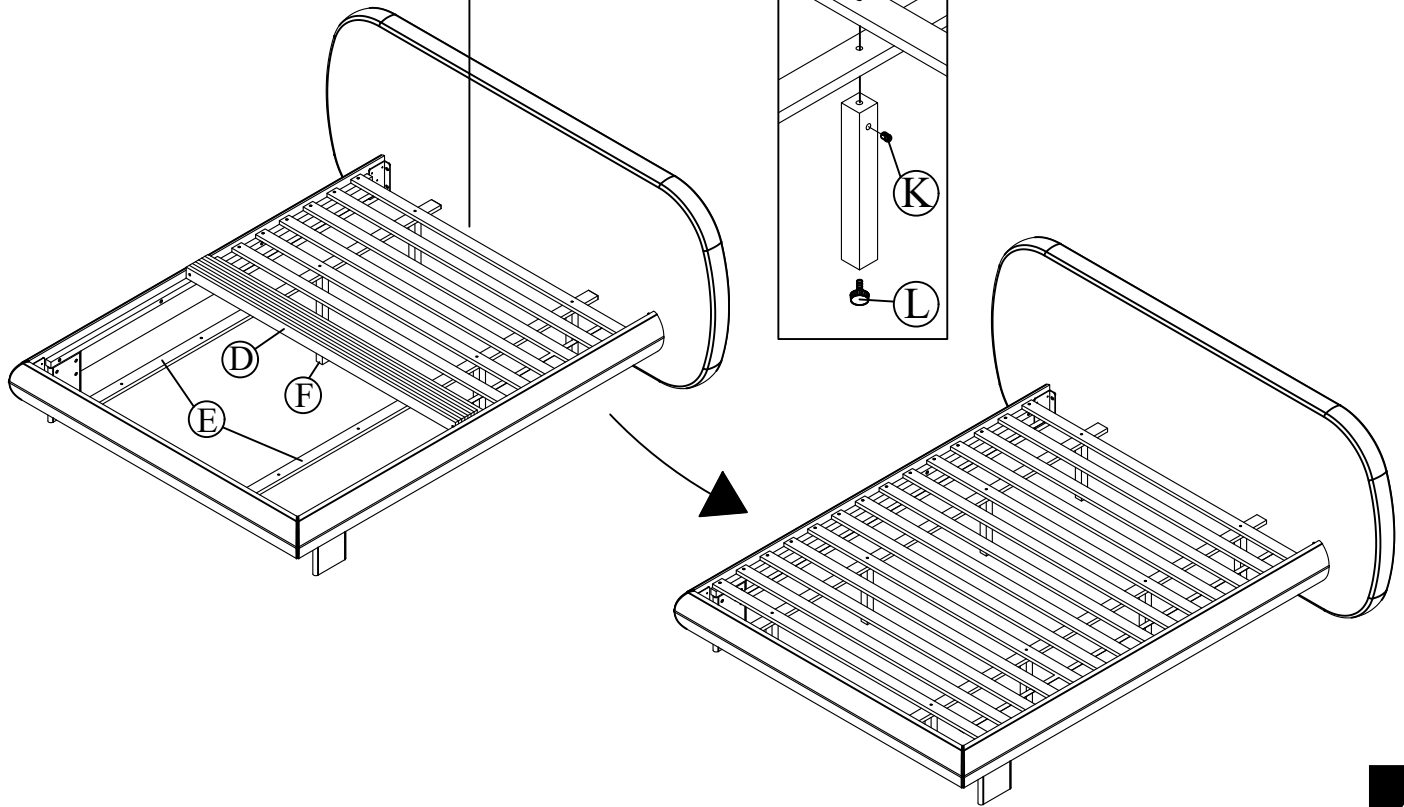
2

H		= 4 PCS
O		= 1 PC



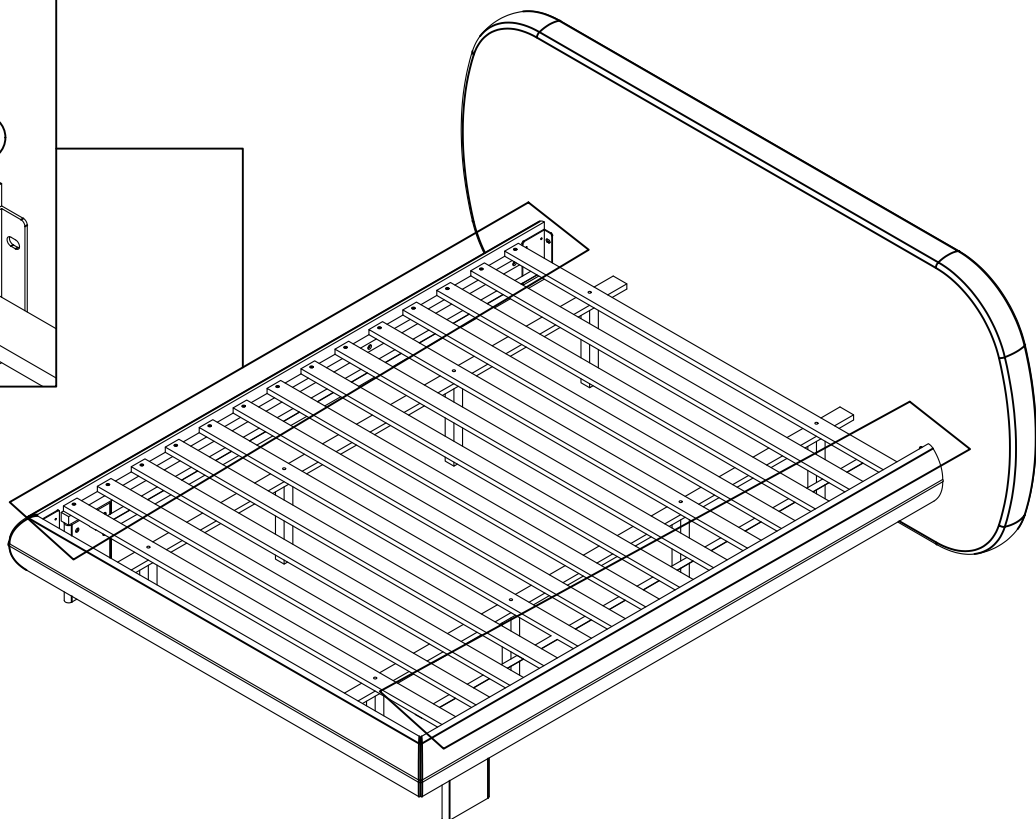
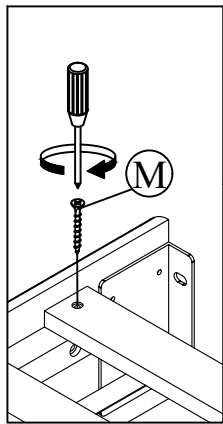
3

I		= 8 PCS
K		= 8 PCS
O		= 1 PC
L		= 8 PCS



4

M		= 28 PCS
---	---	----------



5

*Please follow all AI instructions to ensure the bed is assembled correctly