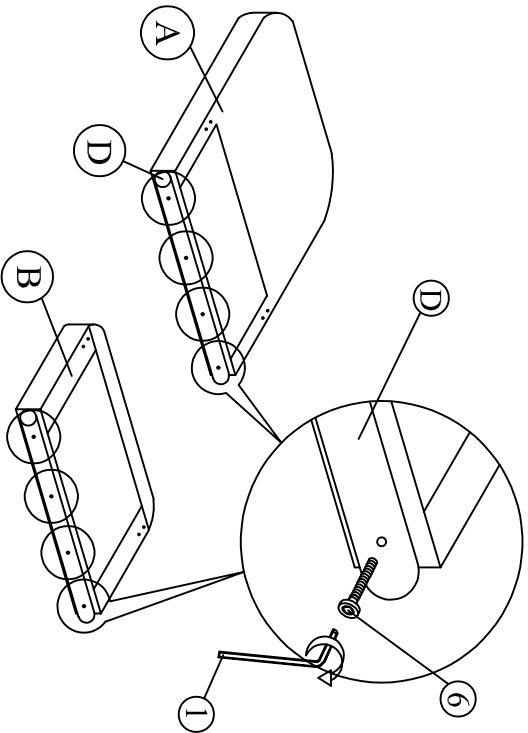


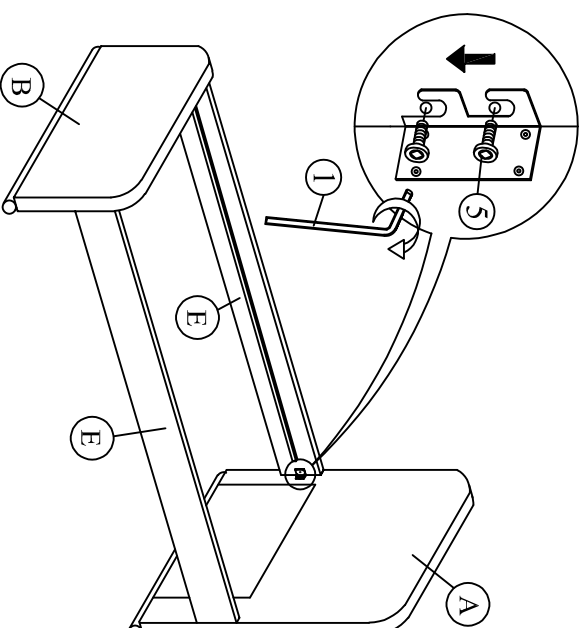
MODEL : PELLE  
(3.5")

A	Headboard	1 pc
B	Footboard	1 pc
C	1007mm Slat 13 Pcs	1 pc
D	Legs	2 pcs
E	Side Rail	2 pcs
F	Trundle Front Panel (PU)	2 pcs
G	Trundle Side Panel	2 pcs
H	Slat 7 Pcs	1 pc
I	Bottom Panel	2 pcs
Packing Hardware		
1	M4 x 100 mm	1 pc
2	M5 x 70 mm	1 pc
3	CSK M4 x 33mm	64 pcs
4	Roller	6 pcs
5	JCBB M8 X 20	16 pcs
6	JCBC M6 X 50	8 pcs

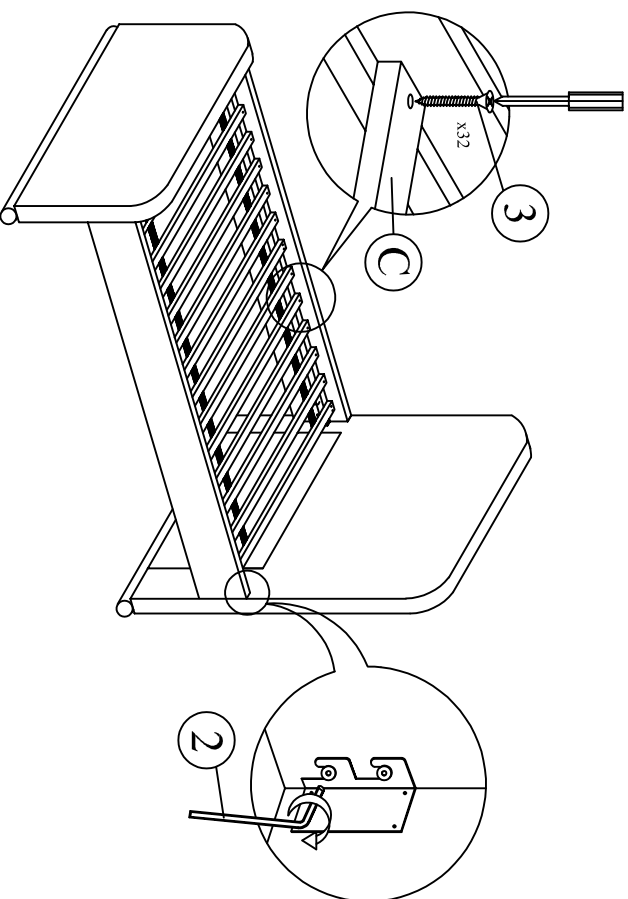
Step 1 : Tighten the legs (D) to both headboard (A) and footboard (B) as shown.



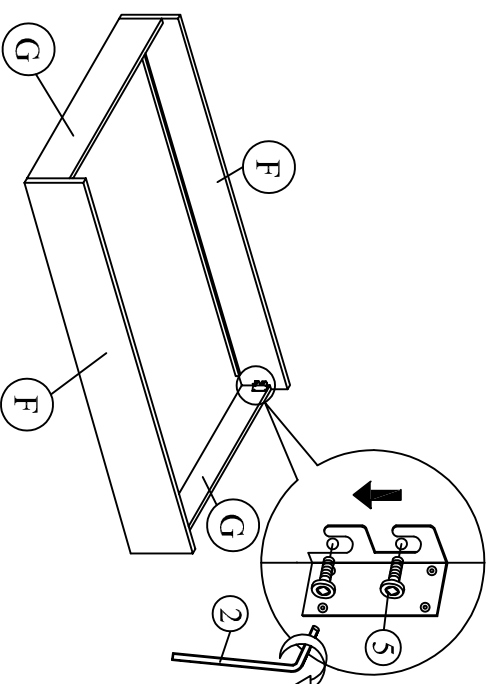
Step 2 : Attach side rail (E) to headboard (A), footboard (B) by pushing the bracket down to fit it.



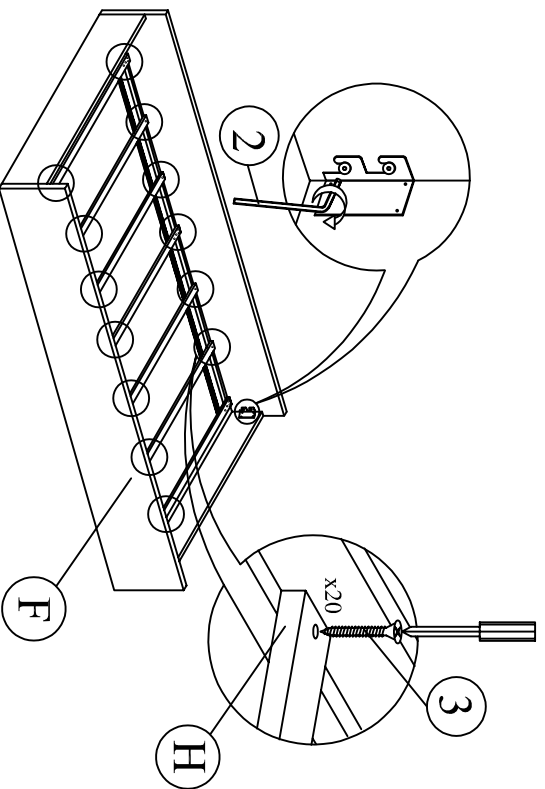
Step 3 : Tighten the 4 Corner's with Allen Key (1). Install the slats (C) to side rail. Tighten the slats with CSK screw (3). The distance of the slats should be sufficient to obtain desirable bed stability.



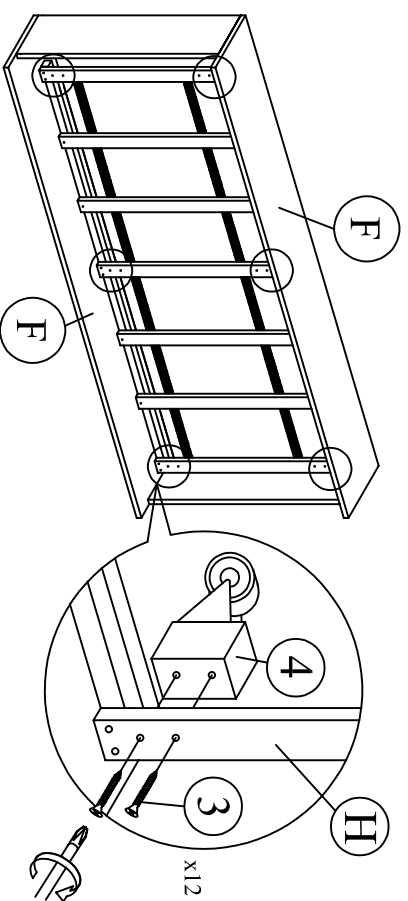
Step 4 : Attach trundle side panel (G) and trundle front panel (F) by pushing the bracket down to fit it.



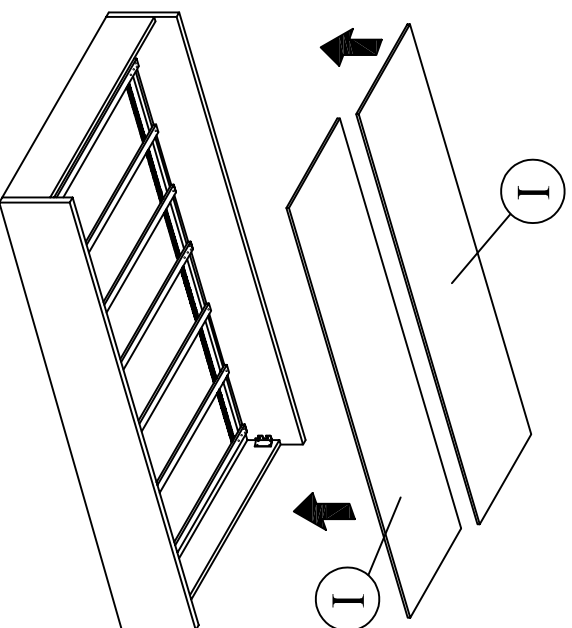
Step 5 : Install the slats (H) to trundle front panel (F). Tighten the slats with CSK screw (3). The slats should be installed evenly spaced apart for optimal bed stability.



Step 6 : Turn the trundle to another side as below diagram and tighten the roller (4) with CSK screw (3) at the slat (H).



Step 7 : Insert the panel (I) into the trundle.



Step 8 : Assembly is complete.

