

ASSEMBLY INSTRUCTION

AMBER

Night Stand

BEFORE YOU START, HERE IS SOME HELPFUL ADVICE

We suggest you spend a short time reading through this leaflet and follow the simple step-by-step assembly instruction.

Do not discard any of the packaging until you have checked that you have all the parts and the pack of fittings.

Assemble this product on a flat surface.

Assemble all parts loosely before tightening any bolts.

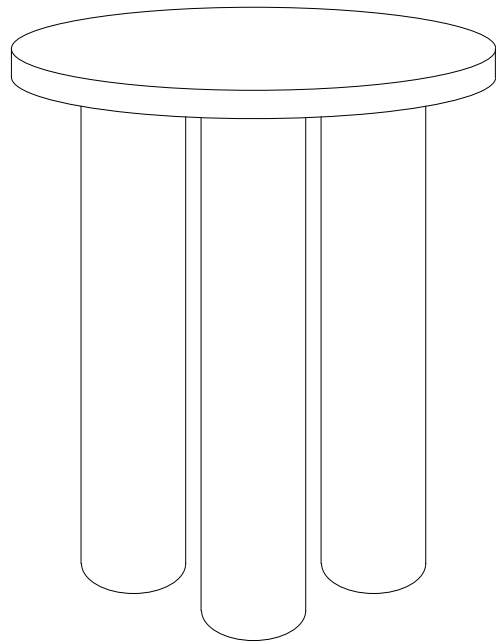
Discard all extra fittings and keep fittings out of reach of children.

To clean, wipe clean with a damp cloth.

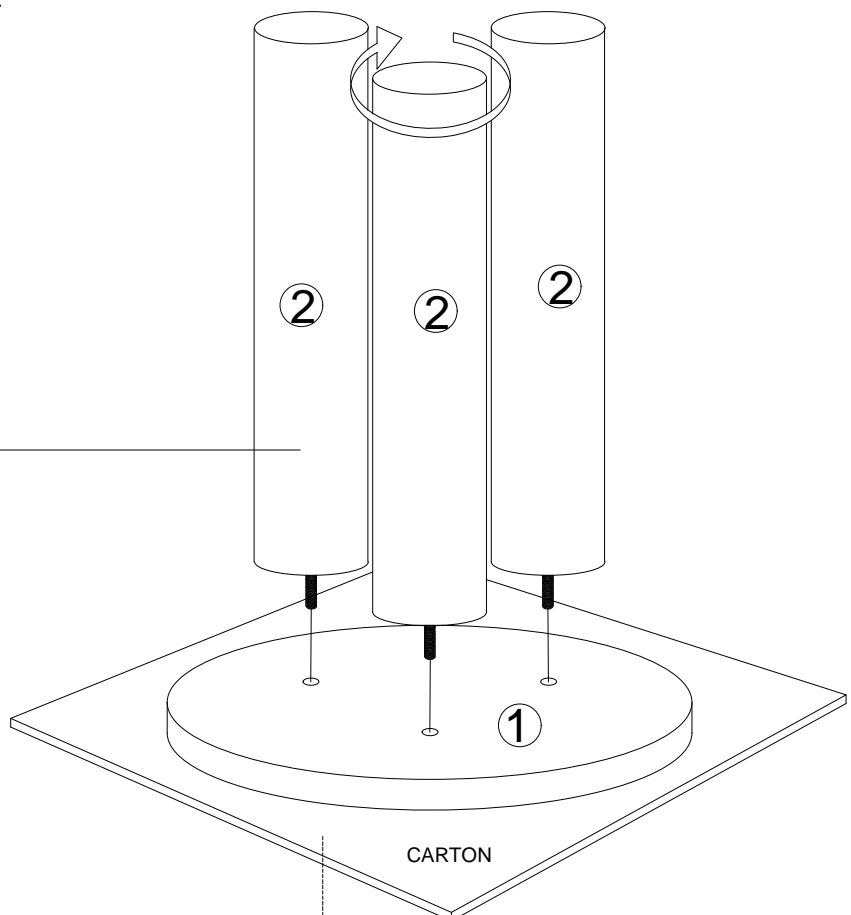
Retain Assembly Instruction for future reference.

PARTS AND FITTINGS LIST

PARTS LIST		
CODE	DESCRIPTION	QTE.
1	NIGHT STAND	1
2	LEGS	3



Do not tie to tighten!



Useful tips : assemble the furniture on the packing carton to prevent scratches.