







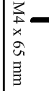
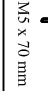


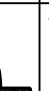



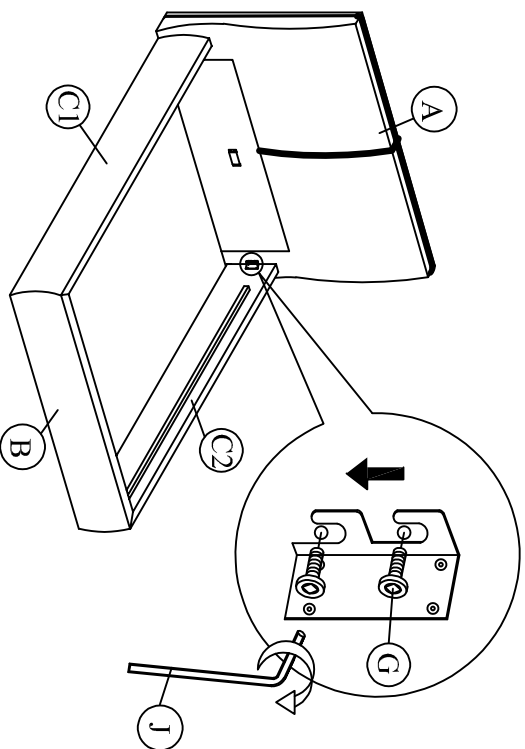
ASSEMBLY INSTRUCTION

MODEL : LODES

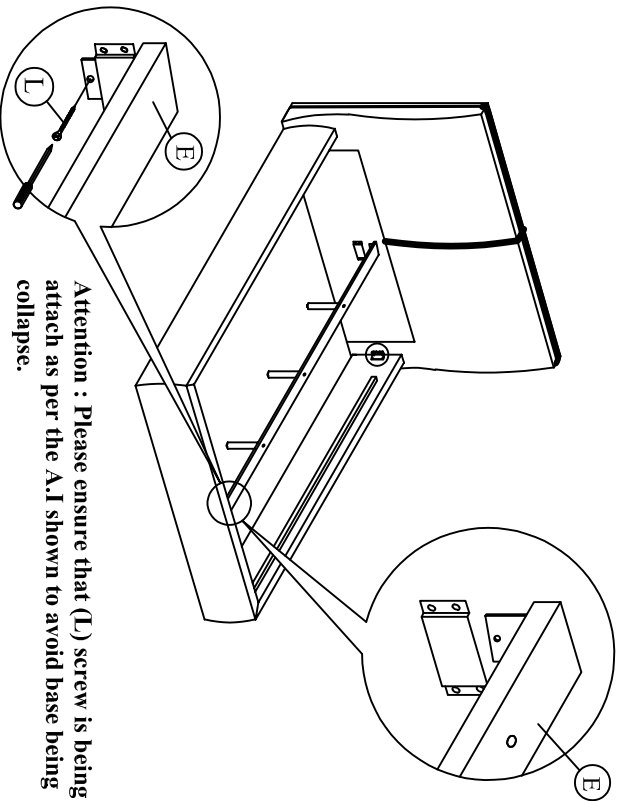
(5)

A		1 pc
B		1 pc
C		2 pcs
D		3 pcs
E		1 pc
F		1 set
G		8 pcs
H		3 pcs
I		1 pc
J		1 pc
K		6 pcs
L		1 pc
M		31 pcs
O		3 pcs

Step 1 : Attach side rail (C) to footboard (B) first follow by headboard (A) by pushing the bracket down to fit it.

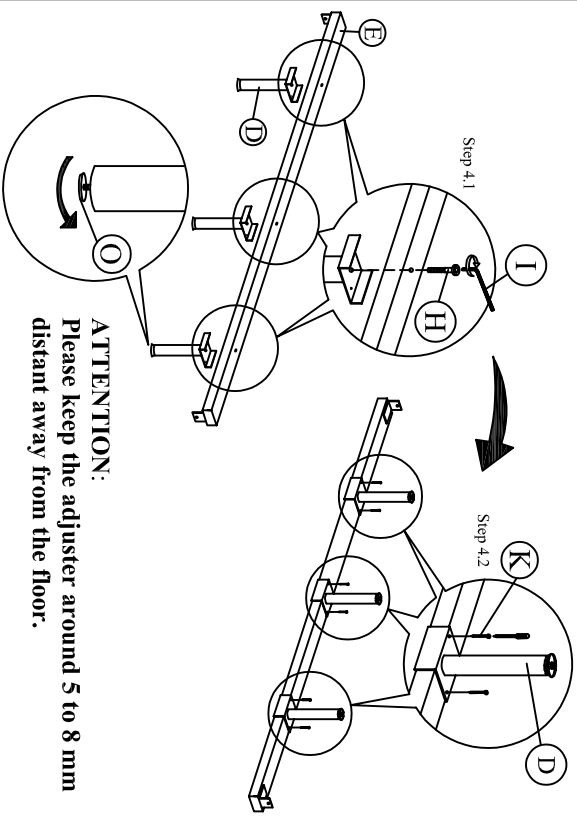


Step 3 : Slide the center rail (E) to the headboard (A) and footboard (B). Tighten screws (L) using screw driver (not included) to the footboard (B).



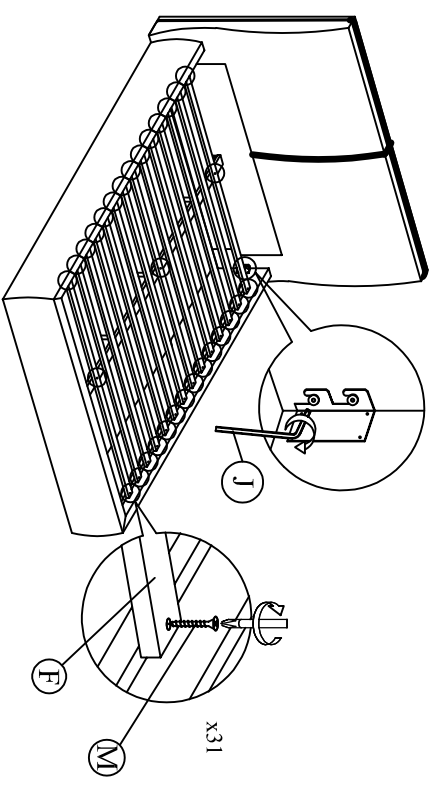
Attention : Please ensure that (L) screw is being attach as per the A.I shown to avoid base being collapse.

Step 2: Attach the support legs (D) to the center rail (E) of the bed as shown.



ATTENTION:
Please keep the adjuster around 5 to 8 mm distant away from the floor.

Step 4: Affix the Slat (F) to the side rail support wood . Tighten all the 4 corner .



Please follow all AI instructions to ensure the bed is assembled correctly