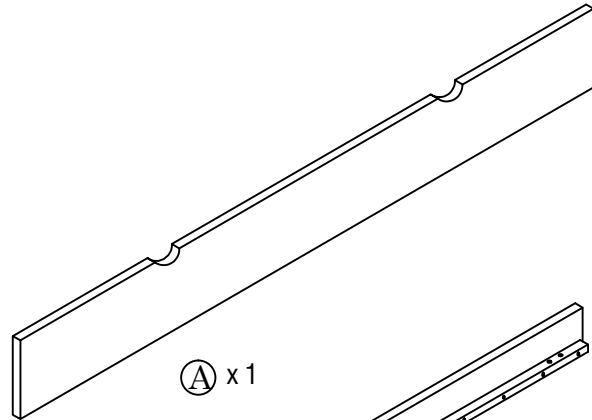
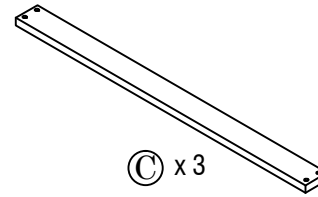


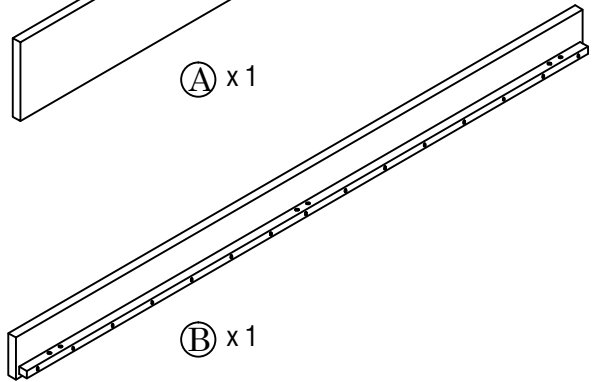
Double Trundle Bed



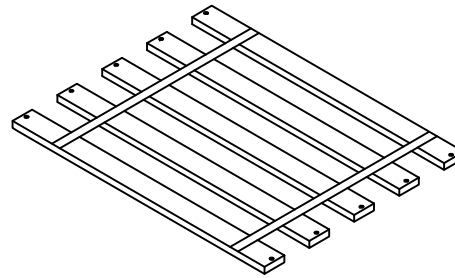
Ⓐ x1



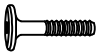
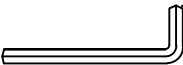


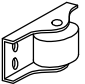
Ⓒ x3



Ⓑ x1





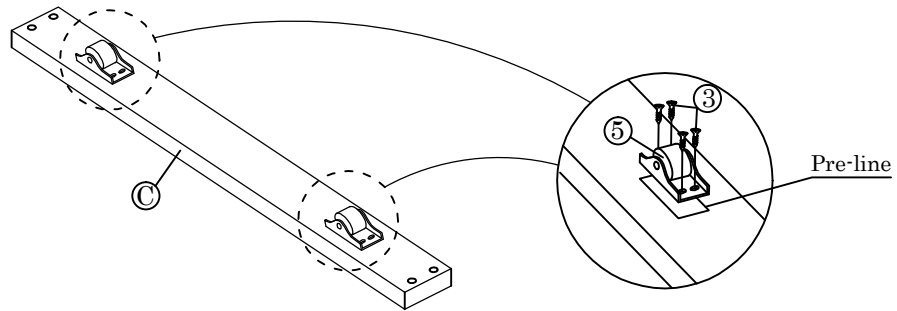
Ⓓ x2

1.	x 12	2.	x 1	3.	x 24	4.	x 20	5.	x 6
									
M6 x 35mm		ALLEN KEY		M3.5 x 16mm		M4 x 32mm		Wheel	

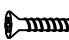
# Double Trundle Bed

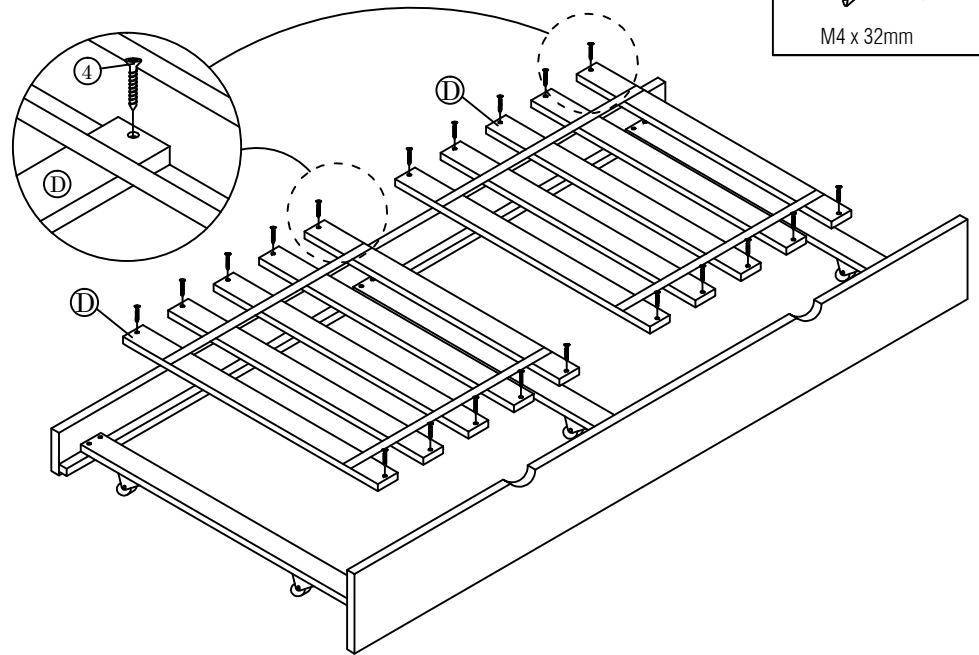
1

- 3.  x 24  
M3.5 x 16mm
- 5.  x 6  
Wheel


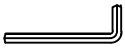


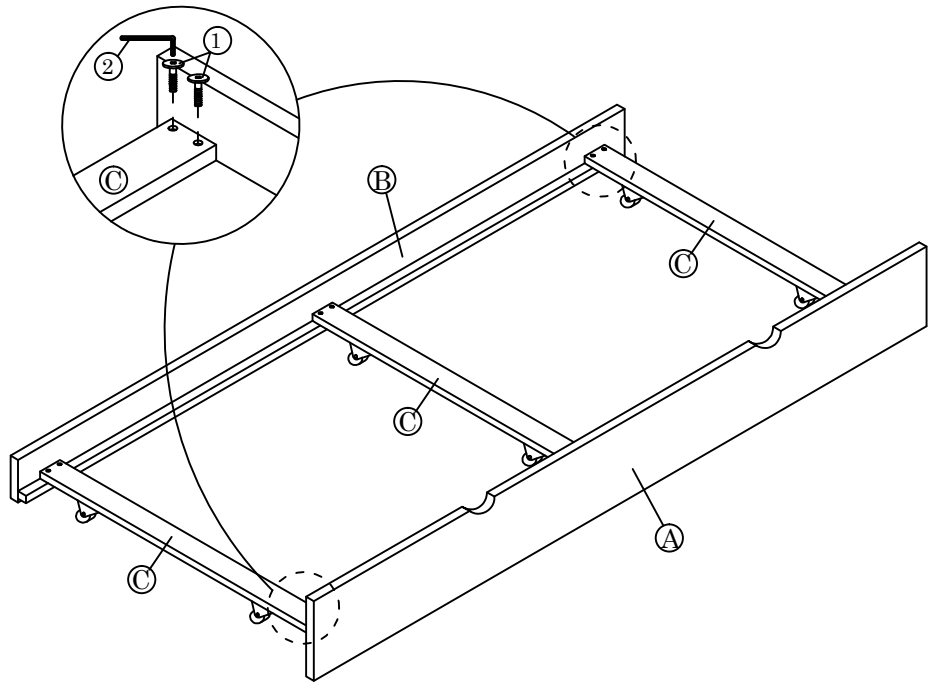
3

- 4.  x 20  
M4 x 32mm

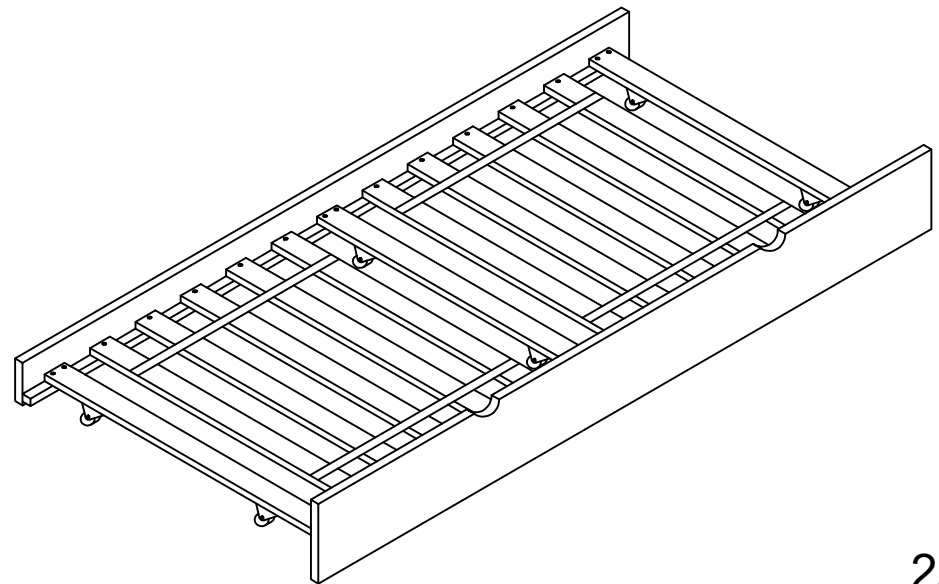


2

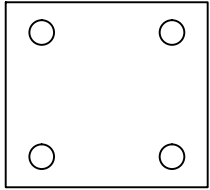
- 1.  x 12  
M6 x 35mm
- 2.  x 1  
ALLEN KEY



4



## Double Trundle Bed

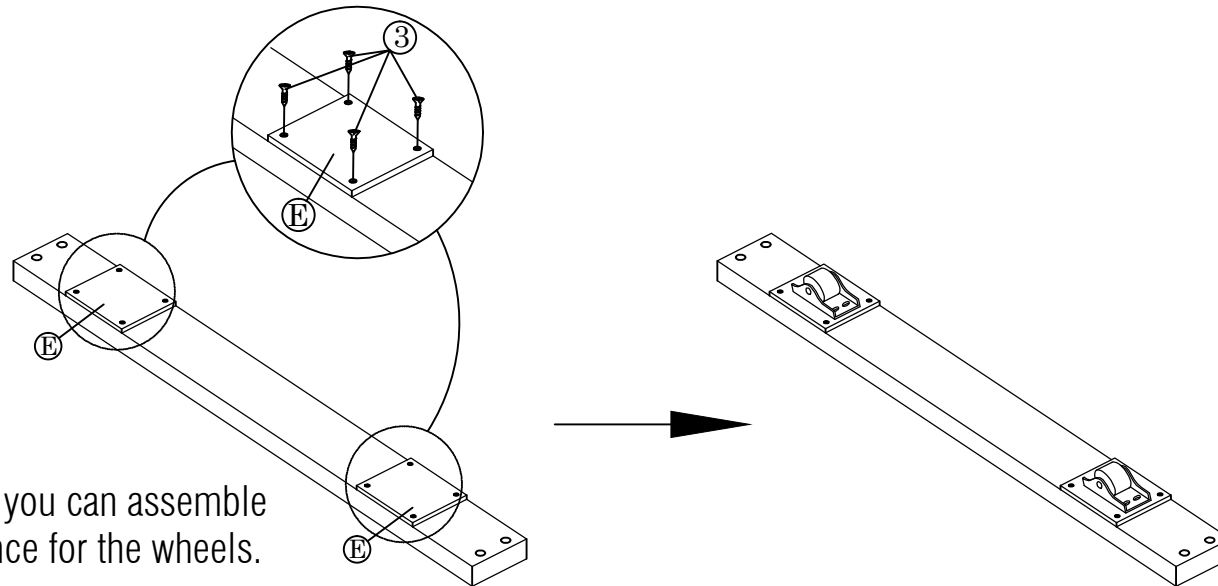


ⓔ x 6

3. x 24



M3.5 x 16mm



\*If your carpet is very plush, you can assemble part E to allow extra clearance for the wheels. Assemble prior to step 5!