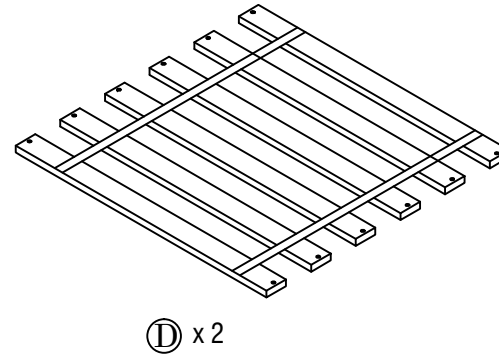
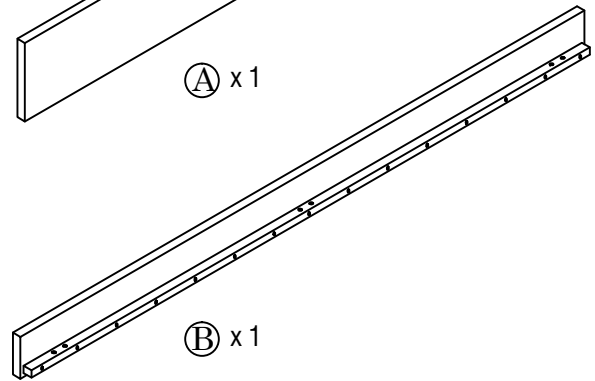
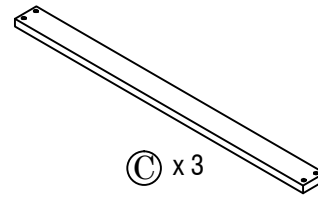
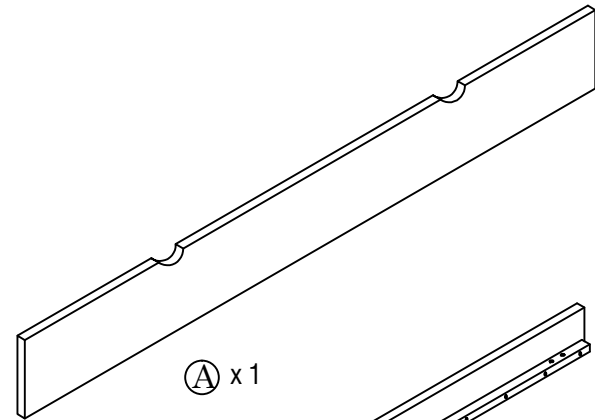
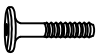
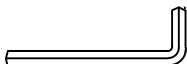
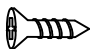

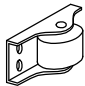




King Single Trundle Bed

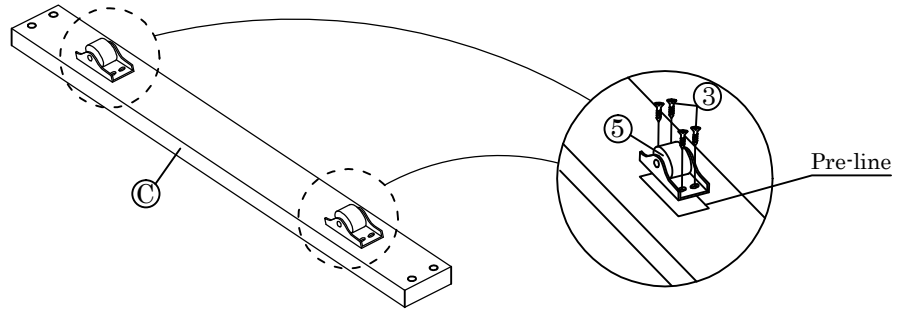


1.	x 12	2.	x 1	3.	x 24	4.	x 24	5.	x 6
									
M6 x 35mm		ALLEN KEY		M3.5 x 16mm		M4 x 32mm		Wheel	


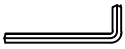
King Single Trundle Bed

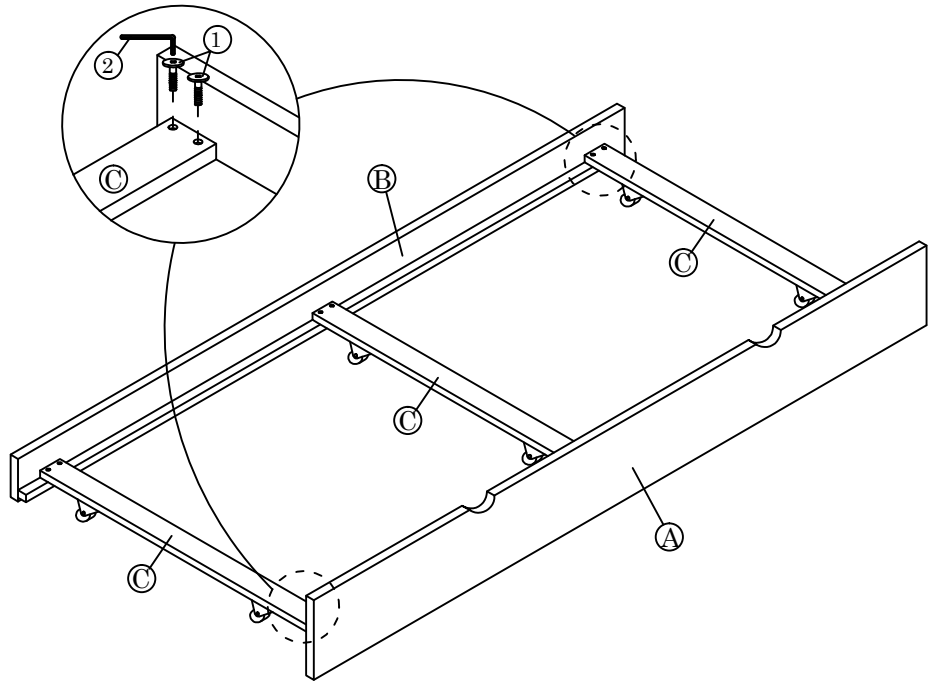
1

- 3.  x 24
M3.5 x 16mm
- 5.  x 6
Wheel



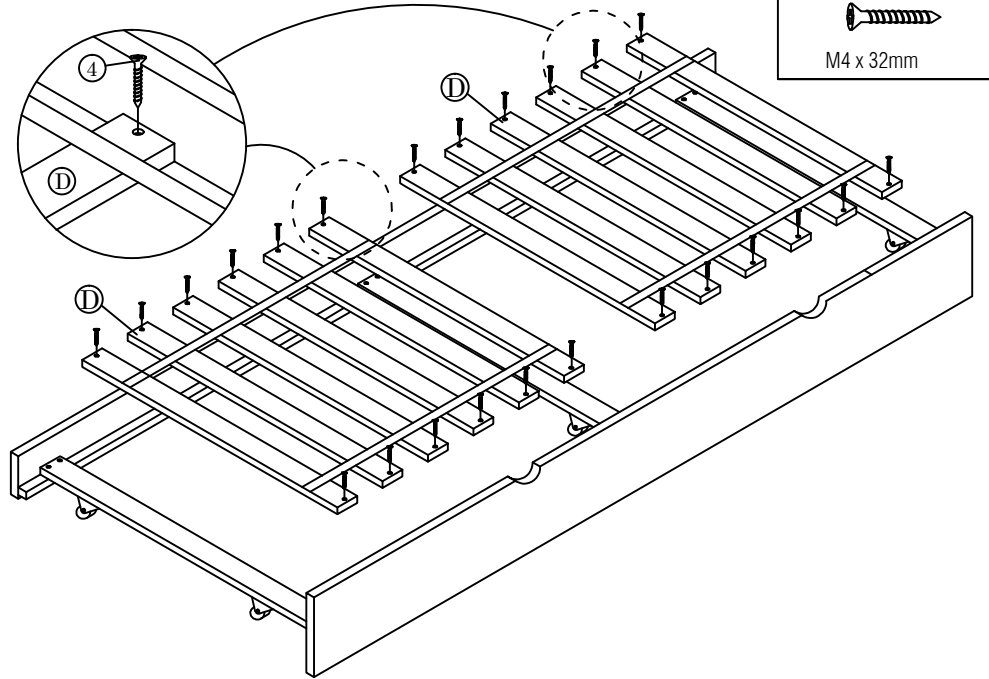
2

- 1.  x 12
M6 x 35mm
- 2.  x 1
ALLEN KEY

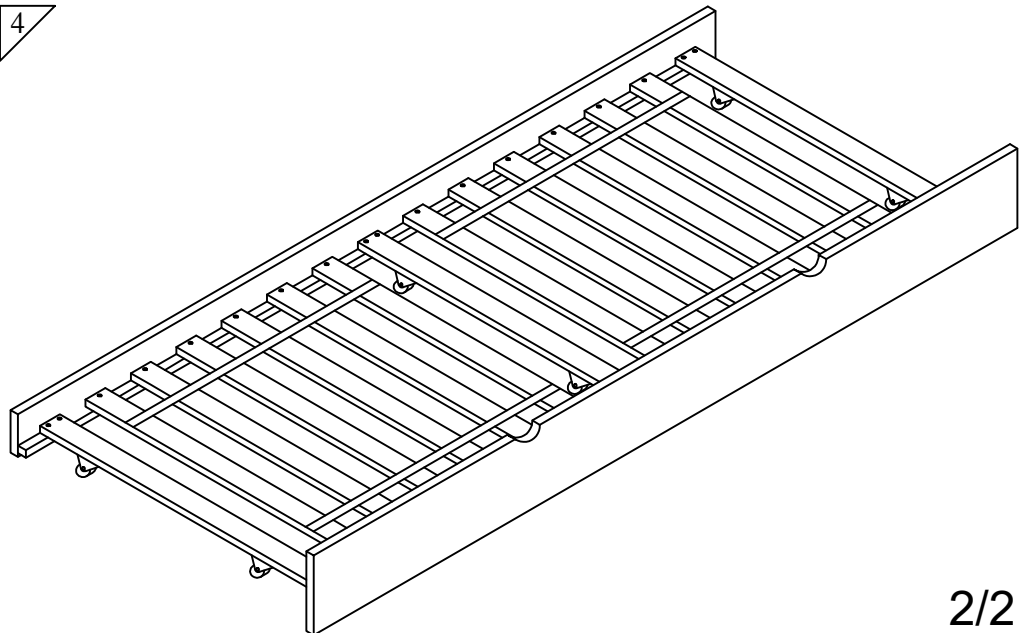


3

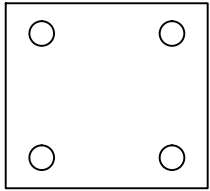
- 4.  x 24
M4 x 32mm



4



King Single Trundle Bed

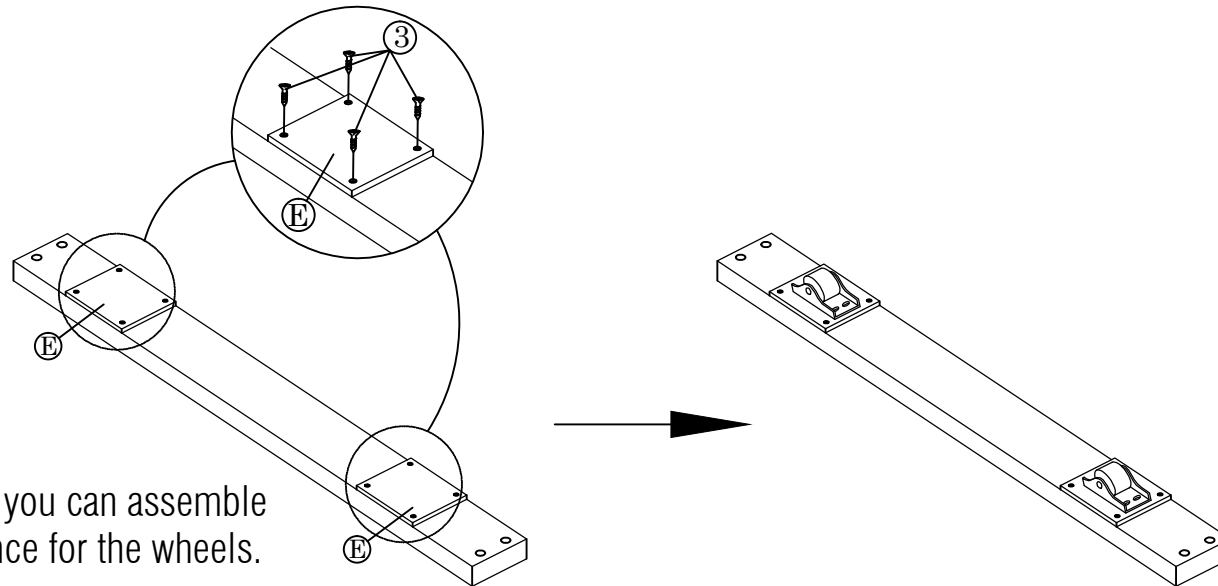


ⓔ x 6

3. x 24



M3.5 x 16mm



*If your carpet is very plush, you can assemble part E to allow extra clearance for the wheels. Assemble prior to step 5!