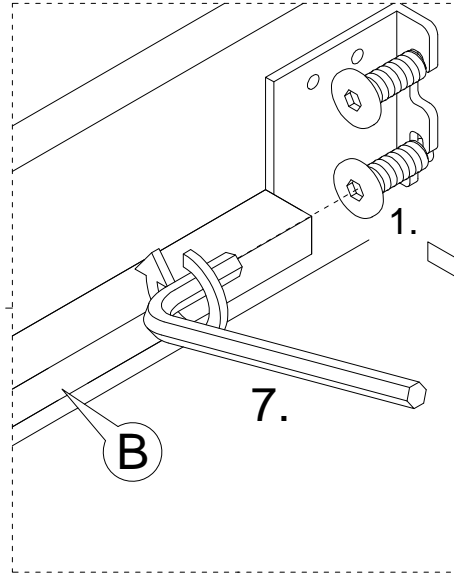
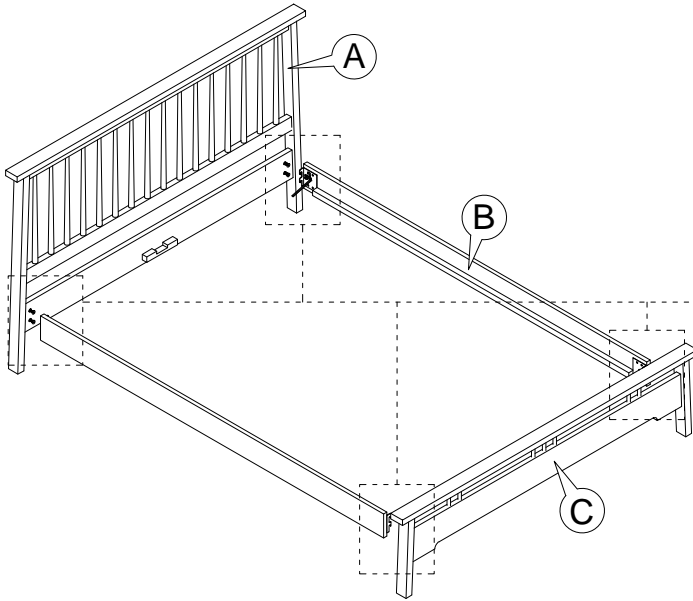


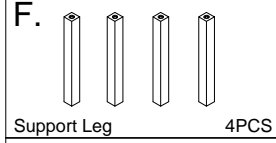
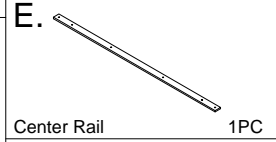
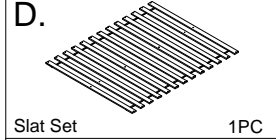
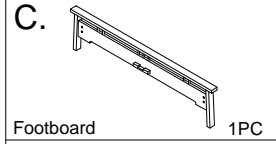
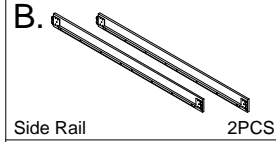
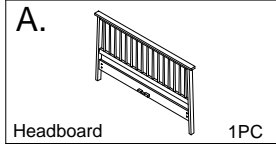
ASSEMBLY TIPS : Remove hardware from box and sort by size. Check that all hardware and parts are present before assembling. Following instruction below in proper sequence to ensure fast, easy correct assembly.

WARNING! : DO NOT FULLY TIGHTEN ALL BOLTS UNTIL ALL PARTS IN PLACE. FAILURE TO FOLLOW THIS INSTRUCTION MAY CAUSE THE BOLTS TO BE MISALIGNED DURING THE ASSEMBLY.

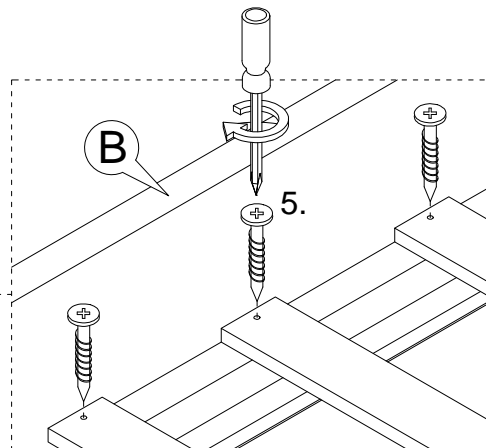
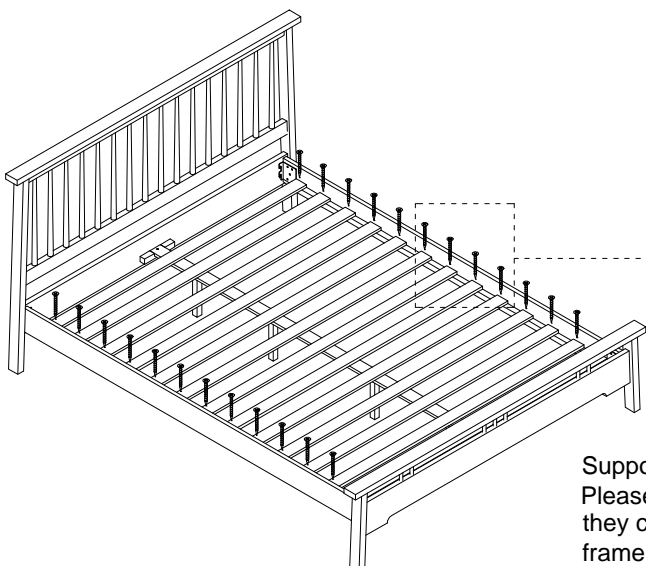
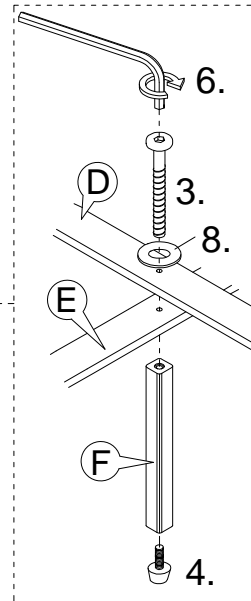
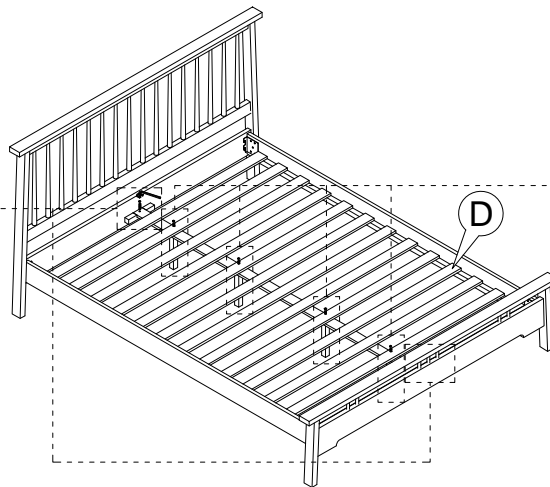
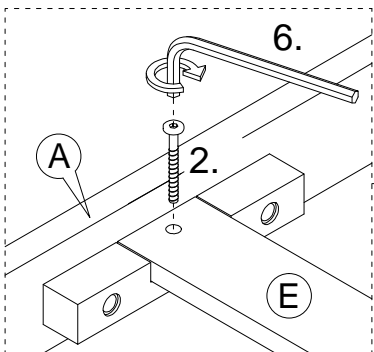
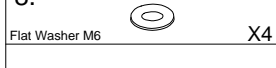
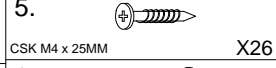
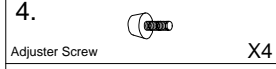
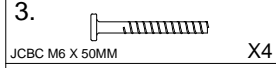
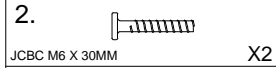
STEP 1



PART LIST



HARDWARE LIST



Support leg should have approx 1cm of space from the floor when installed . Please note, if support legs are in contact with the floor when the bed is not in use, they can prevent the slats from functioning as intended as well as risk damage to the frame.