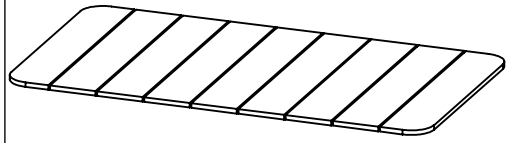


B2C FURNITURE

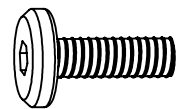
1 = 1x



2 = 4x

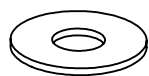


A = 12x



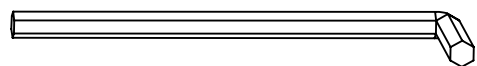
M8x25

B = 12x

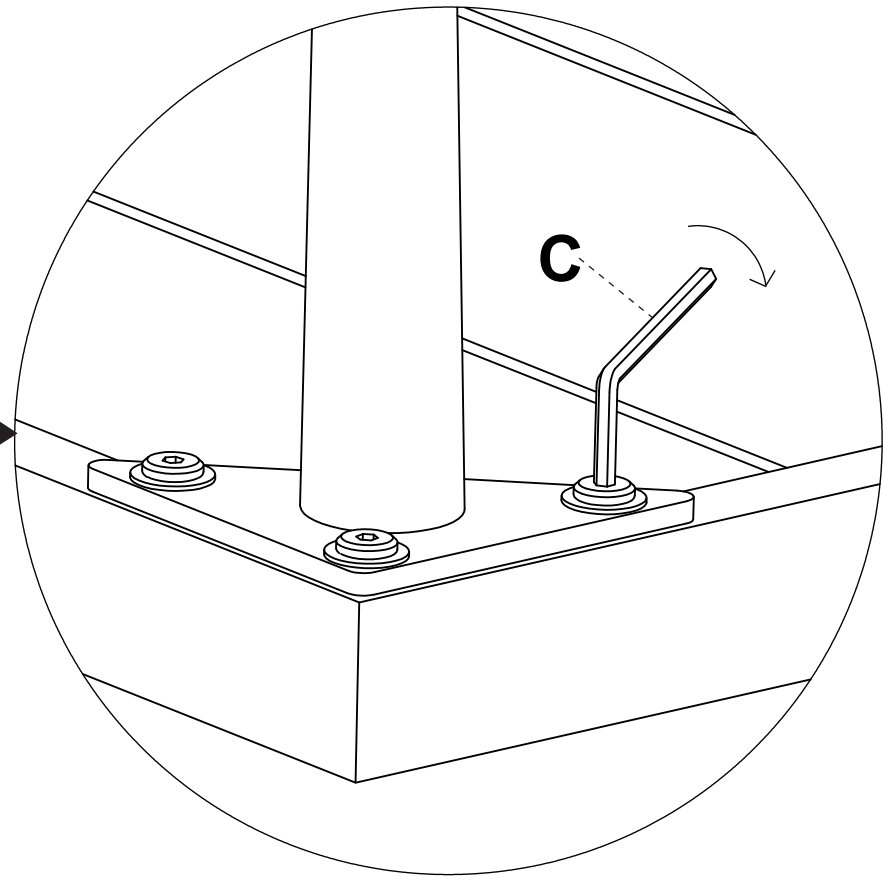
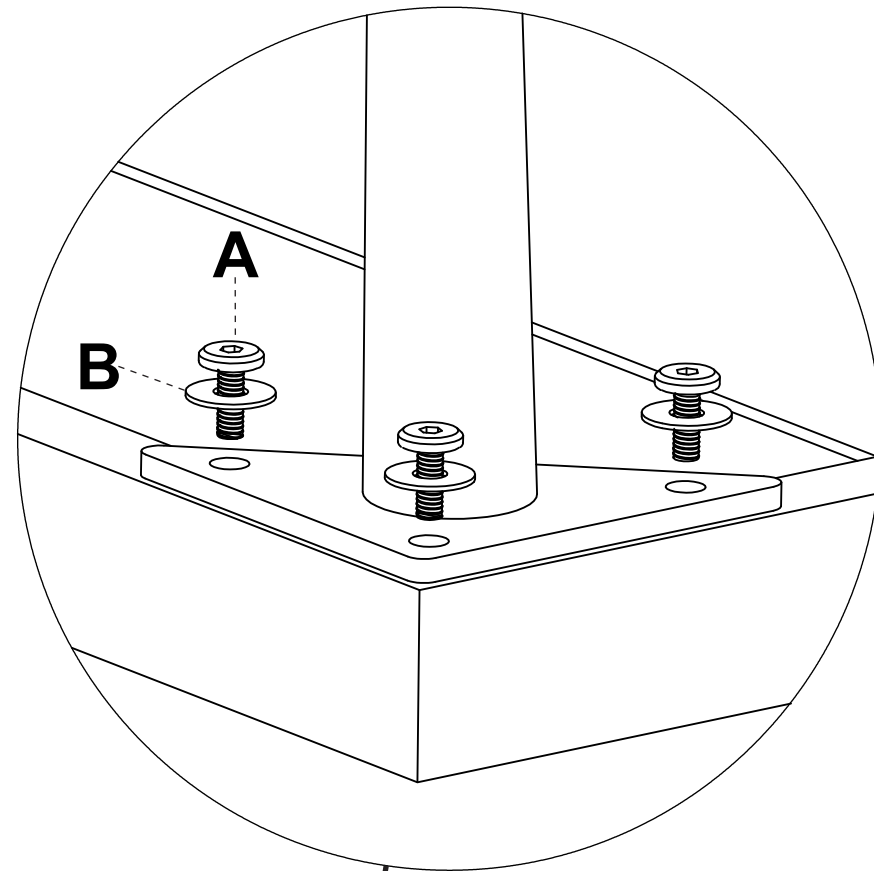


M8

C = 1x



1



X4

