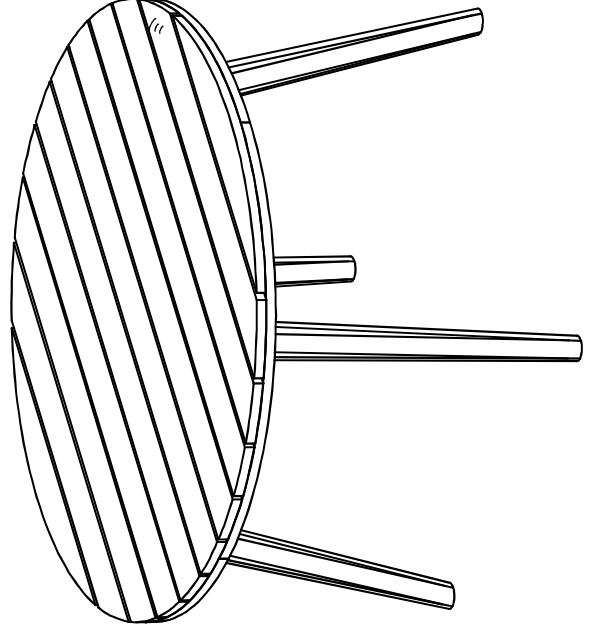
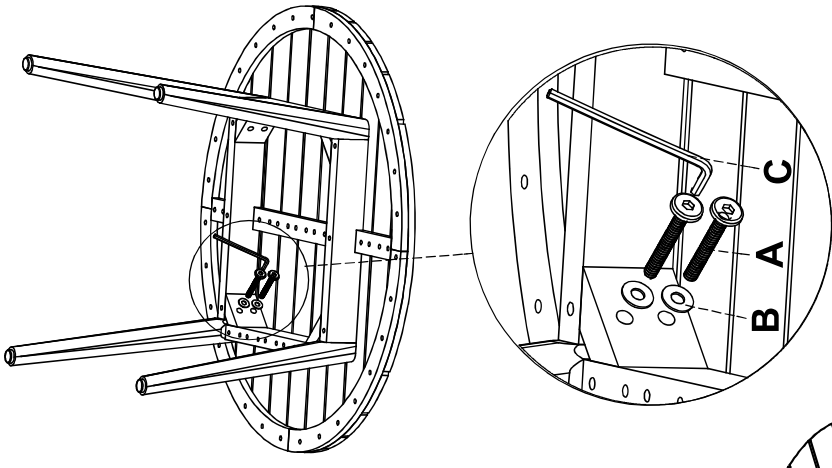
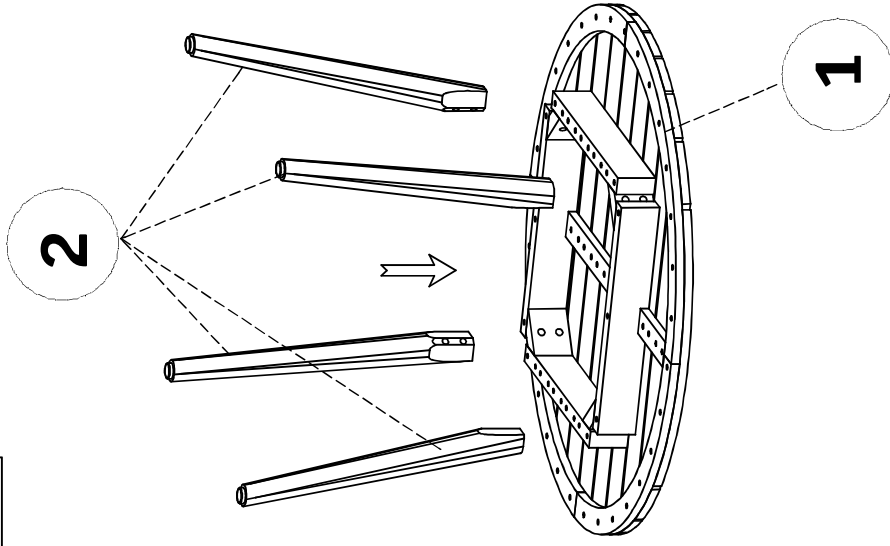


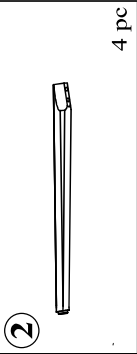
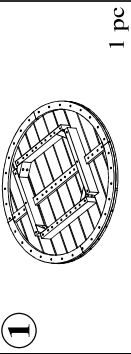
B2C FURNITURE

STEP 1

STEP 2

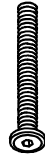


PARTS



HARDWARE LIST

A= (8x)



M6x45

B= (8x)



C= (1x)

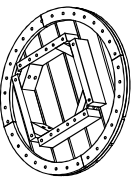

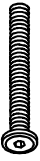




Allen Key

B2C FURNITURE

STEP 1

STEP 2

PARTS	
	1 pc
	4 pc
HARDWARE LIST	
	A= (8x) M6x45
	B= (8x)
	C= (1x) Alen Key

