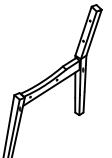

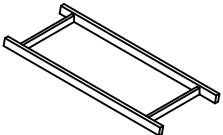

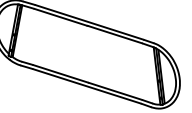
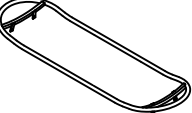






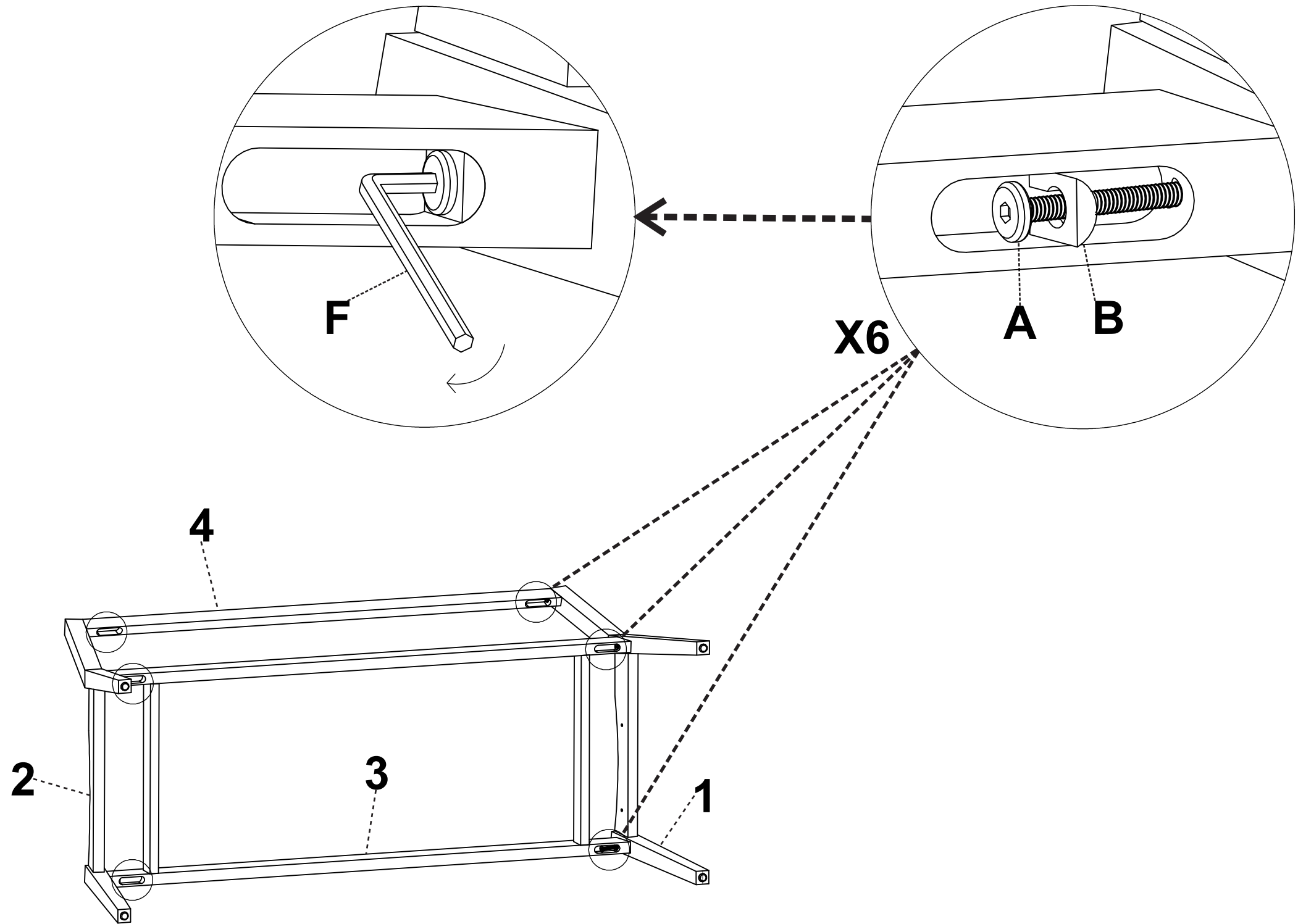


# B2C FURNITURE

1 = 1x	
2 = 1x	
3 = 1x	
4 = 1x	
5 = 1x	
6 = 1x	
A = 6x	 M6x55
B = 6x	
C = 4x	 M6x40
D = 4x	 M6x20
E = 8x	 M6
F = 1x	

1



2

