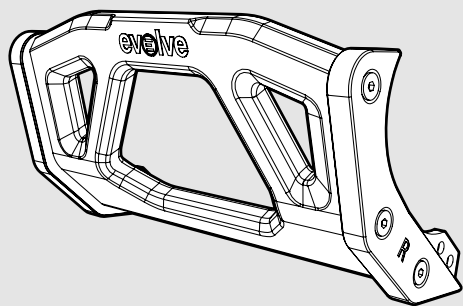


FORCE BASH GUARD KIT INSTALLATION GUIDE

FOR 3000W AND 1500W DRIVE SYSTEMS



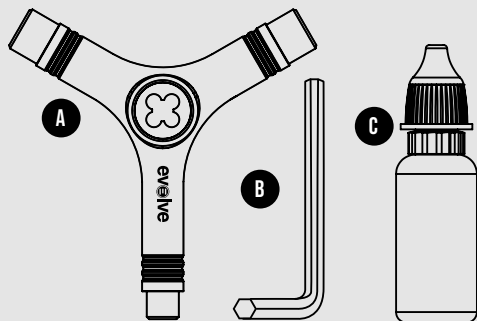
evolve

For a video guide for this installation, please refer to our YouTube channel.
[youtube.com/evolve skateboards](https://www.youtube.com/evolve skateboards)



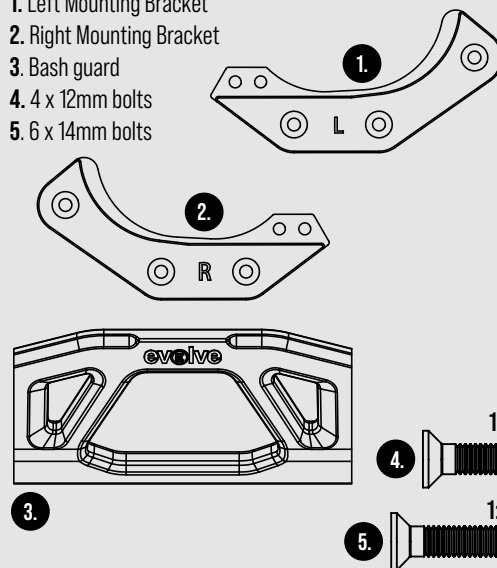
YOU WILL NEED:

- A. Skate Tool
- B. 1/8 Hex key
- C. Thread-locker (Such as Loctite)

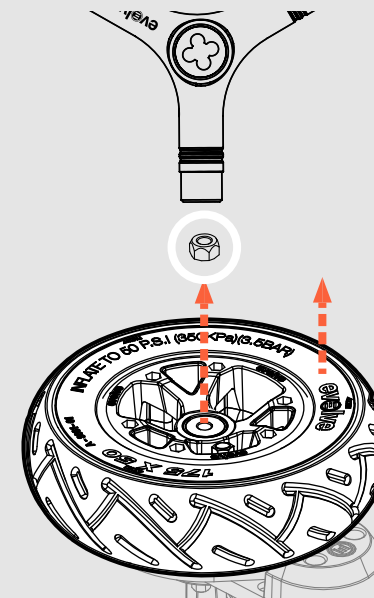


BASH GUARD KIT COMPONENTS:

- 1. Left Mounting Bracket
- 2. Right Mounting Bracket
- 3. Bash guard
- 4. 4 x 12mm bolts
- 5. 6 x 14mm bolts

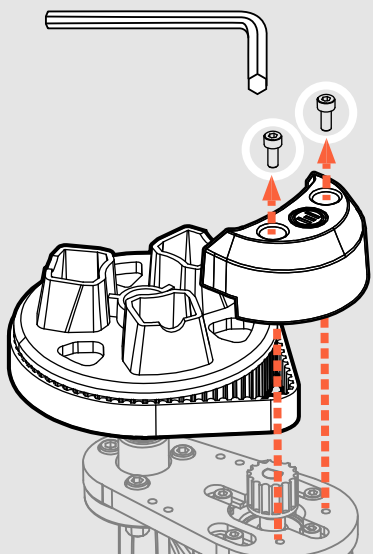


- 01** Place the board on its side. Using the skate tool (A), remove the wheel nut and wheel.



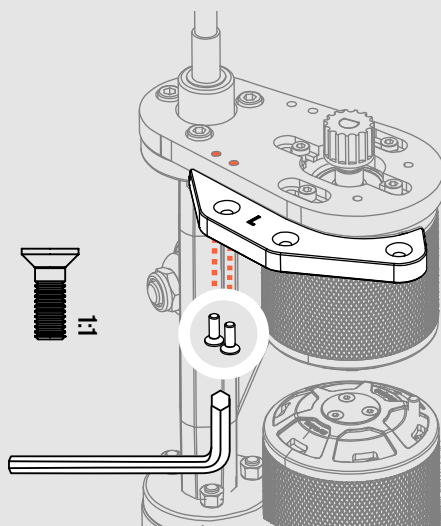
- 02** Using the 1/8 hex key (B) remove the belt cover. Remove drive gear and belt.

Note: Removing the motor may make installing the bash guard plates easier but is not necessary.

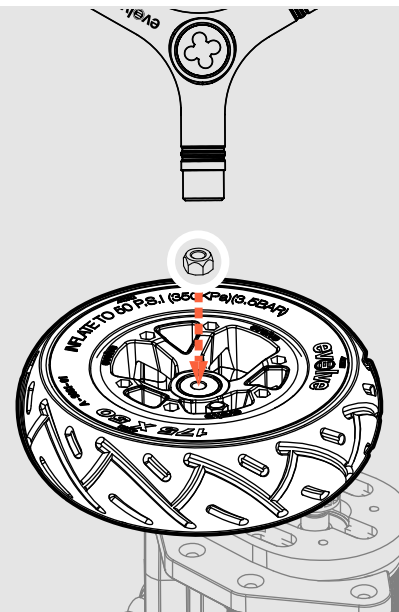


- 03** Using the 1/8 hex key (B), install the Left Plate (1) onto the motor plate with 2 x 12mm bolts (4) provided.

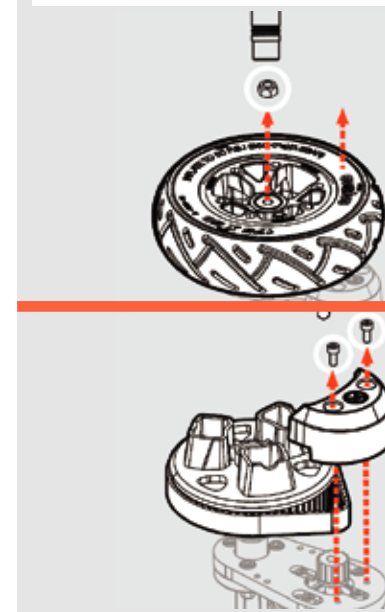
Note: Thread-locker is recommended on these bolts. The plates are side specific, the plate marked L will go on the left side of the board, the plate marked R on the right side of the board, these plates will fit to the bottom of the motor plate and can only go one way.



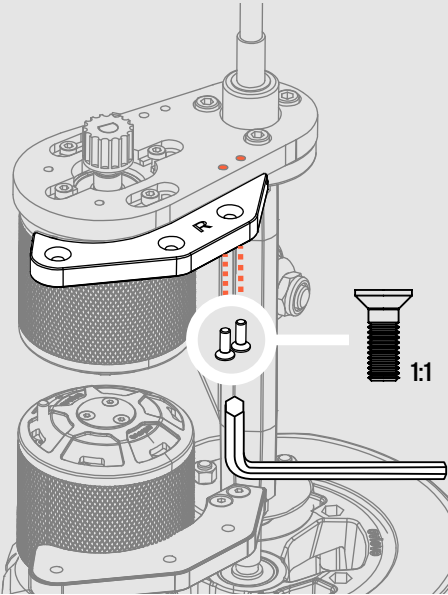
- 04** Reinstall the wheel and loosely install the wheel nut. Turn board to other side.



- 05** Repeat steps 1 and 2 on the other side of the board.

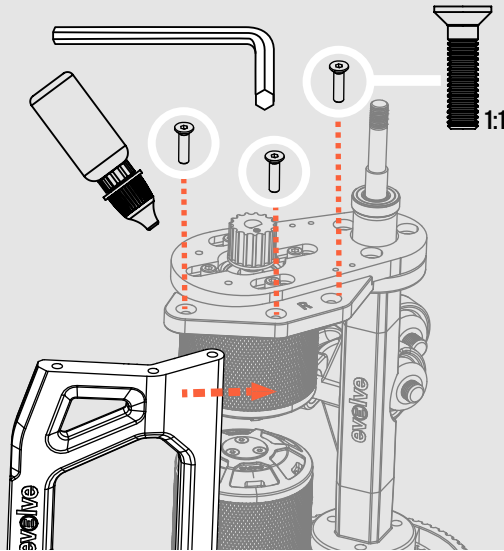


06 Using the 1/8 hex key (B), install the Right Plate (2) onto the motor plate with 2 x 12mm bolts (4).



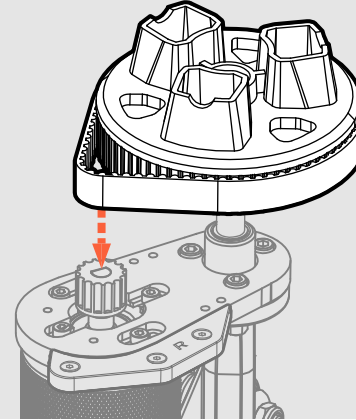
07 Using the 1/8 hex key (B), fit the Bash Guard onto the Right Plate with 3 x 14mm bolts (5).

Note: Thread-locker is recommended on these bolts.

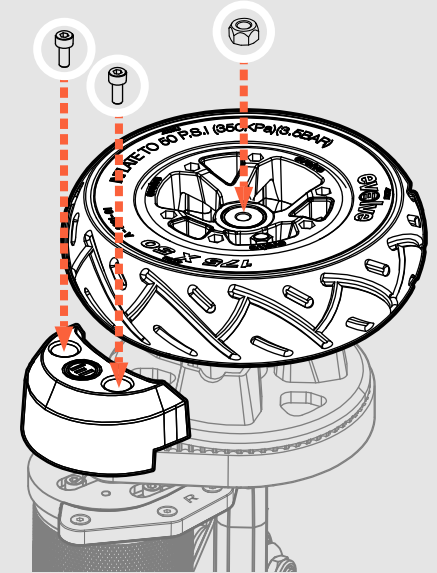


08 Install the motor if removed, then install the belt and gear. Adjust the belt tension as required.

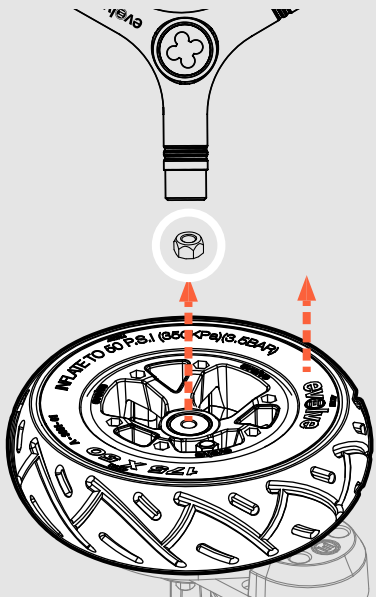
For more information on setting belt tension, please refer to our video tutorial.
youtube.com/evolveskateboards



09 Using the 1/8 hex key (B), install the belt cover and with the skate tool install the wheel and wheel nut.

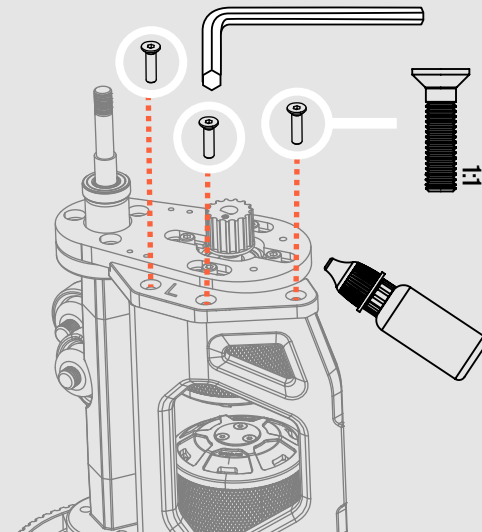


10 Turn board to other side. Remove the wheel nut and Wheel.

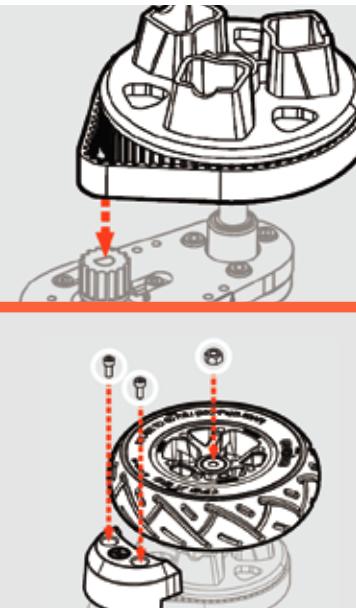


11 Using the 1/8 hex key, fit the Protection Bars onto the Left Plate with 3 x 14mm bolts (5).

Note: Thread-locker is recommended on these bolts.



12 Repeat steps 8 -9 on this side of the board.



LEARN MORE

We have many tutorials and videos on our YouTube channel and website that will assist you.



evolve

RIDEEVOLVE.COM

