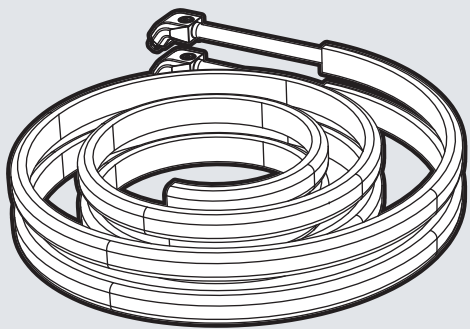


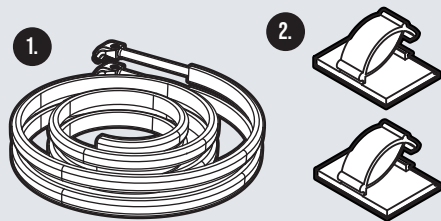
PRISM STRIP INSTRUCTIONS



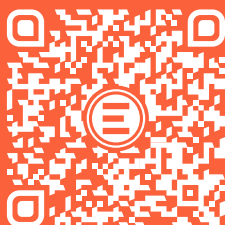
evolve
SKATEBOARDS

PRISM STRIP KIT COMPONENTS:

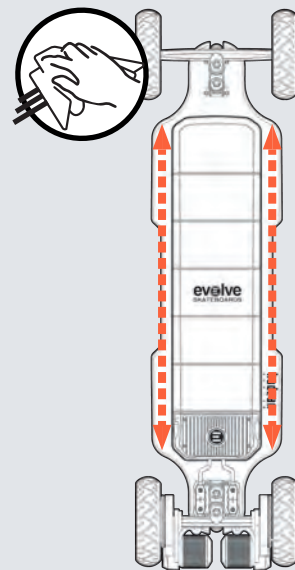
1. 2 X LED Strips
2. 2 X Clips



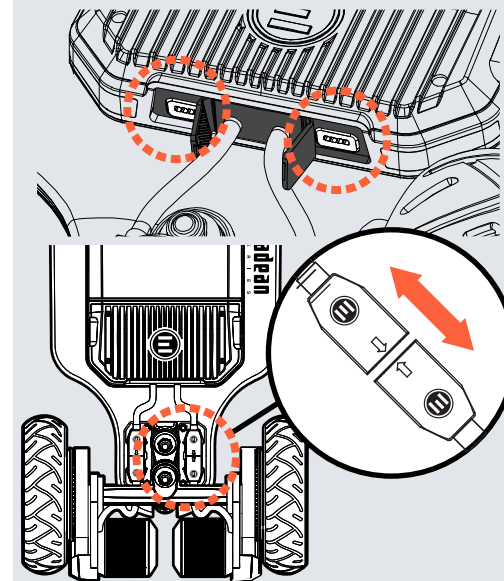
VIDEO GUIDE



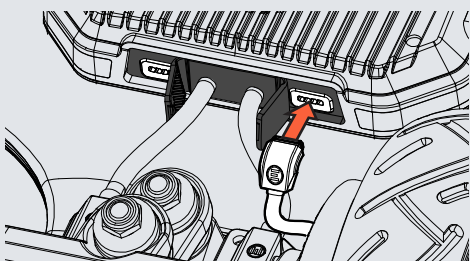
- 01 ENSURE YOUR BOARD IS TURNED OFF.** Clean the surface on the underside of your deck thoroughly to ensure the strongest bond.



- 02** Open the rubber covers to access the rear ports on your board. Remove motor cables from bracket and disconnect.



- 03** Insert the LED Strip connector into the rear port of your board.

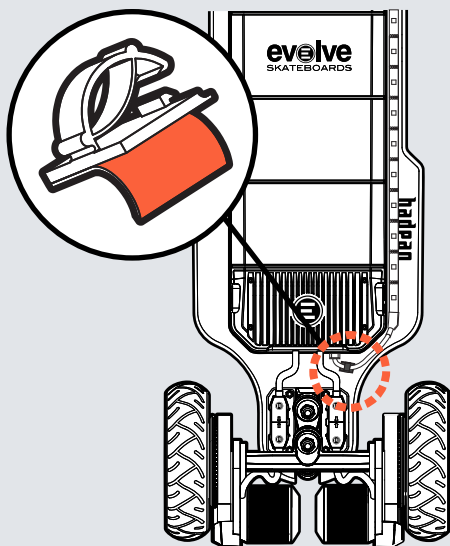


TO ACHIEVE A SECURE CONNECTION THE CABLE WILL NEED TO DEFLECT THE PORT GROMMET ON THE BATTERY ENCLOSURE. YOU MAY NEED TO ANGLE TO CONNECTOR TO SECURE THE CONNECTOR CORRECTLY.

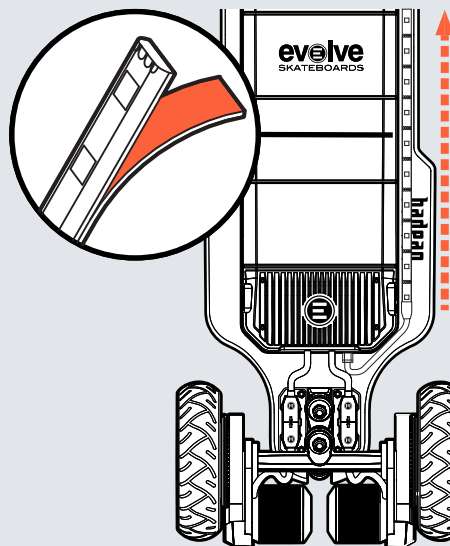
Refer to the video guide for assistance on install.
youtube.com/



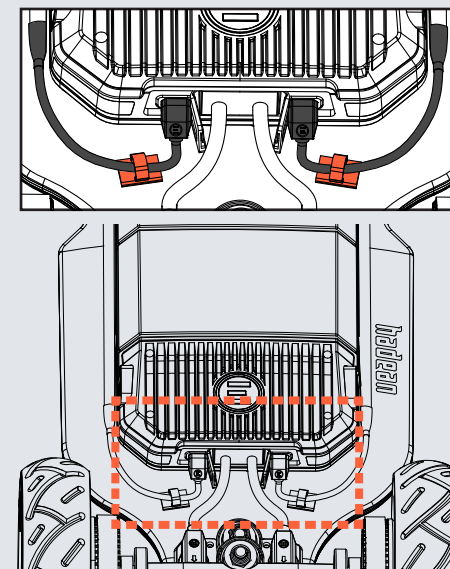
- 04** Peel away the 3M tape from the back of the clip. Now position the clip as per the picture. Push down to secure.



- 05** Peel away the 3M tape from the LED strip. Position the LED strip in a straight line between the battery case and the edge of the deck. Press down to secure.

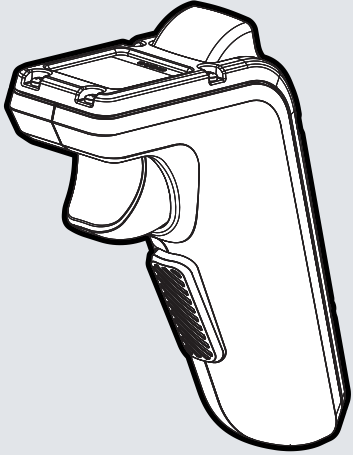


- 06** Repeat steps for the 2nd LED strip. Reconnect the motor cables and reassemble to brackets.

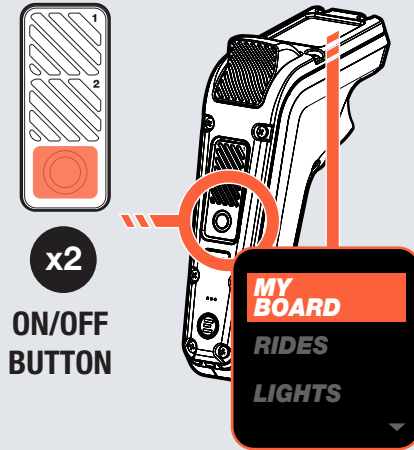


PRISM STRIP CUSTOMISATION

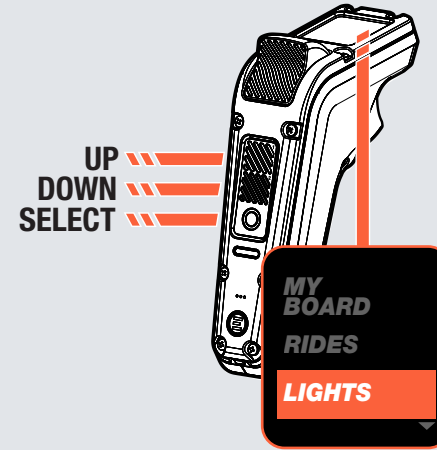
The Prism Strips are controlled with your Phaze remote. You can customise the LED strength, mode and colour through the LED settings menu.



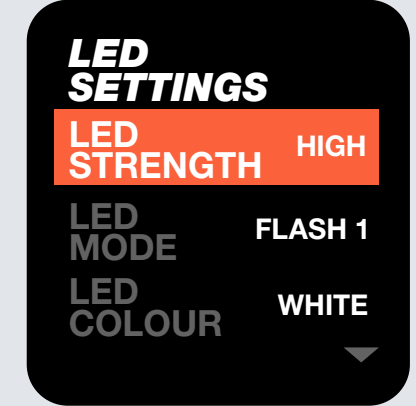
01 With the Phaze remote on, double-tap the ON/OFF button to access the menu.



02 Scroll by pressing the Mode buttons to 'LIGHTS', then press the ON/OFF button to confirm selection



03 Scroll through the LED options to select your preference, then press the ON/OFF button to confirm selection.

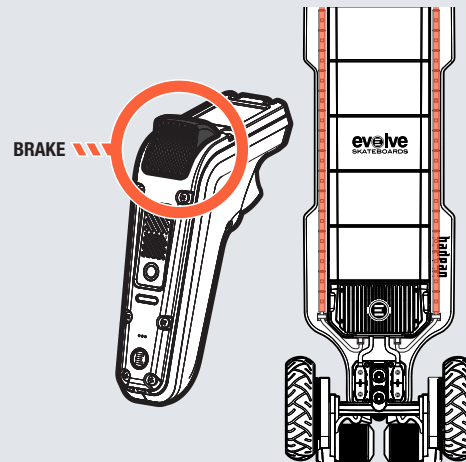


04 Double tap the SAFETY SWITCH to go back to the previous menu screen or scroll to 'EXIT' and press the ON/OFF button to return to the default ride screen.



BRAKE LIGHTS

The Prism Strips will respond to your braking, automatically activating a red brake light when the Phaze brake trigger is engaged.



EXPLORE BY EVOLVE

For custom colour options and further customisation of your Evolve riding experience download the Explore by Evolve App.



LEARN MORE

We have many tutorials and videos on our YouTube channel and website that will assist you.



evolve
SKATEBOARDS

WWW.EVOLVESKATEBOARDS.COM