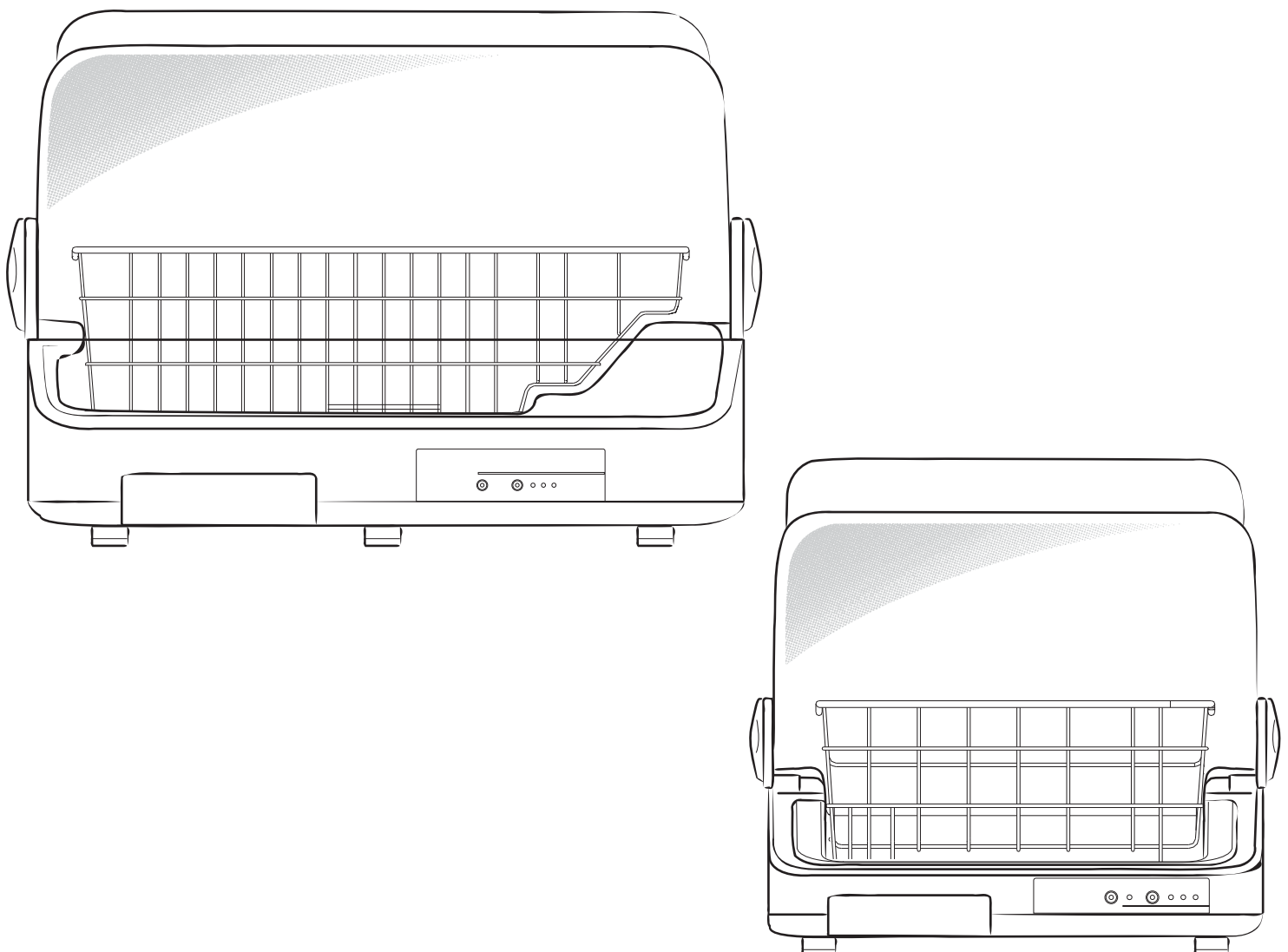


Hurricane CPAP Supplies Dryer

USER GUIDE

This appliance is not intended for use by persons (including children) with reduced physical, sensory or mental capabilities, or lack of experience and knowledge, unless they have been give supervision or instruction concerning use of the appliance by a person responsible for their safety. Children should be supervised to ensure that they do no play with the appliance.

Congratulations on your purchase of the Hurricane CPAP supplies dryer. This device was developed by clinicians in the sleep medicine field who understand the challenges of drying CPAP supplies once they've been cleaned in sleep testing facilities and in CPAP user's homes. The Hurricane works on the simplest principle without fancy technology by gently moving warmed air across the surface of the wet items in a contained cabinet. Now you can just place the items in the basket, close the see-through lid, push the adjustable timer and walk away. The unit will do the rest and shut off when your selected time has expired. The best feature is the items stay in a protected cabinet until you are ready to remove them. No more hanging your masks and tubing on the door, IV poles or in the shower to drip dry.



IMPORTANT SAFETY INSTRUCTIONS

READ AND SAVE THESE SAFETY INSTRUCTIONS BEFORE USING THIS HURRICANE CPAP SUPPLIES DRYER.

This appliance has a polarized plug (one blade is wider than the other).

To reduce the risk of electric shock, this plug is intended to fit in a polarized outlet only one way.

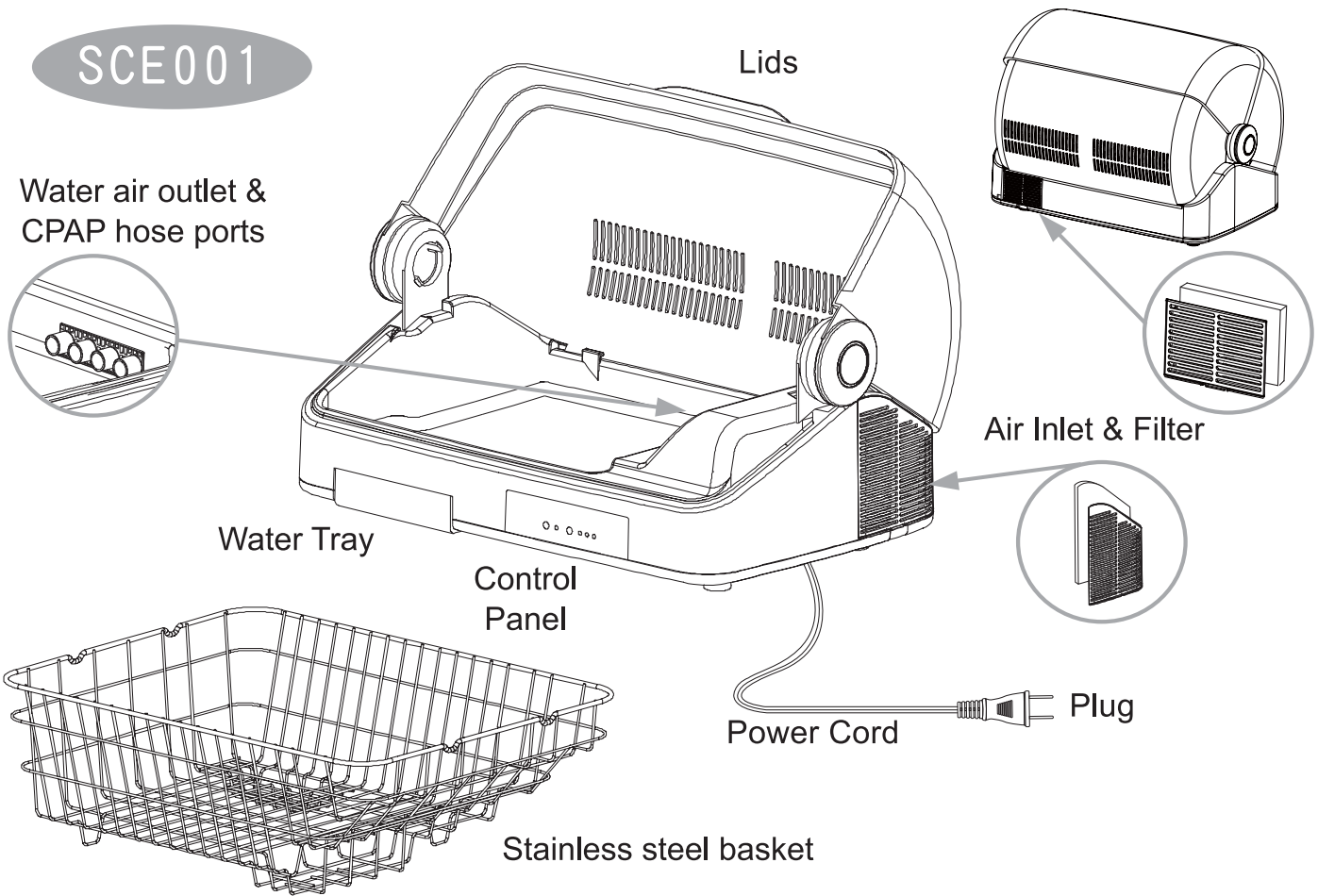
If the plug does not fit fully in the outlet, reverse the plug. If it still does not fit, contact a qualified electrician. Do not modify the plug in any way.

When using electrical appliances, basic precautions should always be followed to reduce the risk of fire, electric shock, and injury to persons. The basic precautions include the following:

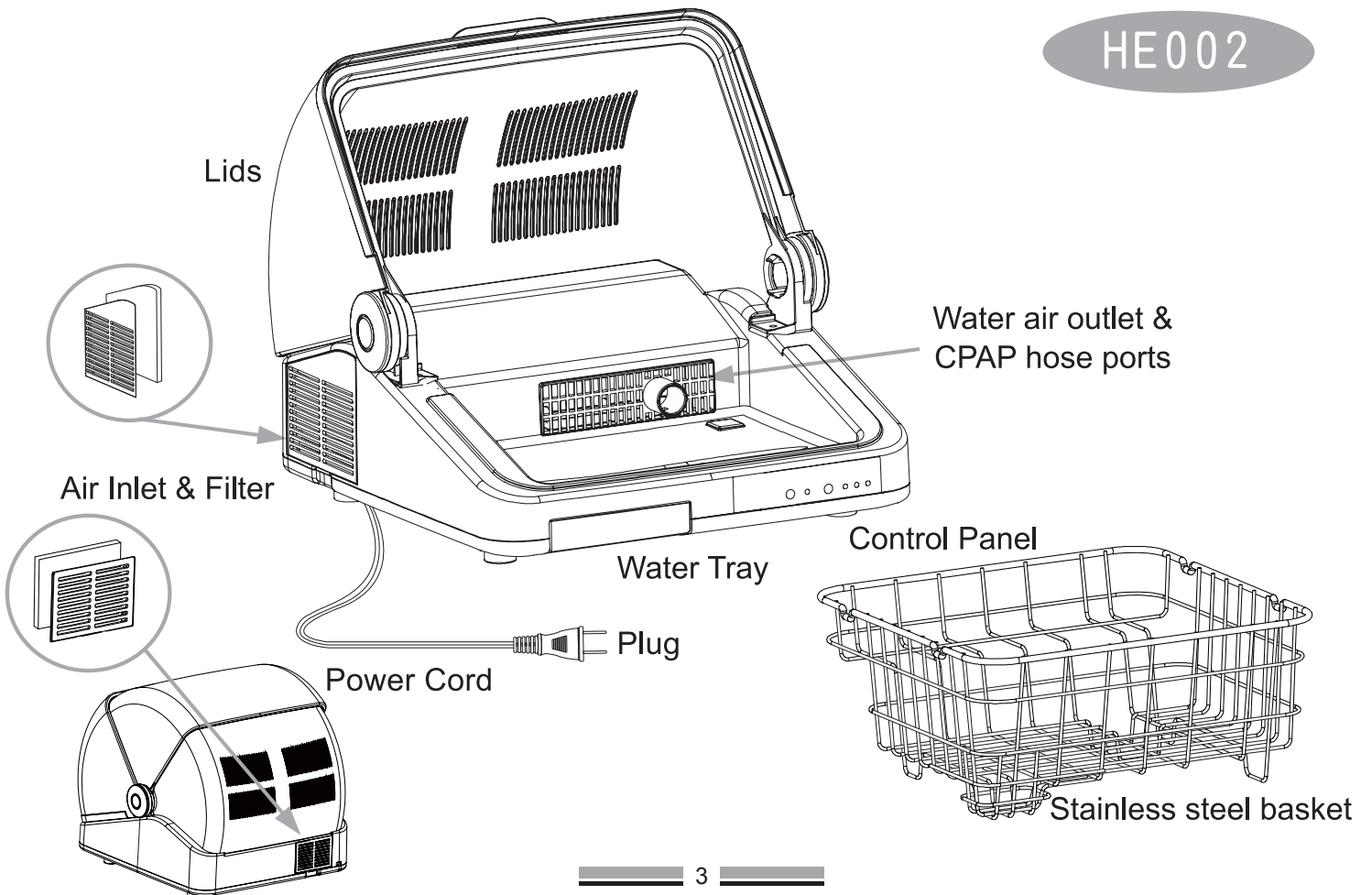
1. Always place this Hurricane CPAP Supplies Dryer on a firm, flat and level surface. This Hurricane CPAP Supplies Dryer may not work properly on an uneven surface.
2. Place this Hurricane CPAP Supplies Dryer in an area where is not accessible to children. Do not cover it.
3. Do not place the Hurricane CPAP Supplies Dryer near any heat sources, such as stoves, radiators or heaters, very humid or freezing areas.
4. Do not move this Hurricane CPAP Supplies Dryer while it is operating. Unplug and then take out the supplies before moving it.
5. Do not load too heavy.
6. Do not put painted and non-heat-resistant objects in this Hurricane CPAP Supplies Dryer.
7. Make sure to use the enclosed stainless steel basket.
8. Do not block the warm air outlet. It will damage the Hurricane CPAP Supplies Dryer.
9. Do not pour water into the warm air outlet.
10. Do not immerse any part of the appliance in water or other liquid.
11. Do not touch the warm air outlet.
12. Clean the Hurricane CPAP Supplies Dryer at least weekly and as needed.
13. BEFORE using the Hurricane CPAP Supplies Dryer, check the power cord for any signs of damage. If the cord is found damaged, DO NOT use the Hurricane CPAP Supplies Dryer and return it to the manufacturer for repair.
14. Plug the Hurricane CPAP Supplies Dryer into a 120V AC power outlet. Never pull the plug by the cord.
15. A loose fit between the AC outlet and plug may cause overheating and distortion of the plug. Contact a qualified electrician to replace the loose or worn outlet.
16. When a drying session has been completed by the dryer, the supply basket may still be warm to the touch.

PART LIST

SCE001



HE002



OPERATION

How does this Hurricane CPAP Supplies Dryer work?

Air passes through the heating system and is warmed. The warmed air comes out from the warm air outlet, fills up the cabinet of the Hurricane CPAP Supplies Dryer, and then statically dries the CPAP supplies.

1. Select a firm, level and flat location – at least 15cm from any wall or objects for enough airflow.
2. Plug the Hurricane CPAP Supplies Dryer into a 120V AV outlet.
3. Press the left soft button on the control panel once and the dryer will power on. The “ON/OFF” power indicator and 15 (mins) timer indicator will light up at the same time. The dryer will run for 15 minutes and then shut off automatically.
4. There are three settings that you can choose from: 15 minutes, 30 minutes or 60 minutes. To change timer setting, simply press the right soft button on the control panel till the desired timer indicator lights on.
5. If you select 60-minute drying time, there will be extra 10-minute warm-up time for the dryer to reach the setting temperature.
6. Once the setting time is up, the power indicator and heating element will shut off automatically. However, the fan will keep running for one minute after the time is up to prevent the components from overheating.

Recommendations for Best Drying Results:

1. All items placed in the Hurricane dryer should be pulled apart for cleaning and drying. Some examples are:
 - Separate the CPAP humidifier chambers from their base (If the chamber pulls apart according to the manufacturer)
 - Separate the CPAP mask cushion from the mask frame OR nasal pillows. Typically the headgear can remain attached to the mask frame for drying.
 - Place smaller parts in the bottom portion of the basket with the narrower “basket webbing”.
 - Insert just one end of the CPAP hose(s) over the hose-ports. There is a notched hole, which must be kept clear to help evacuate excess water in the tubing on each hose-port. If you are drying CPAP hoses with a pressure-line in them, only place the end of the CPAP hose over the hose-port that does not have the pressure line protruding out of the side of the hose end.

NOTE: The pressure line should be “capped” per the manufacturer when cleaning. The Hurricane may not be able to remove all the moisture from internal pressure lines in CPAP tubing.

OPERATION

- Drying times will vary. The SCE model will typically dry a full basket of CPAP supplies in about one hour depending on the room temperature and relative humidity. You can try lesser times with the adjustable timer to find the best performance for your environment. In some cases, an hour may not be enough time, which you can start a new drying session at your choice of timer settings.

2. Hurricane Sleep Center Edition (SCE model)

- Do not place more than four of each item in the unit for best results at one time: CPAP mask (Pillows system, full-face mask, etc.), headgear, CPAP hose, and humidifier chamber. If you are drying other items such as respiratory belts or EEG nets, then substitute each item for one of the CPAP supply items for best results. Over stocking the dryer basket may result in longer dry times.

3. Hurricane Home Edition (HE)

- You should always clean and dry your CPAP supply items daily, and in some cases weekly according to the manufacturer's recommendations to ensure proper cleanliness.
- Place one CPAP mask (Nasal pillow system), one headgear, one humidifier chamber in the basket for drying, once you have cleaned and rinsed these items. Place one end of the CPAP hose over the hose-port. For best results, pull apart the mask or pillows and the humidifier chamber if applicable per the manufacturer. Typically the headgear can remain attached to the mask frame for drying. A recommended starting setting for the dry time on the home unit is 30 or 60 minutes. You may need to increase or decrease the dry times depending on your home temperature and relative humidity.

VERY IMPORTANT: You should always shake your cleaned wet CPAP supplies over a sink or basin to remove any extra water after cleaning. This prevents large amounts of water from over pooling in the dryer, possibly causing an over-flow of the water tray and potentially preventing the items from becoming thoroughly dry.

Always empty the water tray after each drying cycle of supplies. The CPAP mask/Nasal pillow headgears should be thoroughly squeezed of excess water before placing in the dryer for best results

MAINTENANCE

Check the water tray after each drying session, and pour out water before the tray is full. We recommend that you clean the Hurricane CPAP Supplies Dryer weekly.

Remove the re-washable inlet filters weekly and as needed for cleaning. If the filters begin to appear dirty before a week elapses, remove and clean. Hand wash the filters with a mild soapy solution and warm water, then thoroughly rinse with running water and air dry. If you have a second set of clean and dry filters ready for use, you may dry the recently washed set of filters in the dryer, making sure you have re-installed the dry set of filters back into the dryer cabinet.

WARNING: DO NOT clean the Hurricane CPAP Supplies Dryer with its power on. Electric shock or injury may occur.

TROUBLESHOOTING

Problem:

The Hurricane CPAP Supplies Dryer won't work when you turn it on.

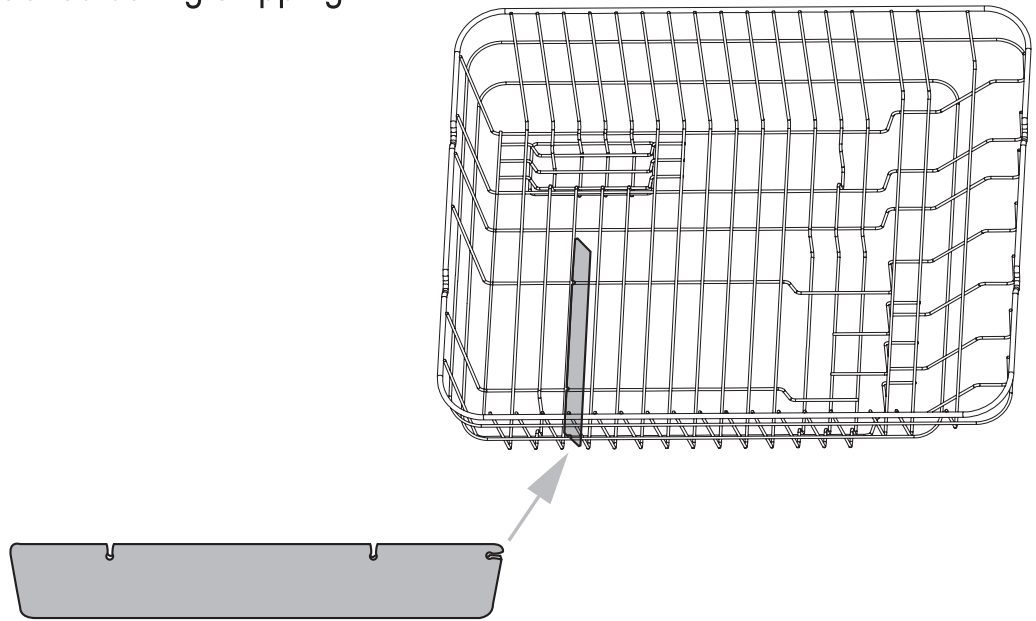
Solution:

Check the power cord is plugged into a 120V AC outlet. If yes, try another 120V AC power outlet. If it still won't work, please contact the Distributor.

SPECIFICATION

Product	SCE001	HE002
Model Number	120V / 60Hz	120V / 60Hz
Power Input	120V / 60Hz	
Power Consumption (Watts)	516	360
Net Weight (lbs)	12.1	7.48
Dimension (inch)	20.7(L) x 15(W) x 15.4(H)	12.5(L) x 13.7(W) x 12(H)

Please note: There is a flat plastic board attached on the stainless steel basket of SCE001. It directs the warm air and improves the performance of the dryer. Reposition the board if it is detached during shipping.



Company: SIESTAMED TECHNOLOGIES

Address: 5235 Mission Oaks Blvd, #970

CAMARILLO, CA 93012

Technical Support Hotline: 1-877-735-6827

Sales Hotline: 1-877-735-6827

Website: www.siestamed.com